

## IMPORTANT INFORMATION

### Encore<sup>®</sup> 60 / 80 / 100

IS1690/IS1691/IS1702

IS1700/IS1701/IS1703



#### **Disconnect electricity supply before installation**

To be installed by qualified personnel only, in accordance with current building and wiring regulations.

When installing, we recommend wearing disposable gloves to avoid fingerprinting to the paint work of the luminaire.

Ensure a minimum 1m clearance between the lens and any objects directly in front of it to prevent overheating.

Read leaflet fully before installation.

Due to the weight of luminaries, ensure suitable fixings are used when installing.

**Hacel**<sup>®</sup>  
Fluent in Lighting

THE SILVERLINK, WALLSEND, NEWCASTLE UPON TYNE,  
TYNE & WEAR, NE28 9ND

Technical: (0191) 280 9914

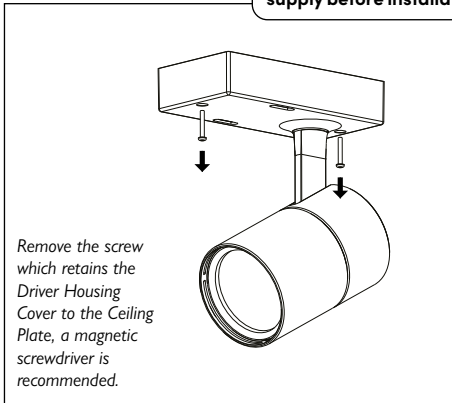
Email: [technical@hacel.co.uk](mailto:technical@hacel.co.uk)

Web: [www.hacel.co.uk](http://www.hacel.co.uk)

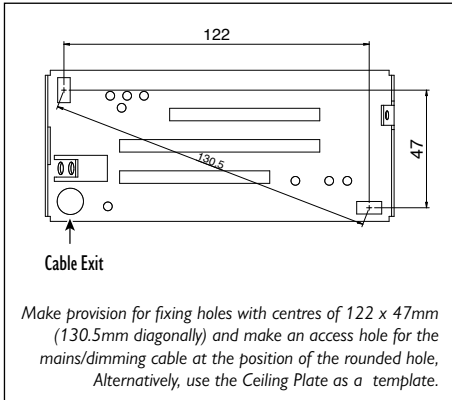
## Installation Surface Version

**Disconnect electricity supply before installation**

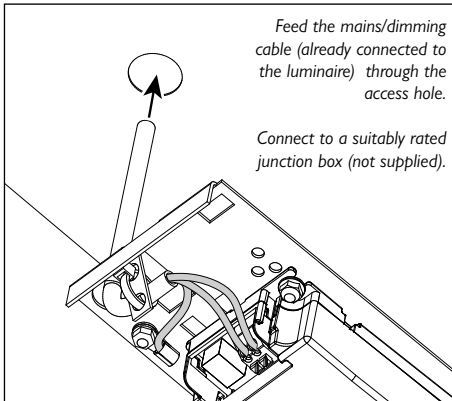
1



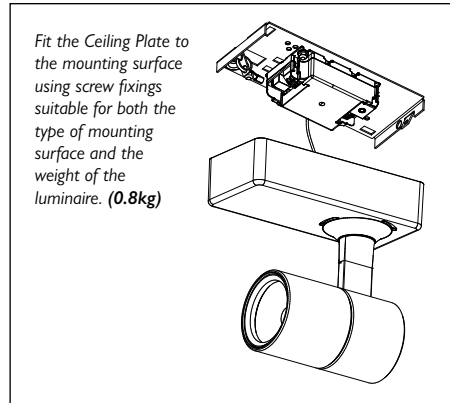
2



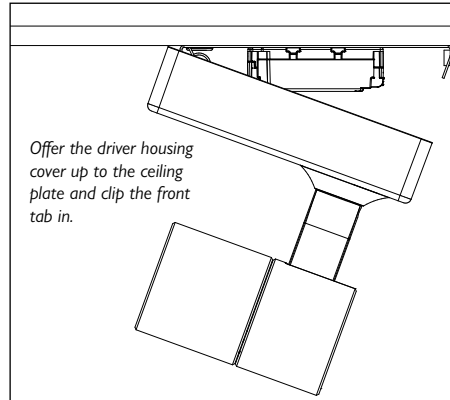
3



4



5



5

