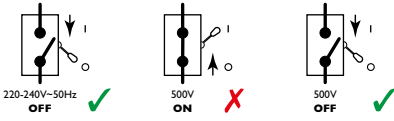


Infinitas Micro Wall Light



IMPORTANT

Disconnect before High Voltage Insulation testing

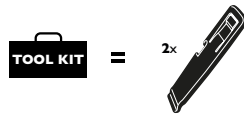
IMPORTANT INFORMATION

- This Document and the Tool Kit must be left on site with the end user
- Disconnect electricity supply before installation / To be installed by qualified personnel only
- **Due to the weight of these luminaires, ensure suitable fixings are used when installing!**
- Before installing please familiarise yourself with the orientation of the Modules Male/Female wiring connections to ensure correct continuity is achieved
- When installing, Hacer recommends wearing disposable gloves to avoid fingerprinting to the paint work of the luminaire

Installation
(2 People)



Solo Modules



Wiring Information

Black	
Brown	
Green/Yellow	
Blue	
Red	
White	

Non Dim/Emergency	DALI Dim/Emergency	Switch Dim/Emergency
Unswitched Live (Emergency)	Unswitched Live (Emergency)	Unswitched Live (Emergency)
Switched Live	Unswitched Live	Unswitched Live
Earth	Earth	Earth
Neutral	Neutral	Neutral
Not used	DALI 1	Not used
Not used	DALI 2	Not used

Maintenance

- Disconnect electricity supply before carrying out maintenance, including cleaning Diffusers.
- Maintenance must be carried out by two persons.
- When removing Modules and Geartrays ensure that they are lowered parallel to the mounting surface.

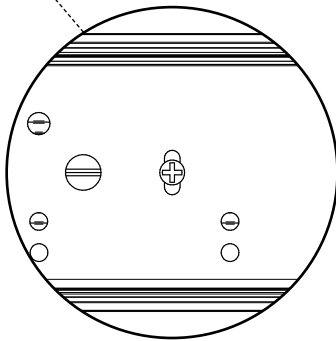
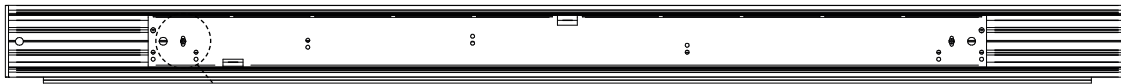
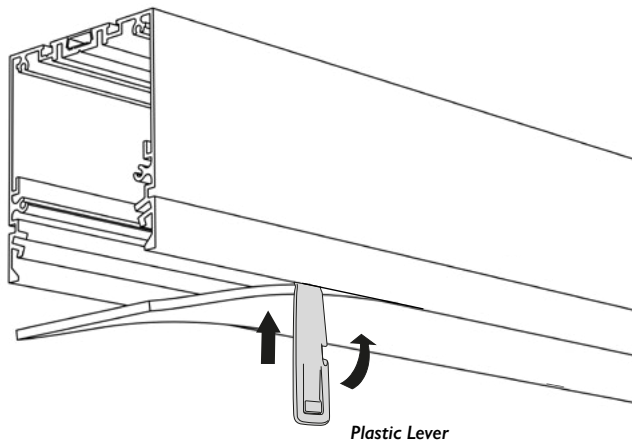
Removing Geartrays (2 persons - only required if using optional central body/wall plate fixing.)

- Remove the Diffuser/Fascia.
- Remove the Geartray fixing screws ensuring that both ends of the Geartray are supported during the procedure.
- The Geartray will then drop free of the Module allowing the electrical connections to be disconnected.



Technical: (0191) 280 9914
Email: technical@hacer.co.uk
Web: www.hacer.co.uk

Infinitas Micro Wall Light

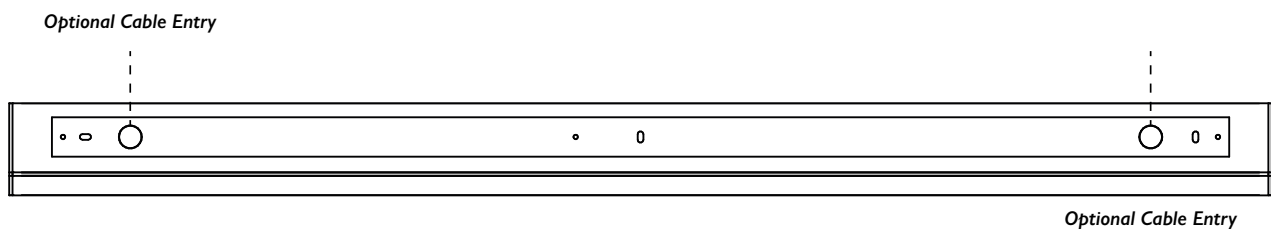


Note: Gear Trays only to be removed if the installer requires a central body/wall plate fixing or replacing emergency gear.

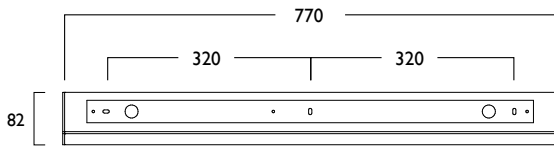
Central body fixing is optional and can be used where mounting surface is not completely flat.

To remove Gear Trays, remove the screws from slots.

Mains/dimming supply cable not supplied.



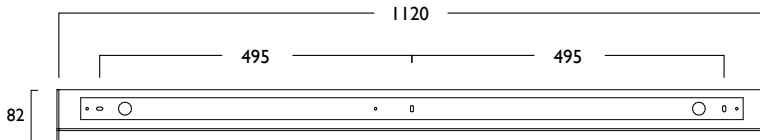
Infinitas Micro Wall Light - Mounting Instructions



230V
50Hz

IP
20

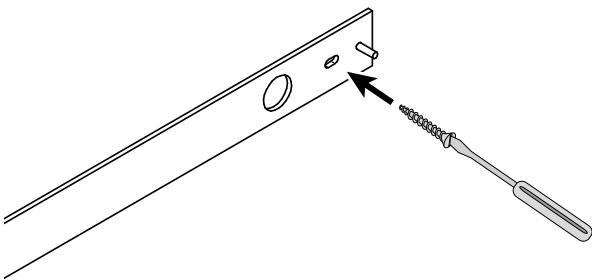
 770mm
2.8 kg



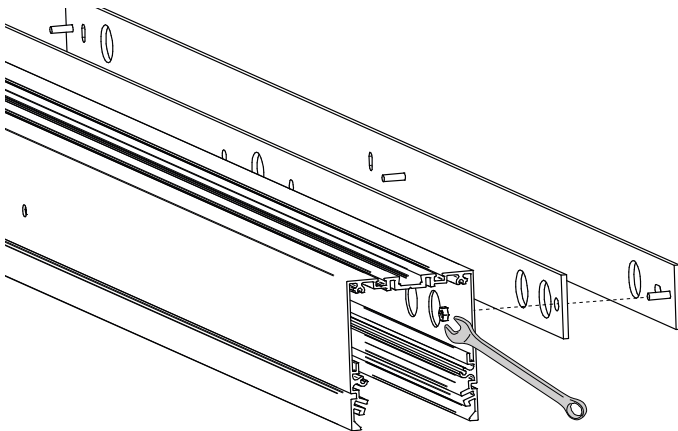
230V
50Hz

IP
20

 1120mm
4.5 kg

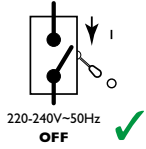


Fix mounting plate to wall using fixing centres for the module length provided above.
Note: Ensure fixings are capable of holding 5x the product weight



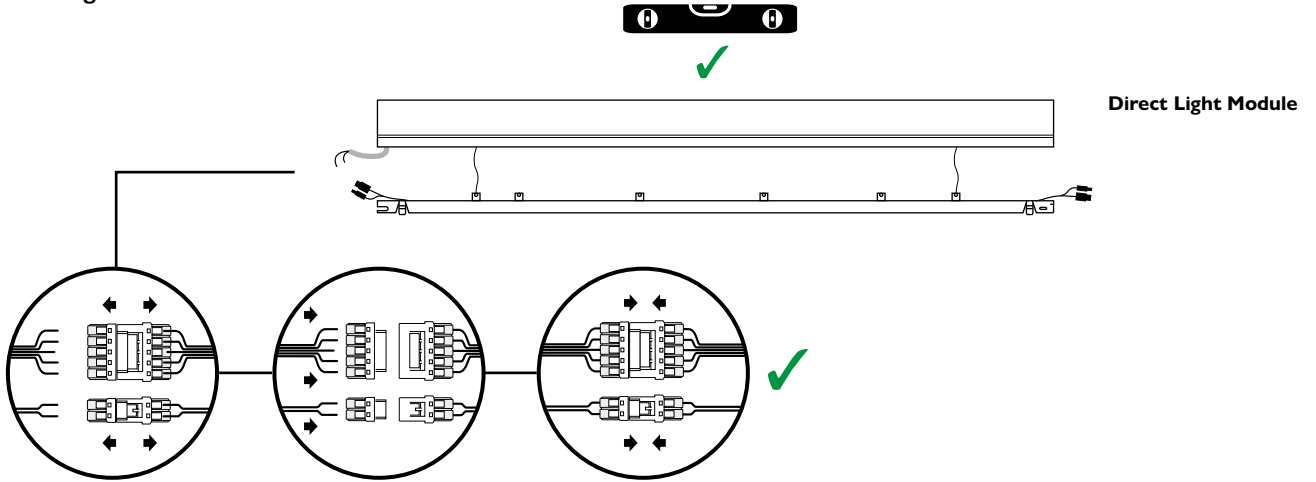
Locate module onto the mounting plate and secure using a spanner.

Infinitas Micro Wall Light - Wiring Instructions



WARNING - Disconnect electricity supply before installation

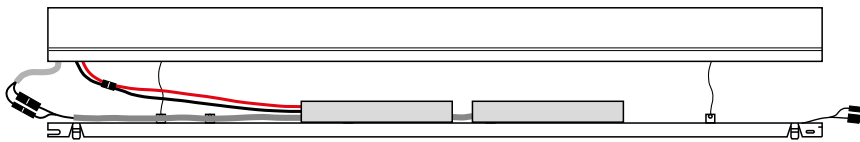
Wiring - Direct Module



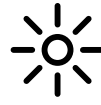
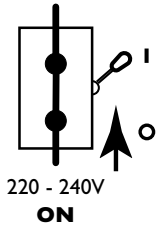
Wire power cable into connectors. (see Wiring Info - page 1)

Additional Socket provided with each Module

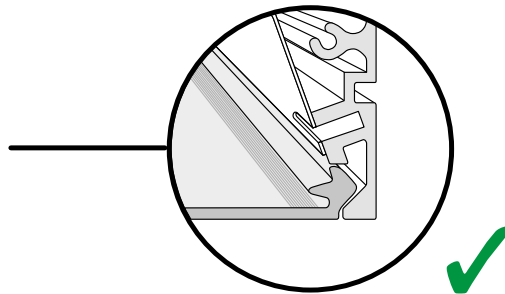
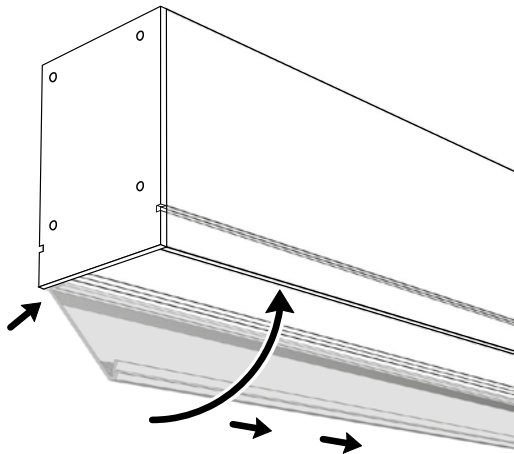
Wiring - Direct Indirect Module



Connect Red & Black wires from Indirect Light to driver

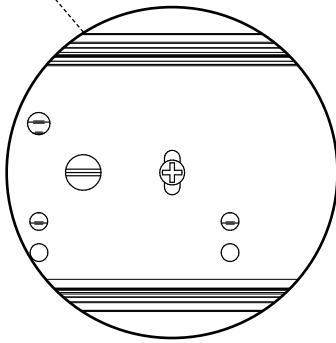
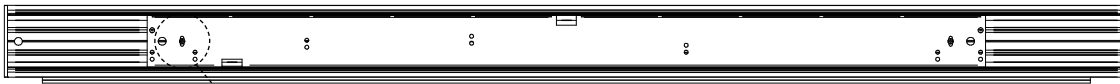
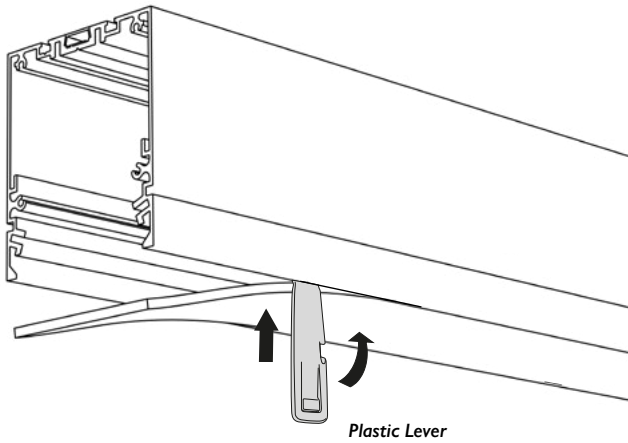


Reconnect the mains supply to ensure all Modules are illuminated correctly.



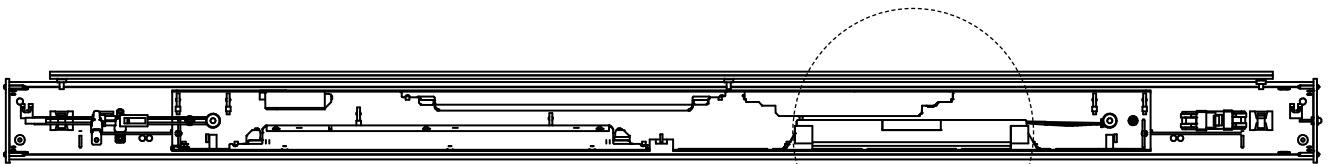
Place hard up against End Cap.

Infinitas Micro Wall Light - Battery Replacement



Note: Gear Trays only to be removed if the installer requires a central body/wall plate fixing or replacing emergency gear.

To remove Gear Trays, remove the screws from slots.



Disconnect battery from the inverter (shown right) and remove screws & nuts.

Replace battery and refit the gear tray and diffuser.

