



## Encore® 80



LED CRI 80

Surface

8W	LED	IS1700	LED	08	+	767
14W	LED	IS1700	LED	14	+	767
19W	LED	IS1700	LED	19	+	767

Three Circuit Track

8W	LED	TT1700	LED	08	+	767
14W	LED	TT1700	LED	14	+	767
19W	LED	TT1700	LED	19	+	767

DALI Track

8W	LED	TD1700	LED	08	+	767
14W	LED	TD1700	LED	14	+	767
19W	LED	TD1700	LED	19	+	767



LED CRI 90

Surface

8W	LED	IS1701	LED	08	+	768
14W	LED	IS1701	LED	14	+	768
19W	LED	IS1701	LED	19	+	768

Three Circuit Track

8W	LED	TT1701	LED	08	+	768
14W	LED	TT1701	LED	14	+	768
19W	LED	TT1701	LED	19	+	768

DALI Track

8W	LED	TD1701	LED	08	+	768
14W	LED	TD1701	LED	14	+	768
19W	LED	TD1701	LED	19	+	768

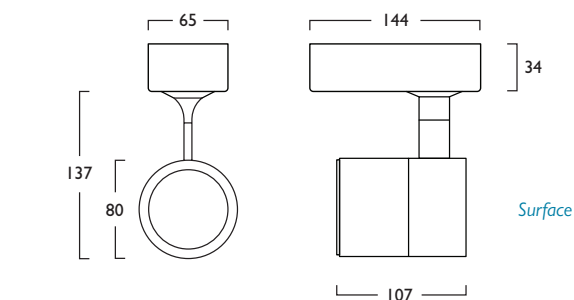
TT versions not suitable for use with Gear Types J & S  
TD versions not suitable for use with Gear Types A & L

■ Add the required lens to code from list shown below

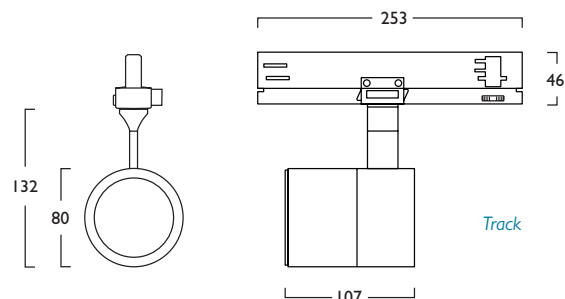
- Ideally suited to Museums, Art Galleries and Retail applications
- Available in a choice of lumen outputs up to 2777 lumens
- Efficacies up to 141 lm/W
- Life expectancy in excess of 60,000 hours (L90 B10)
- Colour stability within 3 MacAdams
- DALI Track versions are eminently suited to diverse, adaptable lighting scenarios.

The Track requires the relevant dimming wiring

- Wireless Lighting Control available
- Lens options available for narrow, medium or wide beam angles



230V 50Hz IP 20 90° 347° 122 x 47mm 1.0 kg Narrow 15° Medium 26° Wide 36°



230V 50Hz IP 20 90° 347° 0.8 kg Narrow 15° Medium 26° Wide 36°

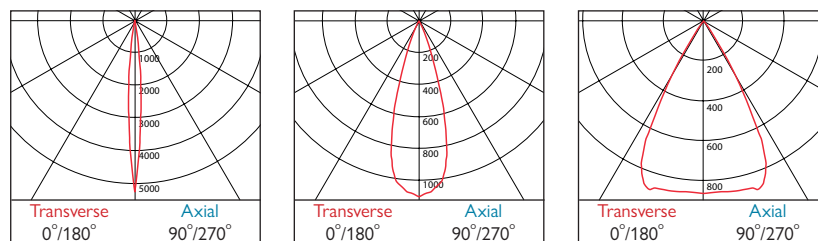
- A Integral Driver/Remote
- J Switch Dim
- S DALI Dim
- L DALI Bluetooth

3 Warm (3000K) 4 Neutral (4000K)

1 White (RAL 9010) 2 Urban Graphite (RAL 7046) 3 Black (RAL 9005)

Lens	CR80	CR90
689 Medium (26°)	767	768
690 Wide (36°)	771	772
691 Narrow (15°)	769	770

### Photometrics



769-770 (15°)

767-768 (26°)

771-772 (36°)

Tel: (0191) 280 9911 Email: technical@hacel.co.uk Web: www.hacel.co.uk V2 - 04/2025

\* All values provided in this document are subject to International standards and electronic components from leading suppliers which are subject to +/- 10% tolerance and apply at an ambient temperature of 25°C. Hacel Lighting look to constantly improve its product and reserve the right to change specifications without prior notification.



## Encore® 80

3	Warm White LED (3000K)	CRI 80	8W	14W	19W
	Delivered Lumens		1152 lm	2046 lm	2690 lm
	LOR		1.0	1.0	1.0
	CRI		80	80	80
	Total Power		8.6W	15.9W	21.5W
	Power Factor		0.95	0.95	0.95
	Running Current		0.04A	0.07A	0.10A
	Inrush Current (Std)		5A (50us)	5A (50us)	5A (50us)
	Inrush Current (Dim)		10A (2.8us)	10A (2.8us)	10A (2.8us)
	Efficacy		134 lm/W	129 lm/W	125 lm/W
	Emergency Output (BLF)		N/A	N/A	N/A

CRI 90	8W	14W	19W	
	Delivered Lumens	932 lm	1651 lm	2170 lm
	LOR	1.0	1.0	1.0
	CRI	90	90	90
	Total Power	8.6W	15.9W	21.5W
	Power Factor	0.95	0.95	0.95
	Running Current	0.04A	0.07A	0.10A
	Inrush Current (Std)	5A (50us)	5A (50us)	5A (50us)
	Inrush Current (Dim)	10A (2.8us)	10A (2.8us)	10A (2.8us)
	Efficacy	108 lm/W	104 lm/W	101 lm/W
	Emergency Output (BLF)	N/A	N/A	N/A

4	Neutral White LED (4000K)	CRI 80	8W	14W	19W
	Delivered Lumens		1196 lm	2116 lm	2777 lm
	LOR		1.0	1.0	1.0
	CRI		80	80	80
	Total Power		8.6W	15.9W	21.5W
	Power Factor		0.95	0.95	0.95
	Running Current		0.04A	0.07A	0.10A
	Inrush Current (Std)		5A (50us)	5A (50us)	5A (50us)
	Inrush Current (Dim)		10A (2.8us)	10A (2.8us)	10A (2.8us)
	Efficacy		139 lm/W	133 lm/W	129 lm/W
	Emergency Output (BLF)		N/A	N/A	N/A

CRI 90	8W	14W	19W	
	Delivered Lumens	1027 lm	1815 lm	2383 lm
	LOR	1.0	1.0	1.0
	CRI	90	90	90
	Total Power	8.6W	15.9W	21.5W
	Power Factor	0.95	0.95	0.95
	Running Current	0.04A	0.07A	0.10A
	Inrush Current (Std)	5A (50us)	5A (50us)	5A (50us)
	Inrush Current (Dim)	10A (2.8us)	10A (2.8us)	10A (2.8us)
	Efficacy	119 lm/W	114 lm/W	111 lm/W
	Emergency Output (BLF)	N/A	N/A	N/A

Note: Figures above refer to standard A gear unless stated

3	Warm White LED (3000K)	CRI 80	8W	14W	19W
	Delivered Lumens		1152 lm	2046 lm	2690 lm
	LOR		1.0	1.0	1.0
	CRI		80	80	80
	Total Power		8.5W	15.6W	21.5W
	Power Factor		0.92	0.95	0.97
	Running Current		0.04A	0.07A	0.1A
	Inrush Current (Std)		3A (60us)	18A (210us)	18A (210us)
	Inrush Current (Dim)		20A (25us)	20A (25us)	20A (25us)
	Efficacy		136 lm/W	131 lm/W	125 lm/W
	Emergency Output (BLF)		N/A	N/A	N/A

CRI 90	8W	14W	19W	
	Delivered Lumens	932 lm	1651 lm	2170 lm
	LOR	1.0	1.0	1.0
	CRI	90	90	90
	Total Power	8.5W	15.9W	21.5W
	Power Factor	0.92	0.95	0.97
	Running Current	0.04A	0.07A	0.1A
	Inrush Current (Std)	3A (60us)	18A (210us)	18A (210us)
	Inrush Current (Dim)	20A (25us)	20A (25us)	20A (25us)
	Efficacy	110 lm/W	104 lm/W	101 lm/W
	Emergency Output (BLF)	N/A	N/A	N/A

4	Neutral White LED (4000K)	CRI 80	8W	14W	19W
	Delivered Lumens		1196 lm	2116 lm	2777 lm
	LOR		1.0	1.0	1.0
	CRI		80	80	80
	Total Power		8.5W	15.6W	21.5W
	Power Factor		0.92	0.95	0.97
	Running Current		0.04A	0.07A	0.1A
	Inrush Current (Std)		3A (60us)	18A (210us)	18A (210us)
	Inrush Current (Dim)		20A (25us)	20A (25us)	20A (25us)
	Efficacy		141 lm/W	136 lm/W	129 lm/W
	Emergency Output (BLF)		N/A	N/A	N/A

CRI 90	8W	14W	19W	
	Delivered Lumens	1027 lm	1815 lm	2383 lm
	LOR	1.0	1.0	1.0
	CRI	90	90	90
	Total Power	8.5W	15.9W	21.5W
	Power Factor	0.92	0.95	0.97
	Running Current	0.04A	0.07A	0.1A
	Inrush Current (Std)	3A (60us)	18A (210us)	18A (210us)
	Inrush Current (Dim)	20A (25us)	20A (25us)	20A (25us)
	Efficacy	121 lm/W	114 lm/W	111 lm/W
	Emergency Output (BLF)	N/A	N/A	N/A

Note: Figures above refer to standard A gear unless stated

Track

Surface