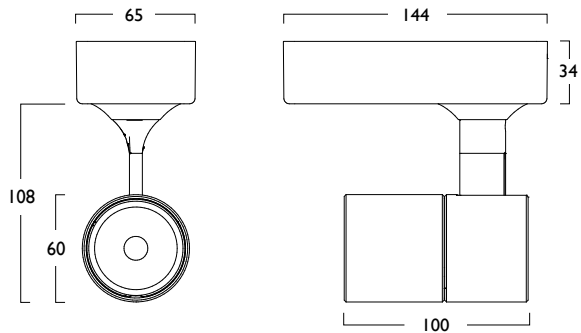


Surface



230V
50Hz

IP
20

90°

347°

0.8 kg

Narrow 15°



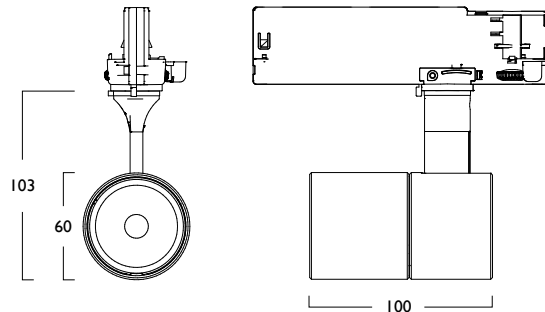
Medium 26°



Wide 36°



Track



230V
50Hz

IP
20

90°

347°

0.8 kg

Narrow 15°



Medium 26°



Wide 36°

