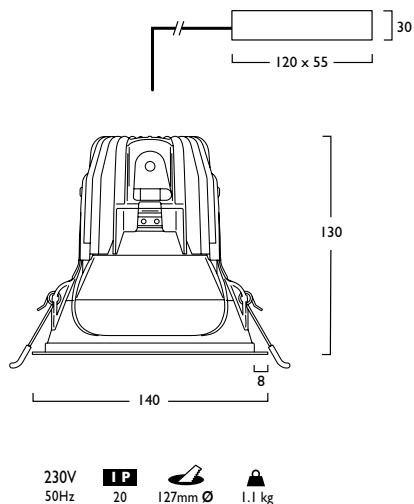




3	Warm White LED (3000K)	CRI 80	7W	12W	17W
	Lumen Output		1148 lm	1971 lm	2738 lm
	LOR		0.81	0.81	0.81
	CRI		80	80	80
	Total Power		7.9W	13.8W	19.1W
	Power Factor		0.52	0.89	0.89
	Running Current		0.02A	0.05A	0.07A
	Inrush Current (Std)		10.0A (115us)	8.0A (80us)	8.0A (80us)
	Inrush Current (Dim)		15.0A (243us)	18.0A (140us)	25.0A (141us)
	Efficacy		117 lm/W	115 lm/W	116 lm/W
	Emergency Output (BLF)		448 lm (34%)	446 lm (22%)	456 lm (16%)
4	Neutral White LED (4000K)	CRI 80	7W	12W	17W
	Lumen Output		1187 lm	2043 lm	2829 lm
	LOR		0.81	0.81	0.81
	CRI		80	80	80
	Total Power		7.9W	13.8W	19.1W
	Power Factor		0.52	0.89	0.89
	Running Current		0.02A	0.05A	0.07A
	Inrush Current (Std)		10.0A (115us)	8.0A (80us)	8.0A (80us)
	Inrush Current (Dim)		15.0A (243us)	18.0A (140us)	25.0A (141us)
	Efficacy		121 lm/W	119 lm/W	119 lm/W
	Emergency Output (BLF)		467 lm (34%)	465 lm (22%)	476 lm (16%)



Figures shown above are based on Gear Type - A Remote Driver

Solsa

LED CRI 80	☀	☾	☐	K	+	▲	▲	▲
	10°	45°	70°					
7W LED ID1344	LED	07	+	727	728	729		
12W LED ID1344	LED	12	+	727	728	729		
17W LED ID1344	LED	17	+	727	728	729		

■ Add required Reflector to code from list shown over

- Discreet bezel for minimalistic aesthetic appearance
- Precision die-cast construction
- Choice of outputs up to 2829 lumens
- Efficacies up to 121 lm/W
- Life expectancy of 50,000 hours (L90 B10)
- Colour stability within 3 MacAdams
- Wireless Lighting Control available
- CRI 90 option available ID1345
- Digital Dim and Digital Dim + Emergency options available

- A Integral Driver/Remote
- E Emergency
- J Switch Dim
- K Switch Dim + Emergency
- S DALI Dim
- T DALI Dim + Emergency
- C DALI Dim + DALI Emergency
- L DALI Bluetooth
- M DALI Bluetooth + Emergency

■ 3 Warm (3000K) 4 Neutral (4000K)

■ 1 White (RAL 9010) 2 Urban Graphite (RAL 7046) 3 Black (RAL 9005)

■ Reflector Options - Examples Shown on page 2

Tel: (0191) 280 9911 Email: technical@hacel.co.uk Web: www.hacel.co.uk V4 - 04/2026

* All values provided in this document are subject to International standards and electronic components from leading suppliers which are subject to +/- 10% tolerance and apply at an ambient temperature of 25°C. Hacel Lighting look to constantly improve it's product and reserve the right to change specifications without prior notification.



Solsa

Options

- **Reflector** Options

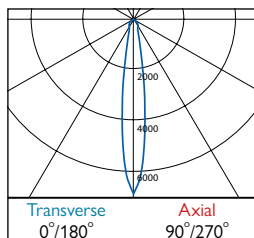


596 Medium Beam 45° (STD)

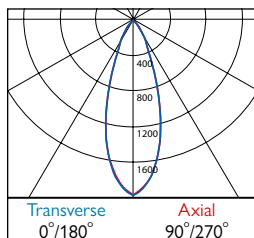
597 Narrow Beam 10°

598 Wide Beam 70°

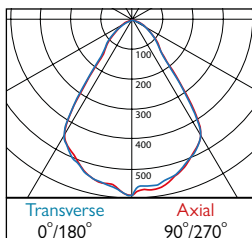
Photometrics



727 DLOR: 0.81



728 DLOR: 0.81



729 DLOR: 0.84