

IMPORTANT INFORMATION

Solenz[®] Surface

SD1371-1372 / SD1377-1378 / SD1379-1380



Disconnect electricity supply before installation

To be installed by qualified personnel only, in accordance with current building and wiring regulations.

The light source and control gear contained within this luminaire should only be replaced by the manufacturer, their agent or a similar qualified person.

When installing, we recommend wearing disposable gloves to avoid fingerprinting to the paint work of the luminaire.

Ensure a minimum 0.5m clearance between the lens and any objects directly in front of it to prevent overheating.

Read leaflet fully before installation.

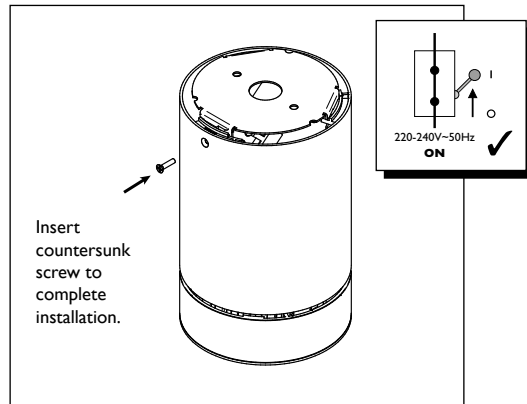
Hacel[®]
Fluent in Lighting

THE SILVERLINK, WALLSEND, NEWCASTLE UPON TYNE,
TYNE & WEAR, NE28 9ND

Technical: (0191) 280 9914
Email: technical@hacel.co.uk
Web: www.hacel.co.uk

04/2026

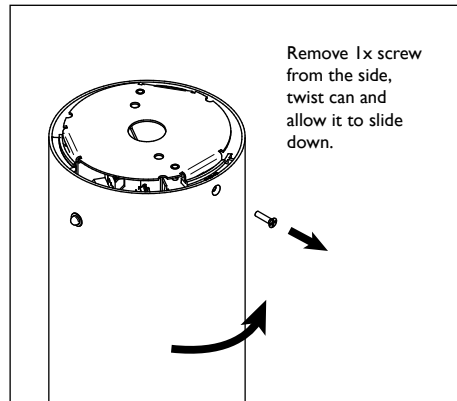
10



Insert countersunk screw to complete installation.

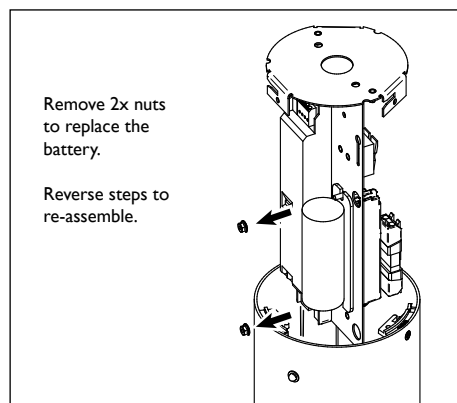
Emergency Versions - Battery Replacement Not applicable on SD1377-1378

1



Remove 1x screw from the side, twist can and allow it to slide down.

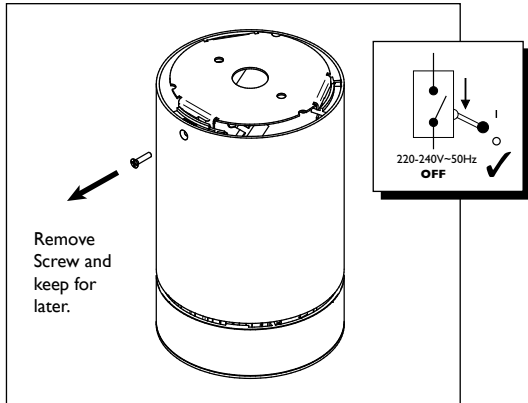
2



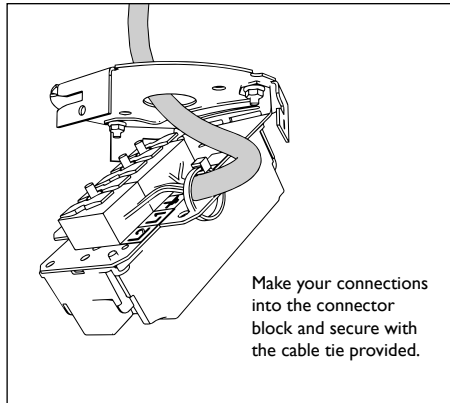
Remove 2x nuts to replace the battery.

Reverse steps to re-assemble.

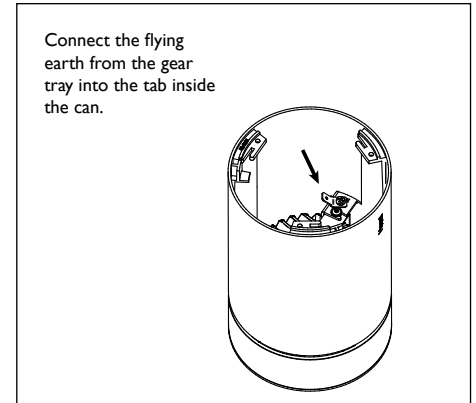
1



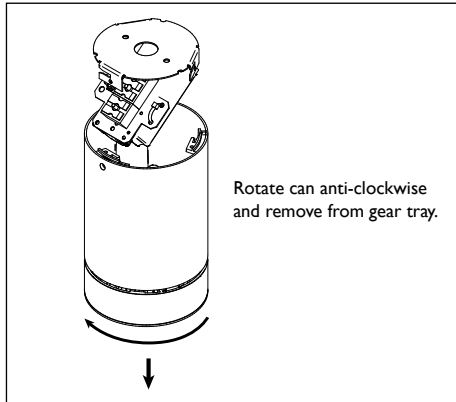
4



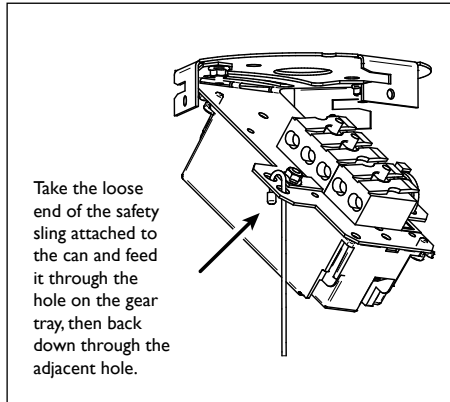
7



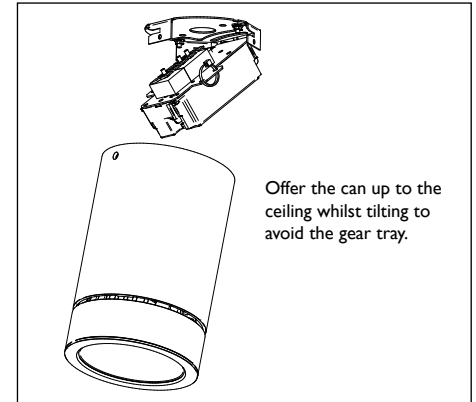
2



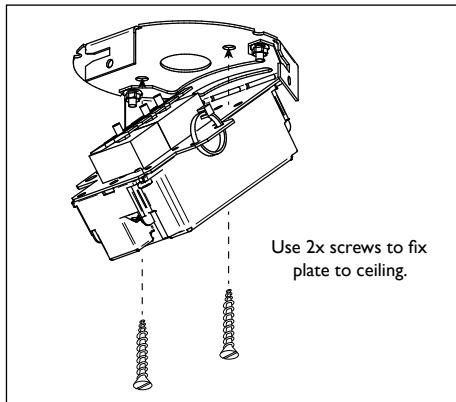
5



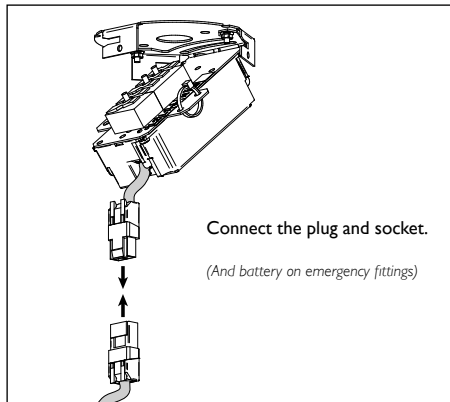
8



3



6



9

