

IMPORTANT INFORMATION

Solenz® Pendant

PN1371 / PN1377 / PN1379



Disconnect electricity supply before installation

To be installed by qualified personnel only, in accordance with current building and wiring regulations.

The light source and control gear contained within this luminaire should only be replaced by the manufacturer, their agent or a similar qualified person.

When installing, we recommend wearing disposable gloves to avoid fingerprinting to the paint work of the luminaire.

Ensure a minimum 0.5m clearance between the lens and any objects directly in front of it to prevent overheating.

Read leaflet fully before installation.

Hacel®
Fluent in Lighting

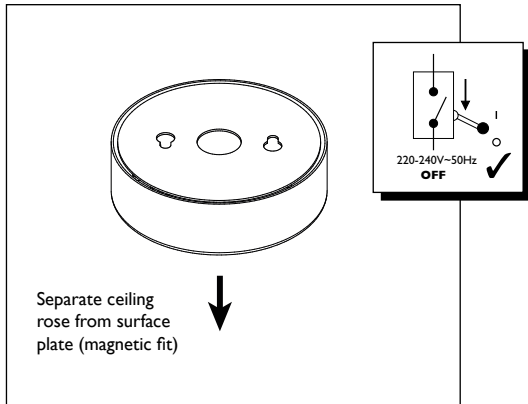
THE SILVERLINK, WALLSEND, NEWCASTLE UPON TYNE,
TYNE & WEAR, NE28 9ND

Technical: (0191) 280 9914

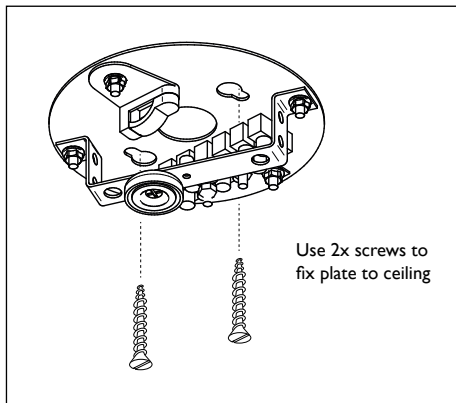
Email: technical@hacel.co.uk

Web: www.hacel.co.uk

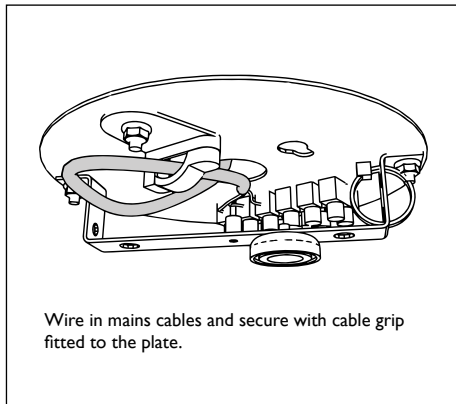
1



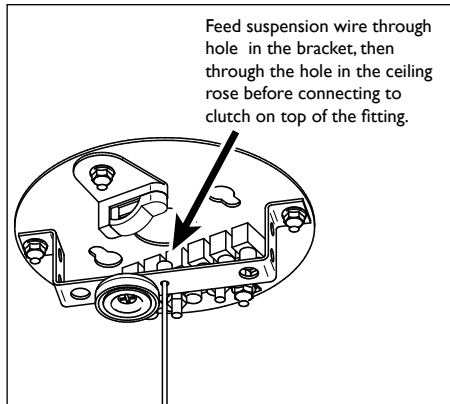
2



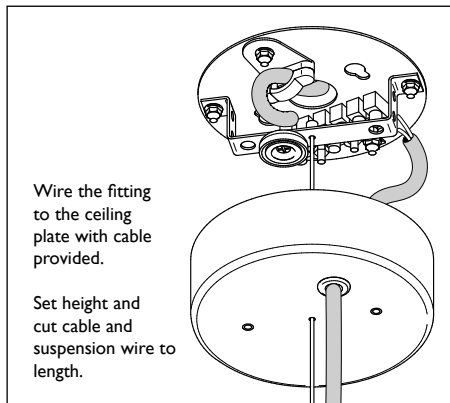
3



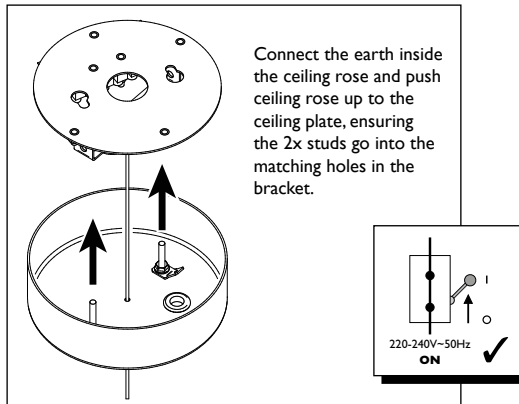
4



5

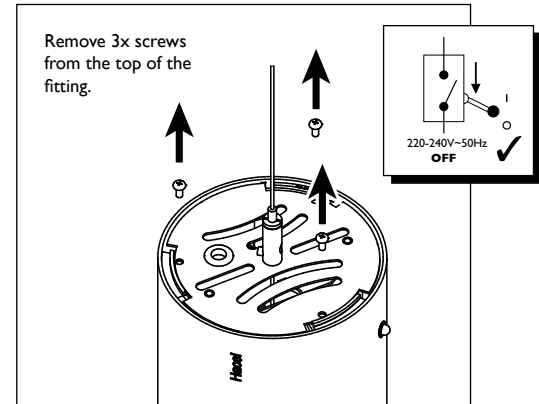


6



Emergency Versions - Battery Replacement
Not applicable on PN1377-1378

1



2

