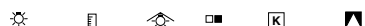




	CRI 80	Warm White LED (3000K)			Neutral White LED (4000K)		
		17W	24W	29W	22W	30W	36W
Lumen Output		3264 lm	4338 lm	5063 lm	4080 lm	5422 lm	6329 lm
LOR		0.75	0.75	0.75	0.75	0.75	0.75
CRI		80	80	80	80	80	80
Total Power		19.2W	26.7W	31.9W	23.7W	33.3W	39.8W
Power Factor		0.81	0.96	0.97	0.89	0.95	0.95
Running Current		0.07A	0.11A	0.14A	0.09A	0.14A	0.17A
Inrush Current (Std)		5.33A (38us)	15A (250us)	15.0A (250us)	28A (150us)	25.0A (280us)	25.0A (280us)
Inrush Current (Dim)		22.4A (176us)	22.4A (176us)	22.4A (176us)	22.4A (176us)	22.4A (176us)	22.4A (176us)
Efficacy		127 lm/W	121 lm/W	119 lm/W	129 lm/W	122 lm/W	119 lm/W
Emergency Output (BLF)		455 lm (14%)	455 lm (10%)	455 lm (9%)	327 lm (8%)	327 lm (6%)	327 lm (5%)

Note: Figures above refer to standard A gear unless stated

Skola® Pendant



LED

Wattage	LED	Length	PN	LED	Emergency	Dim	Life
17W	LED	1203mm	PN1633	—	LED	—	17 725
24W	LED	1203mm	PN1633	—	LED	—	24 725
29W	LED	1203mm	PN1633	—	LED	—	29 725
22W	LED	1483mm	PN1635	—	LED	—	22 726
30W	LED	1483mm	PN1635	—	LED	—	30 726
36W	LED	1483mm	PN1635	—	LED	—	36 726

- Lumen outputs from 3264 to 6751 lumens
- Efficacies up to 130 lm/W
- Life expectancy 72,000 hours (L80 B10)
- UGR compliant across all wattages, rated at UGR 19 or less
- IP44 and IK08 rated
- Colour stability within 3 MacAdams
- Available with integral Bluetooth
- Complementary Surface version available
- Wireless Lighting Control available
- Tamper proof end caps option available
- Tool free Gear Tray and Polycarbonate diffuser for quick and easy installation
- Supplied with 2 x 2m Twin Suspensions and chrome clutches as standard
- Digital Dim and Digital Dim + Emergency options available

- A** Integral Driver/Remote
- E** Emergency
- J** Switch Dim
- K** Switch Dim + Emergency
- S** DALI Dim
- T** DALI Dim + Emergency
- C** DALI Dim + DALI Emergency
- L** DALI Bluetooth
- M** DALI Bluetooth + Emergency

3 Warm (3000K) 4 Neutral (4000K)

1 White (RAL 9010)

144 2x 5m Twin Suspension (wire only)

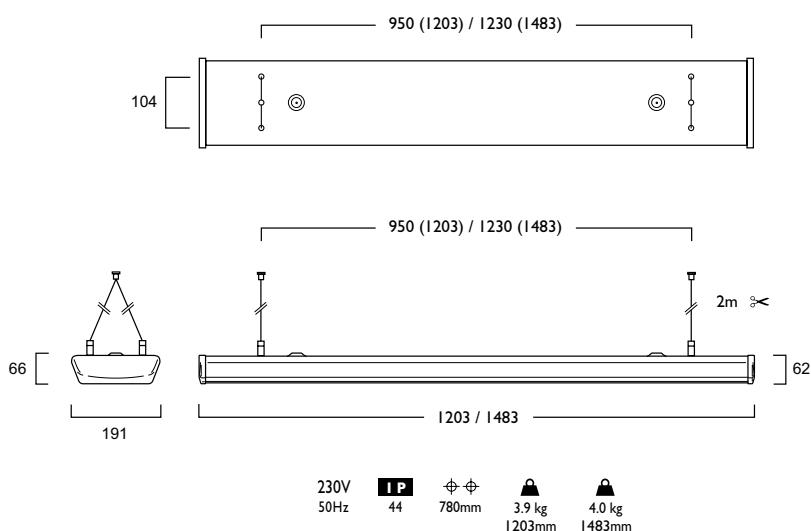
640 Tamper Proof End Caps

Tel: (0191) 280 9911 Email: technical@hacel.co.uk Web: www.hacel.co.uk V7 - 05/2026

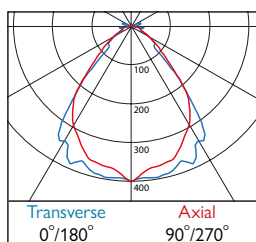
* All values provided in this document are subject to International standards and electronic components from leading suppliers which are subject to +/- 10% tolerance and apply at an ambient temperature of 25°C. Hacel Lighting look to constantly improve it's product and reserve the right to change specifications without prior notification.



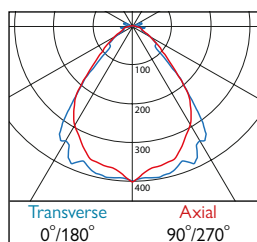
Skola® Pendant



Photometrics



725 DLOR: 0.75



726 DLOR: 0.75