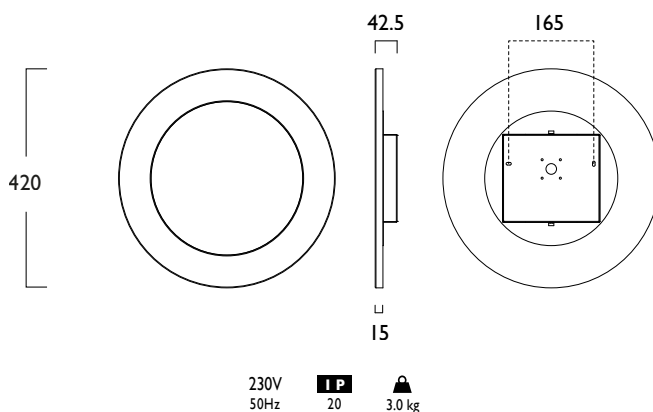


3	Warm White LED (3000K)	CRI 80	10W
	Lumen Output		1148 lm
	LOR		1.0
	CRI		80
	Total Power		11.6W
	Power Factor		0.95
	Running Current		0.07A
	Inrush Current (Std)		16A (240us)
	Inrush Current (Dim)		40A
	Efficacy		99 lm/w
	Emergency Output		1148 lm (100%)
	Energy Efficiency Class of Light Source		D

4	Neutral White LED (4000K)	CRI 80	10W
	Lumen Output		1181 lm
	LOR		1.0
	CRI		80
	Total Power		11.6W
	Power Factor		0.95
	Running Current		0.07A
	Inrush Current (Std)		16A (240us)
	Inrush Current (Dim)		40A
	Efficacy		102 lm/w
	Emergency Output		1181 lm (100%)
	Energy Efficiency Class of Light Source		D



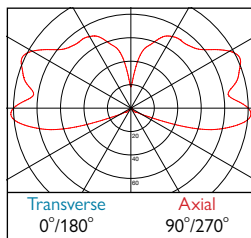
Note: Figures above refer to standard
A gear unless stated

Exolus®

LED
10W LED WL1726 LED 10 854

- Ø420mm Acrylic architectural wall light
- Life expectancy of 54,000 hours (L80 B10)
- Delivering lumen outputs up to 1181 lumens
- Corporate colours made to order
- Wall fixing and conduit box mounting options
- Choice of gear types available, including smart lighting controls
- CRI95 option available (WLI727)

Photometrics



854 DLOR: 1.0

- A Integral Driver/Remote
- E Emergency
- J Switch Dim
- K Switch Dim + Emergency
- S DALI Dim
- T DALI Dim + Emergency
- C DALI Dim + DALI Emergency
- L DALI Bluetooth
- M DALI Bluetooth + Emergency

3 Warm (3000K) 4 Neutral (4000K)

1 White (RAL 9010) 2 Urban Graphite (RAL 7046) 3 Black (RAL 9005)

TS Textured Stone TJ Textured Jade TB Textured Blue TC Textured Copper

TG Textured Gold TA Textured Anthracite

Tel: (0191) 280 9911 Email: technical@hacel.co.uk Web: www.hacel.co.uk VI - 04/2026

* All values provided in this document are subject to International standards and electronic components from leading suppliers which are subject to +/- 10% tolerance and apply at an ambient temperature of 25°C. Hacel Lighting look to constantly improve it's product and reserve the right to change specifications without prior notification.