



Encore® 100

LED CRI 80

Surface

19W	LED	IS1702	LED	19	+	857
25W	LED	IS1702	LED	25	+	857
34W	LED	IS1702	LED	34	+	857

LED CRI 90

Surface

19W	LED	IS1703	LED	19	+	858
25W	LED	IS1703	LED	25	+	858
34W	LED	IS1703	LED	34	+	858

Three Circuit Track

19W	LED	TT1702	LED	19	+	857
25W	LED	TT1702	LED	25	+	857
34W	LED	TT1702	LED	34	+	857

Three Circuit Track

19W	LED	TT1703	LED	19	+	858
25W	LED	TT1703	LED	25	+	858
34W	LED	TT1703	LED	34	+	858

DALI Track

19W	LED	TD1702	LED	19	+	857
25W	LED	TD1702	LED	25	+	857
34W	LED	TD1702	LED	34	+	857

DALI Track

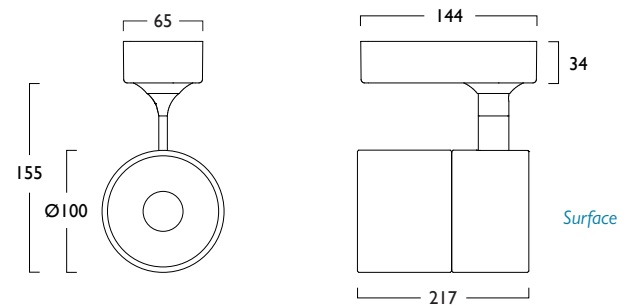
19W	LED	TD1703	LED	19	+	858
25W	LED	TD1703	LED	25	+	858
34W	LED	TD1703	LED	34	+	858

TT versions not suitable for use with Gear Types J & S
TD versions not suitable for use with Gear Types A & L

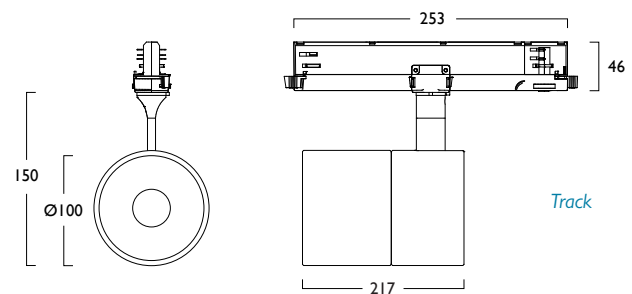
■ Add the required lens to code from list shown below

- Ideally suited to Museums, Art Galleries and Retail applications
- Available in a choice of lumen outputs up to 5378 lumens
- Efficacies up to 153 lm/W
- Life expectancy in excess of 60,000 hours (L90 B10)
- Colour stability within 3 MacAdams
- DALI Track versions are eminently suited to diverse, adaptable lighting scenarios
- The Track requires the relevant dimming wiring
- Wireless Lighting Control available
- Lens options available for narrow, medium or wide beam angles
- Can also be supplied as specials with invisible track adaptors on TT and TD variants

A	Integral Driver/Remote
J	Switch Dim
S	DALI Dim
L	DALI Bluetooth
3	Warm (3000K)
4	Neutral (4000K)
1	White (RAL 9010)
2	Urban Graphite (RAL 7046)
3	Black (RAL 9005)
Lens	
720	Medium (36°)
721	Narrow (15°)
722	Wide (60°)

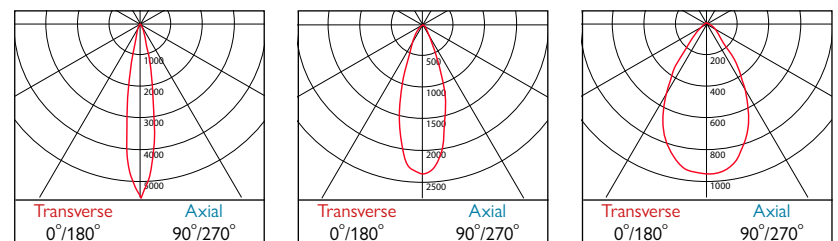


230V 50Hz IP 20 90° 347° 122 x 47mm 1.3 kg Narrow 15° Medium 36° Wide 60°



230V 50Hz IP 20 90° 347° 1.2 kg Narrow 15° Medium 36° Wide 60°

Photometrics



855-856 (15°)

857-858 (36°)

859-860 (60°)

Tel: (0191) 280 9911 Email: technical@hacer.co.uk Web: www.hacer.co.uk VI - 05/2026

* All values provided in this document are subject to International standards and electronic components from leading suppliers which are subject to +/- 10% tolerance and apply at an ambient temperature of 25°C. Hacer Lighting look to constantly improve its product and reserve the right to change specifications without prior notification.





Encore® 100

3	Warm White LED (3000K)	CRI 80	19W	25W	34W
	Delivered Lumens		3056 lm	4007 lm	5155 lm
	LOR		1.0	1.0	1.0
	CRI		80	80	80
	Total Power		20.9W	28.3W	37.9W
	Power Factor		0.95	0.96	0.97
	Running Current		0.10A	0.13A	0.17A
	Inrush Current (Std)		9.5A (16us)	9.5A (16us)	9.5A (16us)
	Inrush Current (Dim)		18A (2.8us)	18A (2.8us)	18A (2.8us)
	Efficacy		146 lm/W	141 lm/W	136 lm/W
	Emergency Output		N/A	N/A	N/A
	Energy Efficiency Class of Light Source		C	C	C

CRI 90	19W	25W	34W
Delivered Lumens	2469 lm	3244 lm	4187 lm
LOR	1.0	1.0	1.0
CRI	90	90	90
Total Power	20.9W	28.3W	37.9W
Power Factor	0.95	0.96	0.97
Running Current	0.10A	0.13A	0.17A
Inrush Current (Std)	9.5A (16us)	9.5A (16us)	9.5A (16us)
Inrush Current (Dim)	18A (2.8us)	18A (2.8us)	18A (2.8us)
Efficacy	118 lm/W	114 lm/W	111 lm/W
Emergency Output	N/A	N/A	N/A
Energy Efficiency Class of Light Source	C	C	C

Track

4	Neutral White LED (4000K)	CRI 80	19W	25W	34W
	Delivered Lumens		3199 lm	4187 lm	5378 lm
	LOR		1.0	1.0	1.0
	CRI		80	80	80
	Total Power		20.9W	28.3W	37.9W
	Power Factor		0.95	0.96	0.97
	Running Current		0.10A	0.13A	0.17A
	Inrush Current (Std)		9.5A (16us)	9.5A (16us)	9.5A (16us)
	Inrush Current (Dim)		18A (2.8us)	18A (2.8us)	18A (2.8us)
	Efficacy		153 lm/W	148 lm/W	142 lm/W
	Emergency Output (BLF)		N/A	N/A	N/A
	Energy Efficiency Class of Light Source		C	C	C

CRI 90	19W	25W	34W
Delivered Lumens	2682 lm	3512 lm	4515 lm
LOR	1.0	1.0	1.0
CRI	90	90	90
Total Power	20.9W	28.3W	37.9W
Power Factor	0.95	0.96	0.97
Running Current	0.10A	0.13A	0.17A
Inrush Current (Std)	9.5A (16us)	9.5A (16us)	9.5A (16us)
Inrush Current (Dim)	18A (2.8us)	18A (2.8us)	18A (2.8us)
Efficacy	128 lm/W	124 lm/W	119 lm/W
Emergency Output	N/A	N/A	N/A
Energy Efficiency Class of Light Source	C	C	C

Note: Figures above refer to standard A gear unless stated

3	Warm White LED (3000K)	CRI 80	19W	25W	34W
	Delivered Lumens		3056 lm	4007 lm	5155 lm
	LOR		1.0	1.0	1.0
	CRI		80	80	80
	Total Power		21.1W	28.1W	37.2W
	Power Factor		0.97	0.97	0.97
	Running Current		0.09A	0.13A	0.17A
	Inrush Current (Std)		18A (210us)	24A (200us)	30A (200us)
	Inrush Current (Dim)		20A (25us)	20A (25us)	20A (25us)
	Efficacy		145 lm/W	143 lm/W	139 lm/W
	Emergency Output		N/A	N/A	N/A
	Energy Efficiency Class of Light Source		C	C	C

CRI 90	19W	25W	34W
Delivered Lumens	2469 lm	3244 lm	4187 lm
LOR	1.0	1.0	1.0
CRI	90	90	90
Total Power	21.1W	28.1W	37.2W
Power Factor	0.95	0.97	0.97
Running Current	0.09A	0.13A	0.17A
Inrush Current (Std)	18A (210us)	24A (200us)	30A (200us)
Inrush Current (Dim)	20A (25us)	20A (25us)	20A (25us)
Efficacy	117 lm/W	116 lm/W	113 lm/W
Emergency Output	N/A	N/A	N/A
Energy Efficiency Class of Light Source	C	C	C

Surface

4	Neutral White LED (4000K)	CRI 80	19W	25W	34W
	Delivered Lumens		3199 lm	4187 lm	5387 lm
	LOR		1.0	1.0	1.0
	CRI		80	80	80
	Total Power		21.1W	28.1W	37.2W
	Power Factor		0.97	0.97	0.97
	Running Current		0.09A	0.13A	0.17A
	Inrush Current (Std)		18A (210us)	24A (200us)	30A (200us)
	Inrush Current (Dim)		20A (25us)	20A (25us)	20A (25us)
	Efficacy		152 lm/W	149 lm/W	145 lm/W
	Emergency Output (BLF)		N/A	N/A	N/A
	Energy Efficiency Class of Light Source		C	C	C

CRI 90	19W	25W	34W
Delivered Lumens	2682 lm	3512 lm	4515 lm
LOR	1.0	1.0	1.0
CRI	90	90	90
Total Power	21.1W	28.1W	37.2W
Power Factor	0.95	0.97	0.97
Running Current	0.09A	0.13A	0.17A
Inrush Current (Std)	18A (210us)	24A (200us)	30A (200us)
Inrush Current (Dim)	20A (25us)	20A (25us)	20A (25us)
Efficacy	127 lm/W	125 lm/W	121 lm/W
Emergency Output	N/A	N/A	N/A
Energy Efficiency Class of Light Source	C	C	C

Note: Figures above refer to standard A gear unless stated