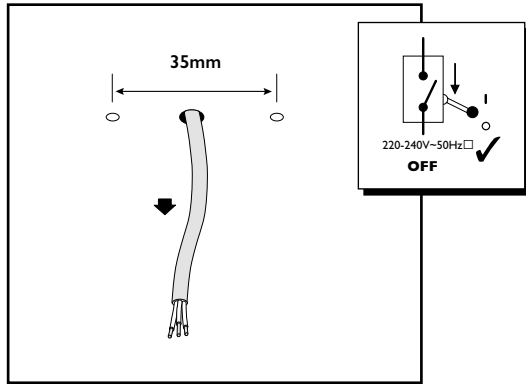


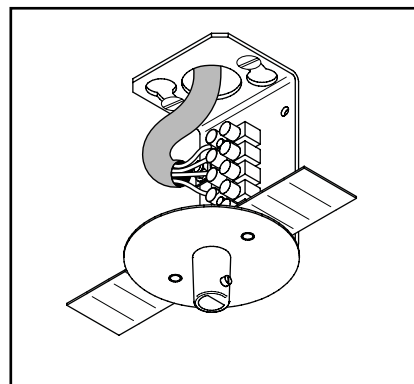
Preparation

1

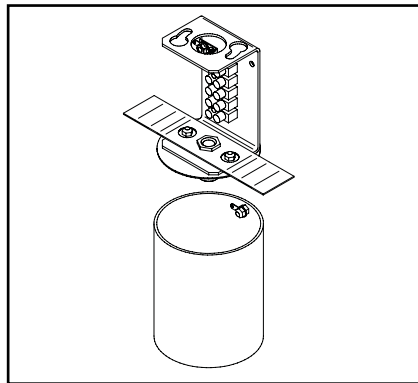


Installation Cont.

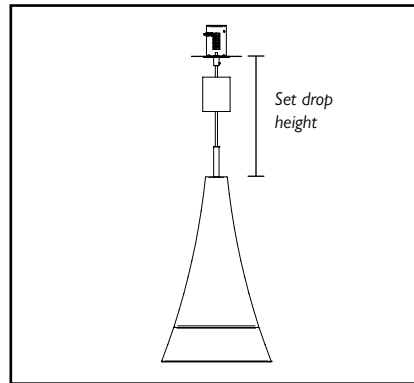
2



2

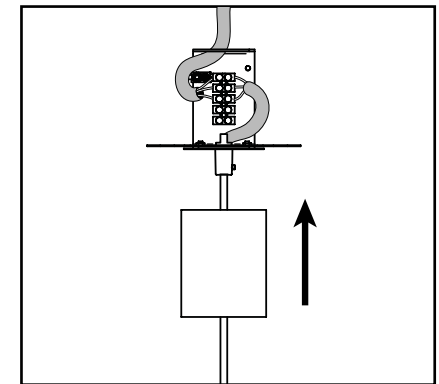


3

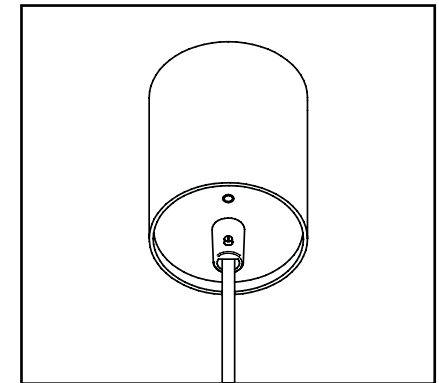


Installation Cont.

5

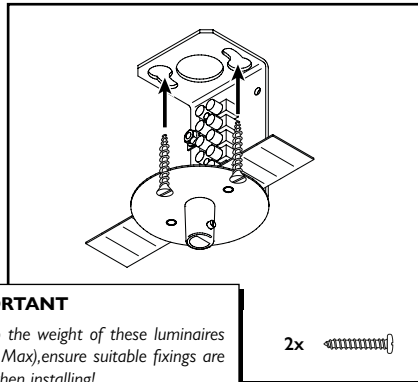


6



Installation

1

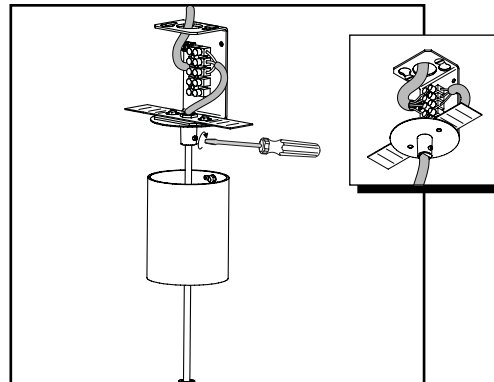


IMPORTANT

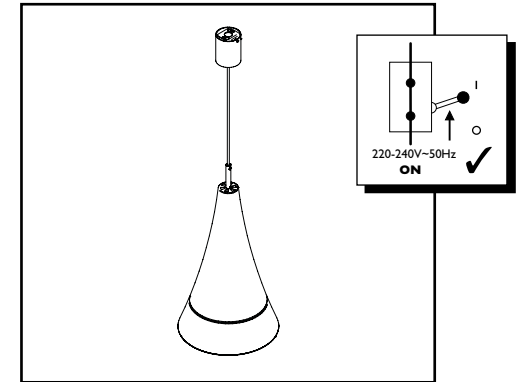
Due to the weight of these luminaires (3.0kg Max), ensure suitable fixings are used when installing!

2x 

4



7



IMPORTANT INFORMATION

Allure® Pendant

PN1500/PN1501/PN1502/PN1503/PN1504/PN1505 – Closed Version

PN1506/PN1507/PN1508/PN1509/PN1510/PN1511 – Open Version



Disconnect electricity supply before installation.

To be installed by qualified personnel only, in accordance with current building and wiring regulations

When installing, we recommend wearing disposable gloves to avoid fingerprinting to the paint work of the luminaire.

Ensure a minimum 1m clearance between the open diffuser lens and any objects directly in front of it to prevent overheating.

Read leaflet fully before installation.

Hacel[®]
Fluent in Lighting

THE SILVERLINK, WALLSEND, NEWCASTLE UPON TYNE,
TYNE & WEAR, NE28 9ND

Technical: (0191) 280 9914
Email: technical@hacel.co.uk
Web: www.hacel.co.uk