



3	Warm White LED (3000K)	CRI 80				CRI 90			
		12W	17W	22W	28W	12W	17W	22W	28W
	Lumen Output	2041 lm	2885 lm	4099 lm	5206 lm	1650 lm	2330 lm	3297 lm	4206 lm
	LOR	0.81	0.81	0.81	0.81	0.81	0.81	0.81	0.81
	CRI	80	80	80	80	90	90	90	90
	Total Power	11.9W	17.1W	24.4W	31.2W	11.9W	17.1W	24.4W	31.2W
	Power Factor	0.92	0.92	0.96	0.97	0.92	0.92	0.96	0.97
	Running Current	0.07A	0.08A	0.11A	0.14A	0.07A	0.08A	0.11A	0.14A
	Inrush Current (Std)	8A (28us)	8A (28us)	24A (200us)	30A (200us)	8A (28us)	8A (28us)	24A (200us)	30A (200us)
	Inrush Current (Dim)	10A (50us)	10A (50us)	3.31A (43us)	5.33A (42us)	10A (50us)	10A (50us)	3.31A (43us)	5.33A (42us)
	Efficacy	138 lm/W	136 lm/W	136 lm/W	135 lm/W	112 lm/W	110 lm/W	109 lm/W	109 lm/W
	Emergency Output (BLF)	N/A	N/A	N/A	N/A	N/A	N/A	N/A	N/A

4	Neutral White LED (4000K)	CRI 80				CRI 90			
		12W	17W	22W	28W	12W	17W	22W	28W
	Lumen Output	2143 lm	3023 lm	4294 lm	5445 lm	1796 lm	2533 lm	3620 lm	4592 lm
	LOR	0.81	0.81	0.81	0.81	0.81	0.81	0.81	0.81
	CRI	80	80	80	80	90	90	90	90
	Total Power	11.9W	17.1W	24.4W	31.2W	11.9W	17.1W	24.4W	31.2W
	Power Factor	0.92	0.92	0.96	0.97	0.92	0.92	0.96	0.97
	Running Current	0.07A	0.08A	0.11A	0.14A	0.07A	0.08A	0.11A	0.14A
	Inrush Current (Std)	8A (28us)	8A (28us)	24A (200us)	30A (200us)	8A (28us)	8A (28us)	24A (200us)	30A (200us)
	Inrush Current (Dim)	10A (50us)	10A (50us)	3.31A (43us)	5.33A (42us)	10A (50us)	10A (50us)	3.31A (43us)	5.33A (42us)
	Efficacy	145 lm/W	143 lm/W	142 lm/W	141 lm/W	122 lm/W	119 lm/W	120 lm/W	119 lm/W
	Emergency Output (BLF)	N/A	N/A	N/A	N/A	N/A	N/A	N/A	N/A

Aleda® Ported Solo



LED CRI 80

Power	LED	Solo	AX398	LED	12	17	22	28	+	377
12W	LED	Solo	AX398	LED	12	17	22	28	+	377
17W	LED	Solo	AX398	LED	12	17	22	28	+	377
22W	LED	Solo	AX398	LED	12	17	22	28	+	377
28W	LED	Solo	AX398	LED	12	17	22	28	+	377

LED CRI 90

Power	LED	Solo	AX399	LED	12	17	22	28	+	378
12W	LED	Solo	AX399	LED	12	17	22	28	+	378
17W	LED	Solo	AX399	LED	12	17	22	28	+	378
22W	LED	Solo	AX399	LED	12	17	22	28	+	378
28W	LED	Solo	AX399	LED	12	17	22	28	+	378

- LED single head styling neatly integrated into semi recessed design
- Single point Zhaga Book 3 LED
- Choice of lumen outputs, delivering up to 5445 lumens per Aleda® head
- Efficacies up to 145 lm/W
- Life expectancy in excess of 57,000 hours (L90 B10)
- CRI 80 and CRI 90 versions available, colour stability within 3 MacAdams
- White, Black, Urban Graphite Bezel colour options.
- Inner recess and Aleda® luminaire(s) finished in Black (colour options available on request)
- Wireless Lighting Control available
- Digital Dim and Digital Dim + Emergency options available

- A** Integral Driver/Remote
- J** Switch Dim
- S** DALI Dim
- L** DALI Bluetooth

3 Warm (3000K) 4 Neutral (4000K)

1 White (RAL 9010) 2 Urban Graphite (RAL 7046) 3 Black (RAL 9005)

Reflector	CRI 80	CRI 90
384 1x Narrow Beam	379	380
385 1x Wide Beam	381	382

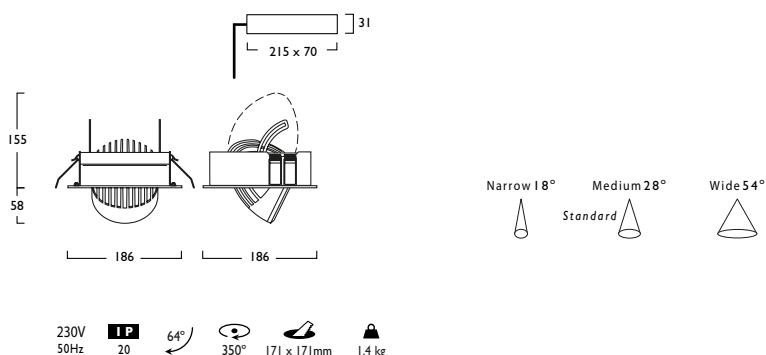
Luminescent Halo, Baffle - Examples Shown on page 2

Tel: (0191) 280 9911 Email: technical@hacel.co.uk Web: www.hacel.co.uk V4 - 04/2026

* All values provided in this document are subject to International standards and electronic components from leading suppliers which are subject to +/- 10% tolerance and apply at an ambient temperature of 25°C. Hacel Lighting look to constantly improve it's product and reserve the right to change specifications without prior notification.



Aleda® Ported Solo

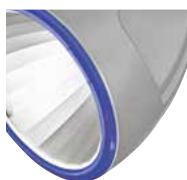


Options

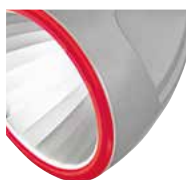
■ Luminescent Halo Options



473 Etched Ice



474 Neptune Blue



475 Mars Red



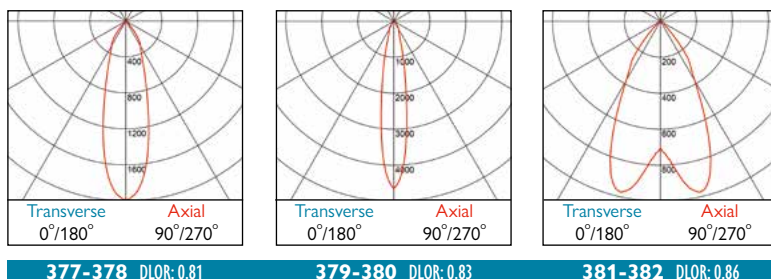
477 Acid Green



478 Anti Glare Baffle

■ Baffle Option

Photometrics



Tel: (0191) 280 9911 Email: technical@hacel.co.uk Web: www.hacel.co.uk

* All values provided in this document are subject to International standards and electronic components from leading suppliers which are subject to +/- 10% tolerance and apply at an ambient temperature of 25°C. Hacer Lighting look to constantly improve it's product and reserve the right to change specifications without prior notification.