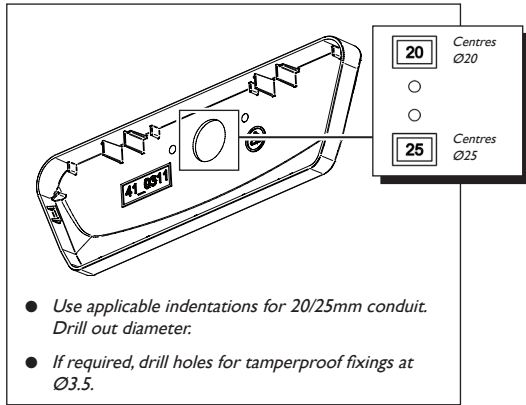


End Cable Entry/End Conduit Install

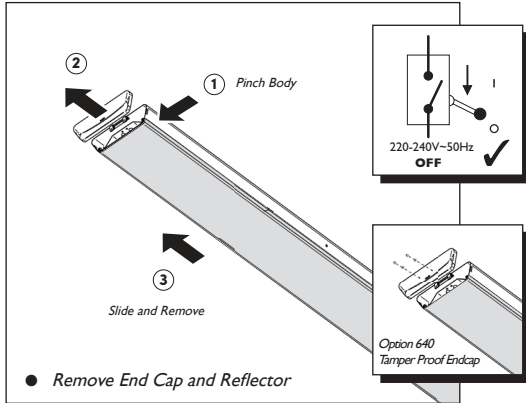
1



- Use applicable indentations for 20/25mm conduit. Drill out diameter.
- If required, drill holes for tamperproof fixings at Ø3.5.

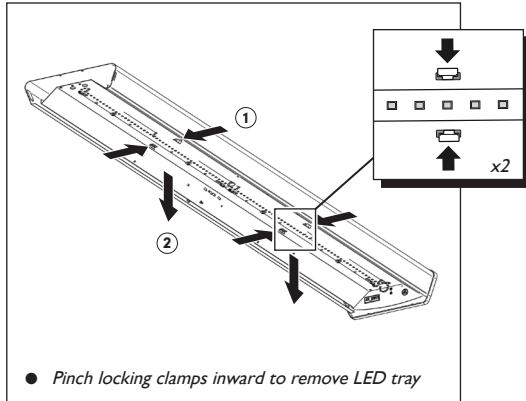
Emergency Battery Replacement

1



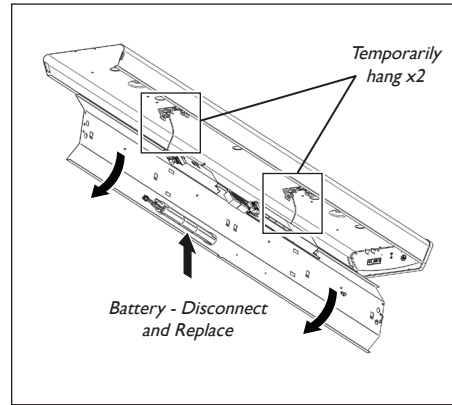
- Remove End Cap and Reflector

2

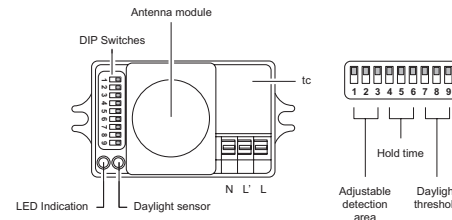


- Pinch locking clamps inward to remove LED tray

3



Dip Switch - Settings



Detection area	I	2	3	Sensitivity
I	●	●	●	100% (default)
II	○	●	●	75%
III	○	●	○	50%
IV	○	○	●	30%
V	○	○	○	10%

Switch-off delay	4	5	6	Hold time
I	●	●	●	5s (default)
II	●	○	●	30s
III	●	○	○	1 min
IV	○	●	●	5 min
V	○	●	○	10 min
VI	○	○	●	20 min
VII	○	○	○	30 min

Daylight threshold value	7	8	9	Daylight Sensor
I	●	●	●	Disable (default)
II	○	●	●	50 Lux
III	○	●	○	20 Lux
IV	○	○	●	5 Lux
V	○	○	○	2 Lux

IMPORTANT INFORMATION

Skola

SM1633 / SM1634 / SM1635 / SM1636
PN1633 / PN1634 / PN1635 / PN1636



Disconnect electricity supply before installation

To be installed by qualified personnel only, in accordance with current building and wiring regulations.

When installing, we recommend wearing disposable gloves to avoid fingerprinting to the paint work of the luminaire.

Read leaflet fully before installation.

Hacel®

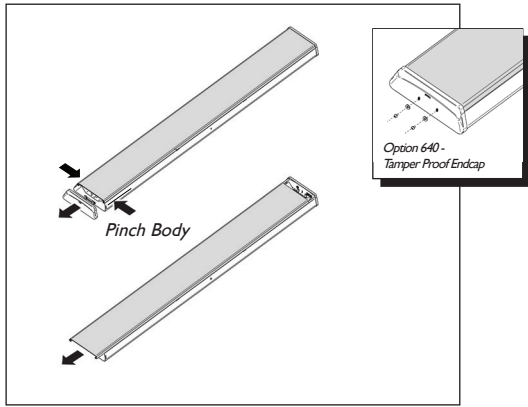
Fluent in Lighting

THE SILVERLINK, WALLSEND, NEWCASTLE UPON TYNE,
TYNE & WEAR, NE28 9ND

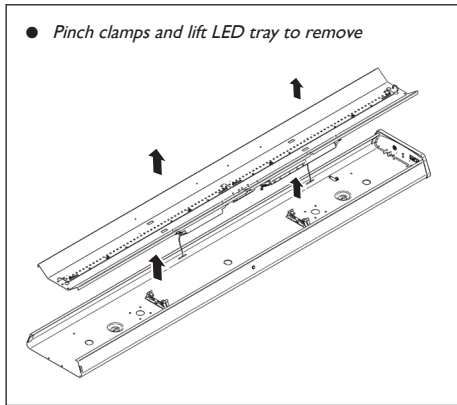
Technical: **(0191) 280 9914**
Email: technical@hacel.co.uk
Web: www.hacel.co.uk

Installation

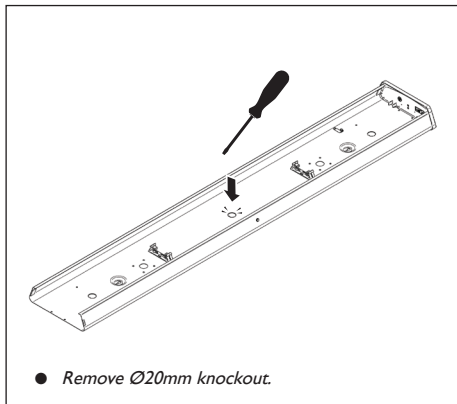
1



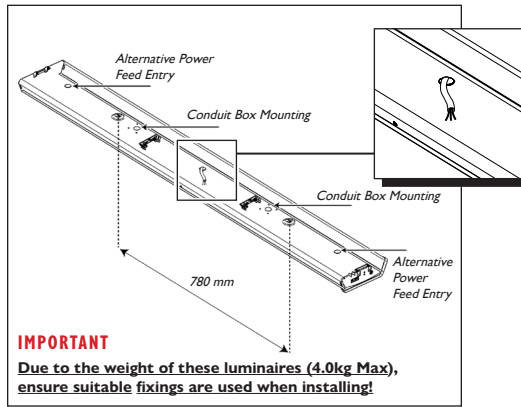
2



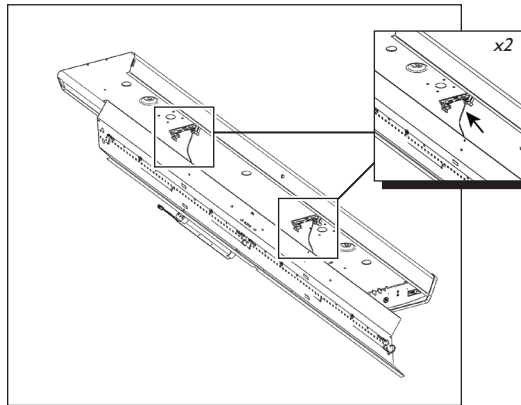
3



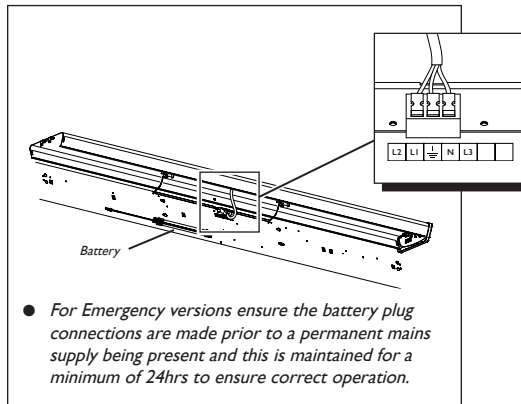
4



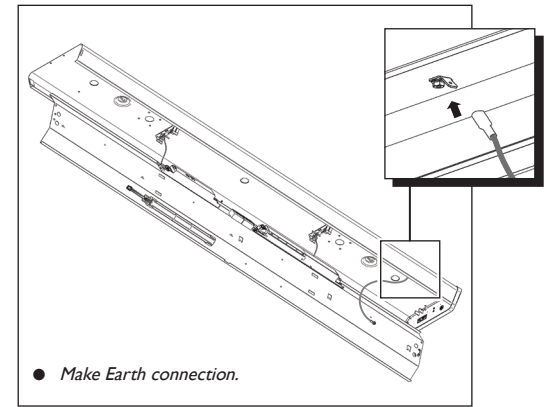
5



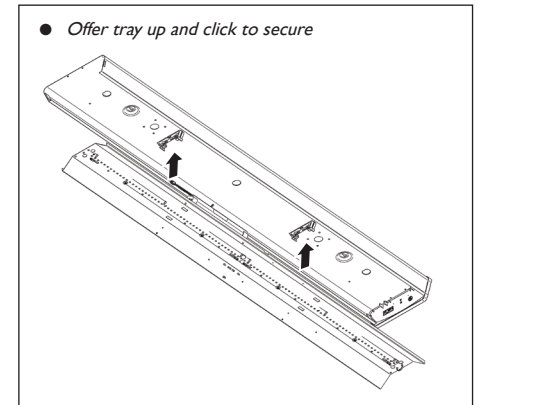
6



7



8



9

