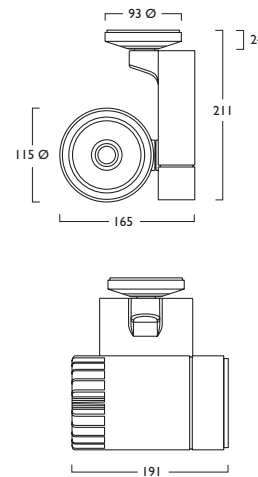


## Azuma® Maxi

LED CRI 80													
Surface													
38W	LED	IS473	LED	38	+	453	38W	LED	IS473	LED	47	+	453
47W	LED	IS473	LED	47	+	453							
Single Circuit Track													
38W	LED	TS473	LED	38	+	453	38W	LED	TS473	LED	47	+	453
47W	LED	TS473	LED	47	+	453							
Three Circuit Track													
38W	LED	TT473	LED	38	+	453	38W	LED	TT473	LED	47	+	453
47W	LED	TT473	LED	47	+	453							
DALI Track													
38W	LED	TD473	LED	38	+	453	38W	LED	TD473	LED	47	+	453
47W	LED	TD473	LED	47	+	453							

LED CRI 90													
Surface													
38W	LED	IS474	LED	38	+	454	38W	LED	IS474	LED	47	+	454
47W	LED	IS474	LED	47	+	454							
Single Circuit Track													
38W	LED	TS474	LED	38	+	454	38W	LED	TS474	LED	47	+	454
47W	LED	TS474	LED	47	+	454							
Three Circuit Track													
38W	LED	TT474	LED	38	+	454	38W	LED	TT474	LED	47	+	454
47W	LED	TT474	LED	47	+	454							
DALI Track													
38W	LED	TD474	LED	38	+	454	38W	LED	TD474	LED	47	+	454
47W	LED	TD474	LED	47	+	454							



- Available in a choice of lumen outputs, delivering up to 6380 lumens
- Efficacies up to 104 lm/W
- Single point Zhaga Book 3 LED
- Medium beam reflector as standard
- Life expectancy in excess of 60,000 hours (L80 B10)
- Colour stability within 3 MacAdams
- Protective glass fitted as standard
- Complementary Wall Lights available
- Track versions not suitable for wall mounting
- Dimmable Three Circuit Track versions use Three Phase adaptors permitting only single circuit control. The Track requires the relevant dimming wiring.
- DALI Track versions are eminently suited to diverse, adaptable lighting scenarios. The Track requires the relevant dimming wiring.
- Wireless Lighting Control available, see Connected video for full overview

230V 50Hz IP 20 180° 340° 50mm 3.0 kg



### Gear type F must be operated through a DSI

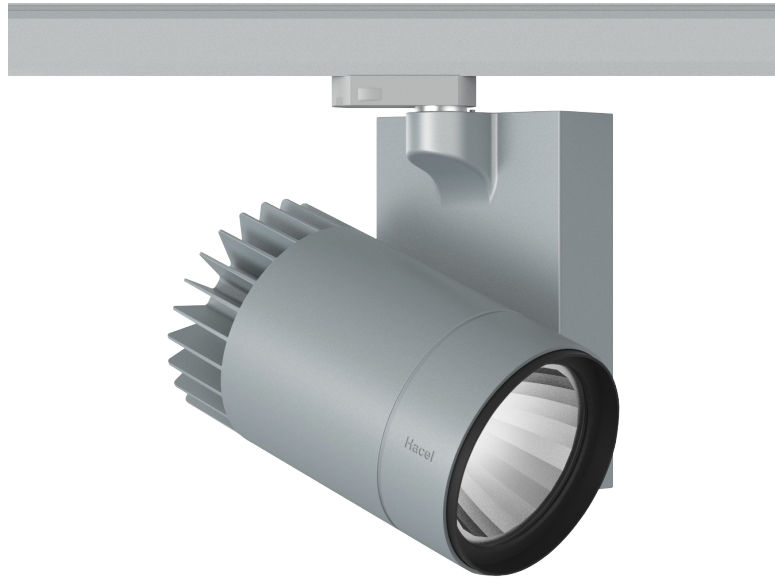
- A** Integral Driver/Remote - Not suitable for DALI Track
- J** Switch Dim - Not suitable for Single Circuit Track
- S** DALI Dim - Not suitable for Single Circuit Track
- L** DALI Bluetooth - Not suitable for DALI Track

3 Warm (3000K) 4 Neutral (4000K)

1 White (RAL 9010) 2 Urban Graphite (RAL 7046) 3 Black (RAL 9005)

Reflector		CRI 80	CRI 90
384	Narrow Beam	455	456
385	Wide Beam	457	458

Baffle Option - Examples Shown on page 2



## Azuma<sup>®</sup> Maxi

	CRI 80		CRI 90	
	38W	47W	38W	47W
<b>3</b> Warm White LED (3000K)				
Lumen Output	5228 lm	6107 lm	4295 lm	5000 lm
LOR	0.81	0.81	0.81	0.81
CRI	80	80	90	90
Total Power	42.4W	50.7W	42.4W	50.7W
Power Factor	0.98	0.98	0.98	0.98
Running Current	0.18A	0.21A	0.18A	0.21A
Inrush Current (Std)	20.0A (200us)	40.0A (200us)	20.0A (200us)	40A (200us)
Inrush Current (Dim)	20.0A (200us)	30.0A (200us)	20.0A (200us)	30A (200us)
Efficacy	99 lm/W	97 lm/W	82 lm/W	87 lm/W
Emergency Output (BLF)	N/A	N/A	N/A	N/A
<b>4</b> Neutral White LED (4000K)				
Lumen Output	5489 lm	6380 lm	4467 lm	5215 lm
LOR	0.81	0.81	0.81	0.81
CRI	80	80	90	90
Total Power	42.4W	50.7W	42.4W	50.7W
Power Factor	0.98	0.98	0.98	0.98
Running Current	0.18A	0.21A	0.18A	0.21A
Inrush Current (Std)	20.0A (200us)	40.0A (200us)	20.0A (200us)	40A (200us)
Inrush Current (Dim)	20.0A (200us)	30.0A (200us)	20.0A (200us)	30A (200us)
Efficacy	104 lm/W	101 lm/W	85 lm/W	91 lm/W
Emergency Output (BLF)	N/A	N/A	N/A	N/A

### Options

#### ■ Baffle Option



540 Anti Glare Baffle

### Photometrics

