

## Infinitas® Nano Xcel Direct

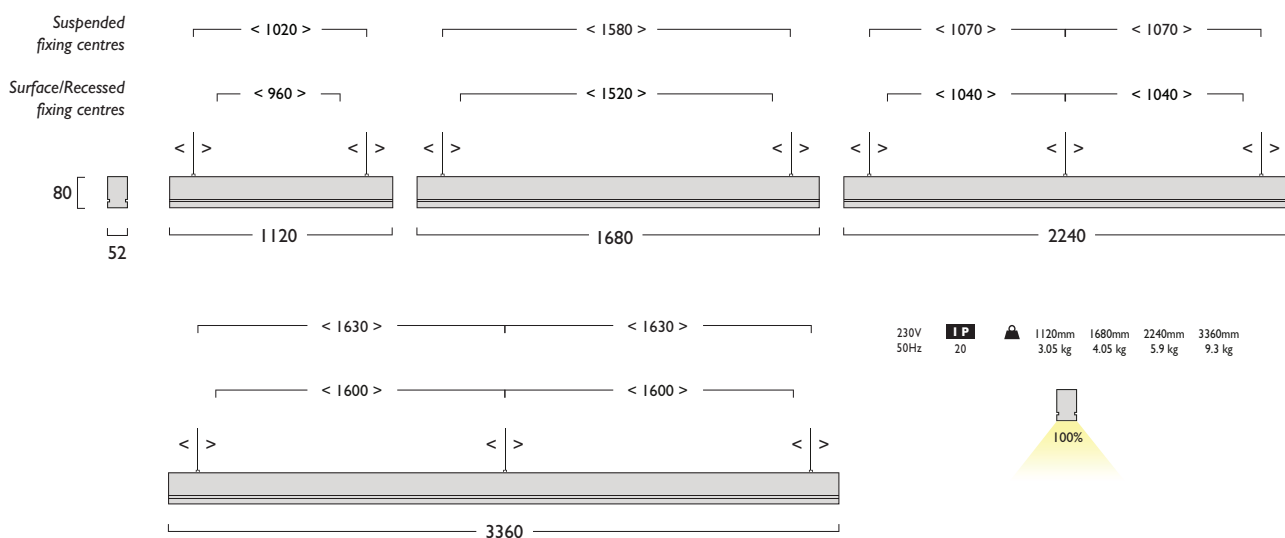
Infinitas® Nano Xcel by Hacer is a refined LED system. Designed and manufactured in the UK, Infinitas® Nano Xcel is sophisticated and minimal in its design. Precision extruded luminaires are available in Suspended, Surface or Recessed formats.

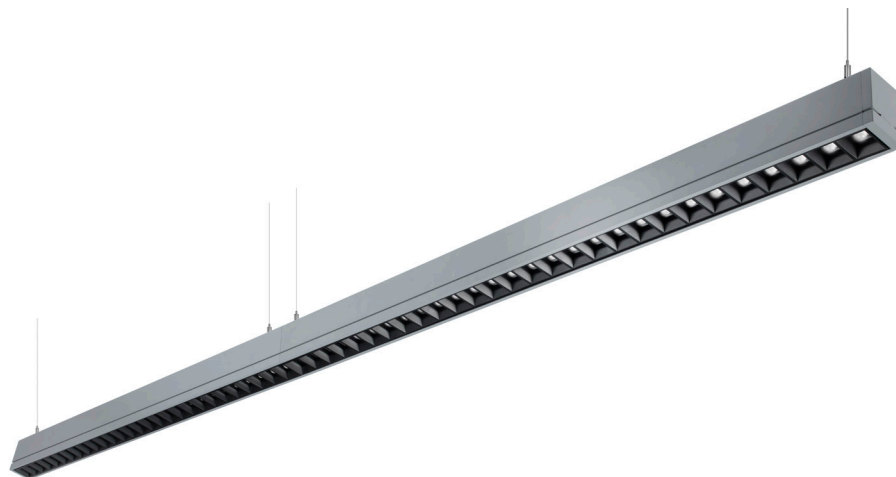
As part of the Infinitas® range, creating continuous lines of uninterrupted uniform lighting, the flexibility of Infinitas® Nano Xcel is further enhanced by Direct and Indirect lighting variations and complete illuminated 90° corners are available, offering diversity in architectural lighting design.

Stylish Solo Modules are also available to compliment the continuous system. Solo Modules are supplied complete with End Caps.

- Available in High, Medium or Low Output Modules
- Clip in gear trays for ease of installation - 70% quicker than screw in trays
- Plug and Socket connections for quick assembly on link systems
- Offering a choice of lumen outputs, delivering up to 12006 lumens
- Efficacies up to 136 lm/W
- Life expectancy of 72,000 hours (L80 B10)
- Low, Medium and High Output Modules achieve a UGR <19
- Corporate colours made to special order
- Suspended luminaires are supplied complete with 2m Wire Suspensions (variable positioning)
- Colour Stability within 3 MacAdams
- Wireless Lighting Control available, see Connected video for full overview

## Suspended/Surface/Recessed Modules Fixing Centres (mm)



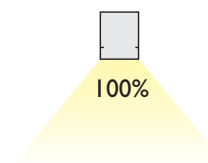


3	Warm White LED (3000K)	CRI 80	21W	31W	42W	62W
	Lumen Output		3825 lm	5737 lm	7650 lm	11474 lm
	LOR		0.76	0.76	0.76	0.76
	CRI		80	80	80	80
	Total Power		23.9W	34.2W	47.8W	68.4W
	Power Factor		0.95	0.95	0.95	0.95
	Running Current		0.09A	0.14A	0.18A	0.28A
	Inrush Current (Std)		25.0A (250us)	20.0A (200us)	50.0A (250us)	40.0A (200us)
	Inrush Current (Dim)		13.6A (304us)	13.6A (304us)	27.2A (304us)	27.2A (304us)
	Efficacy		121 lm/W	127 lm/W	121 lm/W	127 lm/W
	Emergency Output (BLF)		389 (10%)	389 (6%)	389 (5%)	389 (3%)

4	Neutral White LED (4000K)	CRI 80	21W	31W	42W	62W
	Lumen Output		4002 lm	6003 lm	8004 lm	12006 lm
	LOR		0.76	0.76	0.76	0.76
	CRI		80	80	80	80
	Total Power		23.9W	34.2W	47.8W	68.4W
	Power Factor		0.95	0.95/0.92	0.95	0.95
	Running Current		0.09A	0.14A	0.18A	0.28A
	Inrush Current (Std)		25.0A (250us)	20.0A (200us)	50.0A (250us)	40.0A (200us)
	Inrush Current (Dim)		13.6A (304us)	13.6A (304us)	27.2A (304us)	27.2A (304us)
	Efficacy		127 lm/W	133 lm/W	127 lm/W	133 lm/W
	Emergency Output (BLF)		407 (10%)	407 (6%)	407 (5%)	407 (3%)

High Output



## Infinitas® Nano Xcel Direct

High Output



LED

21W	LED	1120mm	---	1303	---	LED	---	21	---	+	643
31W	LED	1680mm	---	1306	---	LED	---	31	---	+	644
42W	LED	2240mm	---	1309	---	LED	---	42	---	+	645
62W	LED	3360mm	---	1312	---	LED	---	62	---	+	646

To ensure illumination uniformity **High, Medium** or **Low Output Modules** should **Not** be mixed. Modules should **always** be matched within their output group.

**IU** Link Suspended   **IW** Link Surface   **IY** Link Recessed Bezel

**IJ** Solo Suspended   **IL** Solo Surface   **IQ** Solo Recessed Bezel

- A** Integral Driver/Remote
- E** Emergency
- J** Switch Dim
- K** Switch Dim + Emergency
- S** DALI Dim
- T** DALI Dim + Emergency
- C** DALI Dim + DALI Emergency
- L** DALI Bluetooth
- M** DALI Bluetooth + Emergency

**3** Warm (3000K)   **4** Neutral (4000K)

**1** White (RAL 9010)   **2** Urban Graphite (RAL 7046)   **3** Black (RAL 9005)

Options

**303** 2x 5m Suspensions (wires only) (1120mm/1680mm Modules)

**344** 3x 5m Suspensions (wires only) (2240mm/3360mm Modules)

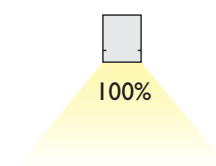


3	Warm White LED (3000K)	CRI 80	15W	22W	30W	45W
	Lumen Output		2804 lm	4205 lm	5608 lm	8410 lm
	LOR		0.76	0.76	0.76	0.76
	CRI		80	80	80	80
	Total Power		16.8W	25.8W	33.6W	51.5W
	Power Factor		0.95	0.95	0.95	0.95
	Running Current		0.07A	0.11A	0.14A	0.22A
	Inrush Current (Std)		21.0A (126us)	25.0A (250us)	42.0A (126us)	50.0A (250us)
	Inrush Current (Dim)		13.6A (304us)	13.6A (304us)	27.2A (304us)	27.0A (304us)
	Efficacy		126 lm/W	123 lm/W	126 lm/W	124 lm/W
	Emergency Output (BLF)		389 (13%)	389 (9%)	389 (6%)	389 (4%)

4	Neutral White LED (4000K)	CRI 80	15W	22W	30W	45W
	Lumen Output		2934 lm	4401 lm	5868 lm	8802 lm
	LOR		0.76	0.76	0.76	0.76
	CRI		80	80	80	80
	Total Power		16.8W	25.8W	33.6W	51.5W
	Power Factor		0.95	0.95	0.95	0.95
	Running Current		0.07A	0.11A	0.14A	0.22A
	Inrush Current (Std)		21.0A (126us)	25.0A (250us)	42.0A (126us)	50.0A (250us)
	Inrush Current (Dim)		13.6A (304us)	13.6A (304us)	27.2A (304us)	27.2A (304us)
	Efficacy		132 lm/W	129 lm/W	132 lm/W	129 lm/W
	Emergency Output (BLF)		407 (13%)	407 (9%)	407 (6%)	407 (4%)

Medium Output



## Infinitas® Nano Xcel Direct

Medium Output



LED

15W	LED	1120mm	---	1303	---	LED	15	---	+	643
22W	LED	1680mm	---	1306	---	LED	22	---	+	644
30W	LED	2240mm	---	1309	---	LED	30	---	+	645
45W	LED	3360mm	---	1312	---	LED	45	---	+	646

To ensure illumination uniformity **High, Medium** or **Low Output Modules** should **Not** be mixed. Modules should **always** be matched within their output group.

**IU** Link Suspended **IW** Link Surface **IY** Link Recessed Bezel

**IJ** Solo Suspended **IL** Solo Surface **IQ** Solo Recessed Bezel

**A** Integral Driver/Remote

**E** Emergency

**J** Switch Dim

**K** Switch Dim + Emergency

**S** DALI Dim

**T** DALI Dim + Emergency

**C** DALI Dim + DALI Emergency

**L** DALI Bluetooth

**M** DALI Bluetooth + Emergency

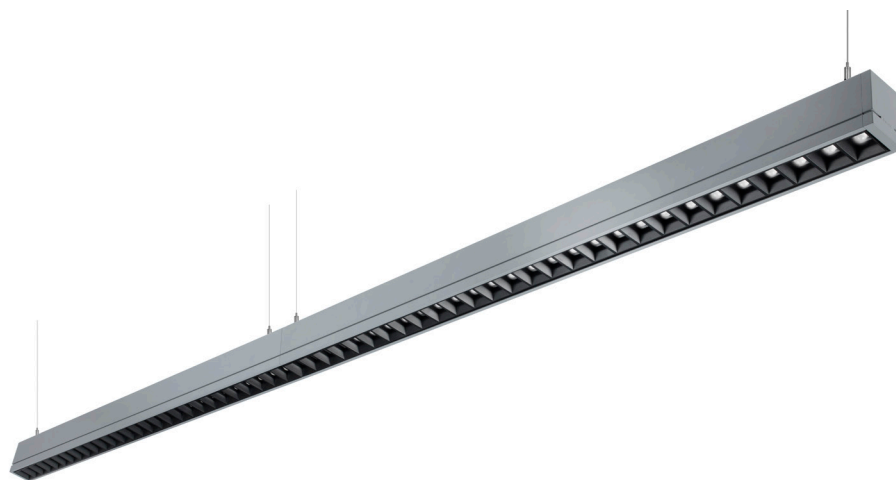
**3** Warm (3000K) **4** Neutral (4000K)

**1** White (RAL 9010) **2** Urban Graphite (RAL 7046) **3** Black (RAL 9005)

Options

**303** 2x 5m Suspensions (wires only) (1120mm/1680mm Modules)

**344** 3x 5m Suspensions (wires only) (2240mm/3360mm Modules)

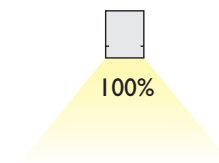


3	Warm White LED (3000K)	CRI 80	9W	14W	18W	28W
	Lumen Output		1768 lm	2651 lm	3536 lm	5302 lm
	LOR		0.76	0.76	0.76	0.76
	CRI		80	80	80	80
	Total Power		10.6W	15.5W	21.2W	31.0W
	Power Factor		0.95	0.95	0.95	0.95
	Running Current		0.04A	0.06A	0.09A	0.13A
	Inrush Current (Std)		8.0A (100us)	15.0A (250us)	8.0A (100us)	15.0A (250us)
	Inrush Current (Dim)		13.6A (304us)	13.6A (304us)	13.6A (304us)	13.6A (304us)
	Efficacy		126 lm/W	129 lm/W	126 lm/W	129 lm/W
	Emergency Output (BLF)		389 (22%)	389 (14%)	389 (11%)	389 (7%)

4	Neutral White LED (4000K)	CRI 80	9W	14W	18W	28W
	Lumen Output		1850 lm	2775 lm	3700 lm	5550 lm
	LOR		0.76	0.76	0.76	0.76
	CRI		80	80	80	80
	Total Power		10.6W	15.5W	21.2W	31.0W
	Power Factor		0.95	0.95	0.95	0.95
	Running Current		0.04A	0.06A	0.09A	0.13A
	Inrush Current (Std)		8.0A (100us)	15.0A (250us)	8.0A (100us)	15.0A (250us)
	Inrush Current (Dim)		13.6A (304us)	13.6A (304us)	13.6A (304us)	13.6A (304us)
	Efficacy		132 lm/W	136 lm/W	132 lm/W	136 lm/W
	Emergency Output (BLF)		407 (22%)	407 (14%)	407 (11%)	407 (7%)

Low Output



## Infinitas® Nano Xcel Direct

Low Output



LED

9W	LED	1120mm	---	1303	---	LED	---	09	---	+	643
14W	LED	1680mm	---	1306	---	LED	---	14	---	+	644
18W	LED	2240mm	---	1309	---	LED	---	18	---	+	645
28W	LED	3360mm	---	1312	---	LED	---	28	---	+	646

To ensure illumination uniformity **High, Medium** or **Low Output** Modules should **Not** be mixed. Modules should **always** be matched within their output group.

**IU** Link Suspended **IW** Link Surface **IY** Link Recessed Bezel

**IJ** Solo Suspended **IL** Solo Surface **IQ** Solo Recessed Bezel

**A** Integral Driver/Remote

**E** Emergency

**J** Switch Dim

**K** Switch Dim + Emergency

**S** DALI Dim

**T** DALI Dim + Emergency

**C** DALI Dim + DALI Emergency

**L** DALI Bluetooth

**M** DALI Bluetooth + Emergency

**3** Warm (3000K) **4** Neutral (4000K)

**1** White (RAL 9010) **2** Urban Graphite (RAL 7046) **3** Black (RAL 9005)

Options

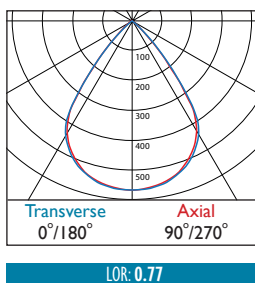
**303** 2x 5m Suspensions (wires only) (1120mm/1680mm Modules)

**344** 3x 5m Suspensions (wires only) (2240mm/3360mm Modules)



## Infinitas® Nano Xcel Direct

### Photometrics

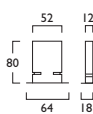
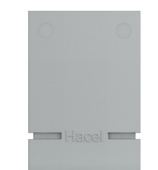


## Infinitas® Nano Xcel - End Caps Direct

2x End Caps	Surface/Suspended	IN1331	X	CA000	—
2x End Caps	Recessed Bezel	IN1332	X	CA000	—



Surface/Suspended



Recessed Bezel