

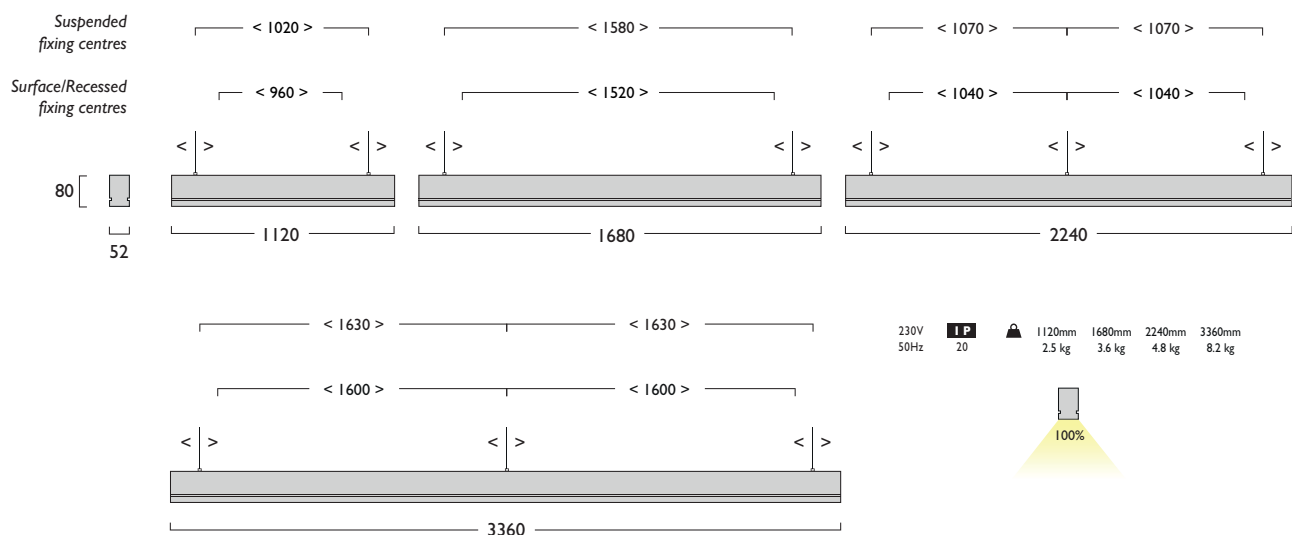
Infinitas® Nano Direct

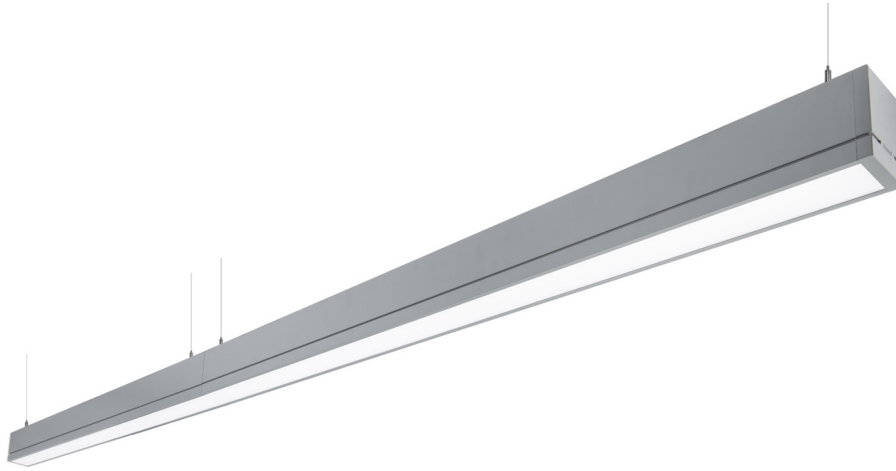
Infinitas® Nano by Hacer is a refined LED system. Designed and manufactured in the UK, Infinitas® Nano is sophisticated and minimal in its design. Precision extruded luminaires are available in Suspended, Surface or Recessed formats. As part of the Infinitas® range, creating continuous lines of uninterrupted uniform lighting, the flexibility of Infinitas® Nano is further enhanced by Direct and Indirect lighting variations and complete illuminated 90° corners are available, offering diversity in architectural lighting design.

Stylish Solo Modules are also available to compliment the continuous system. Solo Modules are supplied complete with End Caps.

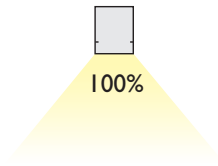
- Available in High, Medium or Low Output Modules
- Low Output Modules with Microprism Refractor and Film achieve UGR <19
- Clip in gear trays for ease of installation - 70% quicker than screw in trays
- Plug and socket connections for quick assembly on link systems
- Offering a choice of lumen outputs, delivering up to 12376 lumens
- Efficacies up to 125 lm/W
- Life expectancy of 72,000 hours (L80 B10)
- Corporate colours made to special order
- Suspended luminaires are supplied complete with 2m Wire Suspensions (variable positioning)
- All Modules are available with MicroPrism Refractors or Opal Diffusers, see option codes
- Colour Stability within 3 MacAdams
- Wireless Lighting Control available, see Connected video for full overview

Suspended/Surface/Recessed Modules Fixing Centres (mm)





High Output



		CRI 80	22W	33W	44W	66W
3	Warm White LED (3000K)					
	Lumen Output		3883 lm	5825 lm	7766 lm	11650 lm
	LOR		0.67	0.67	0.67	0.67
	CRI		80	80	80	80
	Total Power		24.9W	35.7W	49.8W	71.4W
	Power Factor		0.95	0.99	0.95	0.99
	Running Current		0.10A	0.15A	0.21A	0.31A
	Inrush Current (Std)		21.0A (126us)	32.0A (251us)	42.0A (126us)	64.0A (251us)
	Inrush Current (Dim)		13.6A (304us)	40.0A (178us)	27.2A (304us)	80.0A (178us)
	Efficacy		104 lm/W	109 lm/W	104 lm/W	109 lm/W
Emergency Output (BLF)		358 (9%)	358 (6%)	358 (4%)	358 (3%)	
4	Neutral White LED (4000K)					
	Lumen Output		4126 lm	6188 lm	8252 lm	12376 lm
	LOR		0.67	0.67	0.67	0.67
	CRI		80	80	80	80
	Total Power		24.9W	35.7W	49.8W	71.4W
	Power Factor		0.95	0.99	0.95	0.99
	Running Current		0.10A	0.15A	0.21A	0.31A
	Inrush Current (Std)		21.0A (126us)	32.0A (251us)	42.0A (126us)	64.0A (251us)
	Inrush Current (Dim)		13.6A (304us)	40.0A (178us)	27.2A (304us)	80.0A (178us)
	Efficacy		111 lm/W	116 lm/W	111 lm/W	116 lm/W
Emergency Output (BLF)		381 (9%)	381 (6%)	381 (4%)	381 (3%)	

Infinitas® Nano Direct

High Output

LED	Icon 1	Icon 2	Icon 3	Icon 4	Icon 5	Icon 6	Icon 7	Icon 8	Icon 9	Icon 10	Opal	Microprism
22W LED	1120mm	---	1301	---	LED	---	22	---	+	663	668	
33W LED	1680mm	---	1304	---	LED	---	33	---	+	664	669	
44W LED	2240mm	---	1307	---	LED	---	44	---	+	665	670	
66W LED	3360mm	---	1310	---	LED	---	66	---	+	666	671	

To ensure illumination uniformity **High, Medium** or **Low** Output Modules should **Not** be mixed. Modules should **always** be matched within their output group.

Options

- 303** 2x 5m Suspensions (wires only) (1120mm/1680mm Modules)
- 344** 3x 5m Suspensions (wires only) (2240mm/3360mm Modules)

Opal Option

- 700** 1120mm Opal Diffuser
- 701** 1680mm Opal Diffuser
- 702** 2240mm Opal Diffuser
- 703** 3360mm Opal Diffuser

Microprism Option

- 705** 1120mm Microprism Refractor and Film
- 706** 1680mm Microprism Refractor and Film
- 707** 2240mm Microprism Refractor and Film
- 708** 3360mm Microprism Refractor and Film

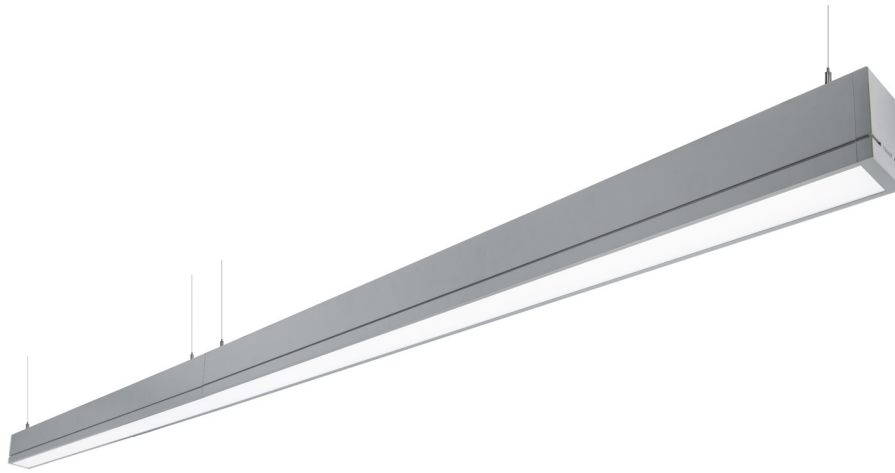
Only Low Output Modules with Microprism Refractor and Film achieve UGR<19.

- IU** Link Suspended **IW** Link Surface **IY** Link Recessed Bezel
- IJ** Solo Suspended **IL** Solo Surface **IQ** Solo Recessed Bezel

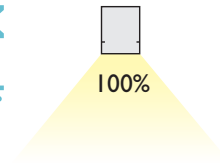
- A** Integral Driver
- E** Emergency
- J** Switch Dim
- K** Switch Dim + Emergency
- S** DALI Dim
- T** DALI Dim + Emergency
- C** DALI Dim + DALI Emergency
- L** DALI Bluetooth
- M** DALI Bluetooth + Emergency

- 3** Warm (3000K) **4** Neutral (4000K)

- I** White (RAL 9010) **2** Urban Graphite (RAL 7046) **3** Black (RAL 9005)



Medium Output



	CRI 80	15W	23W	30W	46W
3 Warm White LED (3000K)					
Lumen Output	2777 lm	4166 lm	5554 lm	8332 lm	
LOR	0.67	0.67	0.67	0.67	
CRI	80	80	80	80	
Total Power	17.1W	24.5W	34.2W	49.0W	
Power Factor	0.95	0.99	0.95	0.99	
Running Current	0.07A	0.11A	0.14A	0.21A	
Inrush Current (Std)	21.0A (126us)	32.0A (251us)	42.0A (126us)	64.0A (251us)	
Inrush Current (Dim)	13.6A (304us)	13.6A (304us)	27.2A (302us)	27.2A (304us)	
Efficacy	108 lm/W	113 lm/W	108 lm/W	113 lm/W	
Emergency Output (BLF)	358 (12%)	358 (8%)	358 (6%)	358 (4%)	
4 Neutral White LED (4000K)					
Lumen Output	2951 lm	4426 lm	5902 lm	8852 lm	
LOR	0.67	0.67	0.67	0.67	
CRI	80	80	80	80	
Total Power	17.1W	24.5W	34.2W	49.0W	
Power Factor	0.95	0.99	0.95	0.99	
Running Current	0.07A	0.11A	0.14A	0.21A	
Inrush Current (Std)	21.0A (126us)	32.0A (251us)	42.0A (126us)	64.0A (251us)	
Inrush Current (Dim)	13.6A (304us)	13.6A (304us)	27.2A (302us)	27.2A (304us)	
Efficacy	115 lm	121 lm	115 lm	121 lm	
Emergency Output (BLF)	381 (12%)	381 (8%)	381 (6%)	381 (4%)	

Infinitas® Nano Direct

Medium Output

LED	15W	23W	30W	46W	Opal	Microprism
LED	1120mm	1680mm	2240mm	3360mm		
LED	1301	1304	1307	1310		
LED	15	23	30	46		
LED	663	664	665	666		
LED	668	669	670	671		

To ensure illumination uniformity **High, Medium** or **Low** Output Modules should **Not** be mixed. Modules should **always** be matched within their output group.

Options

- 303** 2x 5m Suspensions (wires only) (1120mm/1680mm Modules)
- 344** 3x 5m Suspensions (wires only) (2240mm/3360mm Modules)

Opal Option

- 700** 1120mm Opal Diffuser
- 701** 1680mm Opal Diffuser
- 702** 2240mm Opal Diffuser
- 703** 3360mm Opal Diffuser

Microprism Option

- 705** 1120mm Microprism Refractor and Film
- 706** 1680mm Microprism Refractor and Film
- 707** 2240mm Microprism Refractor and Film
- 708** 3360mm Microprism Refractor and Film

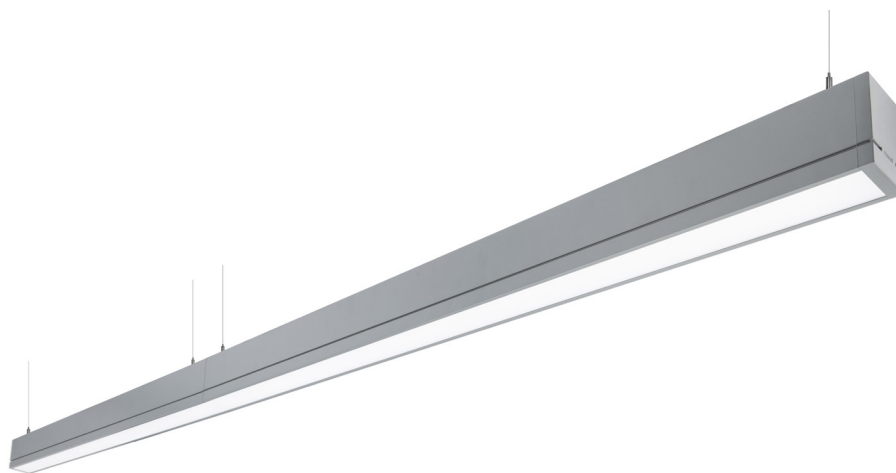
Only Low Output Modules with Microprism Refractor and Film achieve UGR<19.

- IU** Link Suspended **IW** Link Surface **IY** Link Recessed Bezel
- IJ** Solo Suspended **IL** Solo Surface **IQ** Solo Recessed Bezel

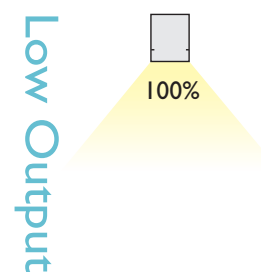
- A** Integral Driver
- E** Emergency
- J** Switch Dim
- K** Switch Dim + Emergency
- S** DALI Dim
- T** DALI Dim + Emergency
- C** DALI Dim + DALI Emergency
- L** DALI Bluetooth
- M** DALI Bluetooth + Emergency

- 3** Warm (3000K) **4** Neutral (4000K)

- 1** White (RAL 9010) **2** Urban Graphite (RAL 7046) **3** Black (RAL 9005)



		CRI 80	9W	13W	18W	26W
3	Warm White LED (3000K)					
	Lumen Output		1629 lm	2444 lm	3258 lm	4888 lm
	LOR		0.67	0.67	0.67	0.67
	CRI		80	80	80	80
	Total Power		9.6W	14.4W	19.2W	27.8W
	Power Factor		0.95	0.95	0.95	0.95
	Running Current		0.04A	0.06A	0.08A	0.11A
	Inrush Current (Std)		21.0A (126us)	21.0A (126us)	42.0A (126us)	42.0A (126us)
	Inrush Current (Dim)		13.6A (304us)	13.6A (304us)	27.2A (304us)	27.2A (304us)
	Efficacy		113 lm/W	113 lm/W	113 lm/W	117 lm/W
Emergency Output (BLF)		N/A	367 (15%)	N/A	367 (7%)	
4	Neutral White LED (4000K)					
	Lumen Output		1731 lm	2596 lm	3462 lm	5192 lm
	LOR		0.67	0.67	0.67	0.67
	CRI		80	80	80	80
	Total Power		9.6W	14.4W	19.2W	27.8W
	Power Factor		0.95	0.95	0.95	0.95
	Running Current		0.04A	0.06A	0.08A	0.11A
	Inrush Current (Std)		21.0A (126us)	21.0A (126us)	42.0A (126us)	42.0A (126us)
	Inrush Current (Dim)		13.6A (304us)	13.6A (304us)	27.2A (304us)	27.2A (304us)
	Efficacy		120 lm/W	120 lm/W	120 lm/W	125 lm/W
Emergency Output (BLF)		390 (22%)	390 (15%)	390 (11%)	390 (7%)	



Infinitas® Nano Direct

Low Output

LED	Icon 1	Icon 2	Icon 3	Icon 4	Icon 5	Icon 6	Icon 7	Icon 8	Icon 9	Icon 10	Opal	Microprism
9W LED	1120mm	---	1301	---	LED	09	---	+	663	668		
13W LED	1680mm	---	1304	---	LED	13	---	+	664	669		
18W LED	2240mm	---	1307	---	LED	18	---	+	665	670		
26W LED	3360mm	---	1310	---	LED	26	---	+	666	671		

To ensure illumination uniformity **High, Medium** or **Low** Output Modules should **Not** be mixed. Modules should **always** be matched within their output group.

Options

- 303** 2x 5m Suspensions (wires only) (1120mm/1680mm Modules)
- 344** 3x 5m Suspensions (wires only) (2240mm/3360mm Modules)

Opal Option

- 700** 1120mm Opal Diffuser
- 701** 1680mm Opal Diffuser
- 702** 2240mm Opal Diffuser
- 703** 3360mm Opal Diffuser

Microprism Option

- 705** 1120mm Microprism Refractor and Film
- 706** 1680mm Microprism Refractor and Film
- 707** 2240mm Microprism Refractor and Film
- 708** 3360mm Microprism Refractor and Film

Only Low Output Modules with Microprism Refractor and Film achieve UGR<19.

IU Link Suspended **IW** Link Surface **IY** Link Recessed Bezel

IJ Solo Suspended **IL** Solo Surface **IQ** Solo Recessed Bezel

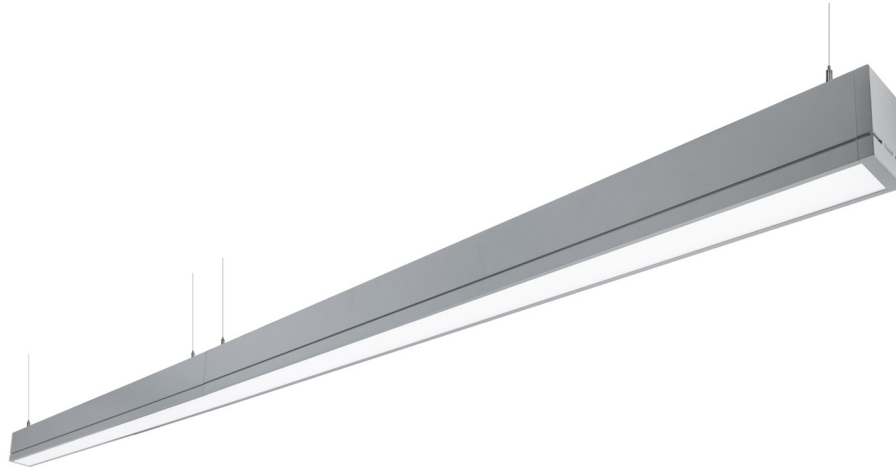
- A** Integral Driver
- E** Emergency
- J** Switch Dim
- K** Switch Dim + Emergency
- S** DALI Dim
- T** DALI Dim + Emergency
- C** DALI Dim + DALI Emergency
- L** DALI Bluetooth
- M** DALI Bluetooth + Emergency

3 Warm (3000K) **4** Neutral (4000K)

1 White (RAL 9010) **2** Urban Graphite (RAL 7046) **3** Black (RAL 9005)

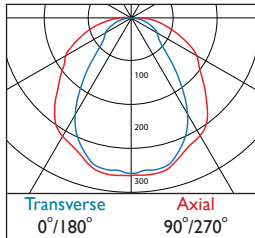
Tel: (0191) 280 9911 Email: technical@hacel.co.uk Web: www.hacel.co.uk

06/2023 - V3

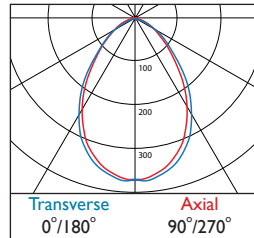


Infinitas® Nano Direct

Photometrics



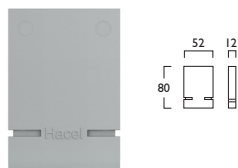
LOR: 0.67
Opal



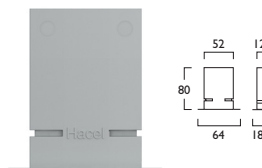
LOR: 0.63
Microprism

Infinitas® Nano End Caps Direct

2x End Caps	Surface/Suspended	IN1331	X	CAPO00	—		
2x End Caps	Recessed Bezel	IN1332	X	CAPO00	—		



Surface/Suspended



Recessed Bezel