

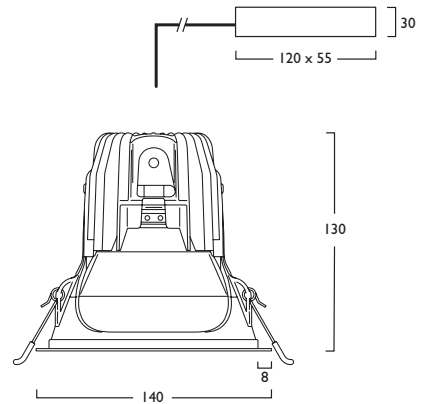


Figures shown below are based on Gear Type - A Remote Driver

3	Warm White LED (3000K)	CRI 80		
		7W	12W	17W
	Lumen Output	1148 lm	1971 lm	2738 lm
	LOR	0.81	0.81	0.81
	CRI	80	80	80
	Total Power	7.9W	13.8W	19.1W
	Power Factor	0.52	0.89	0.89
	Running Current	0.02A	0.05A	0.07A
	Inrush Current (Std)	10.0A (115us)	8.0A (80us)	8.0A (80us)
	Inrush Current (Dim)	15.0A (243us)	18.0A (140us)	25.0A (141us)
	Efficacy	117 lm/W	115 lm/W	116 lm/W
	Emergency Output (BLF)	448 lm (34%)	446 lm (22%)	456 lm (16%)

4	Neutral White LED (4000K)	CRI 80		
		7W	12W	17W
	Lumen Output	1187 lm	2043 lm	2829 lm
	LOR	0.81	0.81	0.81
	CRI	80	80	80
	Total Power	7.9W	13.8W	19.1W
	Power Factor	0.52	0.89	0.89
	Running Current	0.02A	0.05A	0.07A
	Inrush Current (Std)	10.0A (115us)	8.0A (80us)	8.0A (80us)
	Inrush Current (Dim)	15.0A (243us)	18.0A (140us)	25.0A (141us)
	Efficacy	121 lm/W	119 lm/W	119 lm/W
	Emergency Output (BLF)	467 lm (34%)	465 lm (22%)	476 lm (16%)



## Solsa

LED CRI 80

7W	LED	ID1344	LED	07	+	727	728	729
12W	LED	ID1344	LED	12	+	727	728	729
17W	LED	ID1344	LED	17	+	727	728	729

230V 50Hz IP 20 127mm Ø 1.1 kg

Add required Reflector to code from list shown over (Options - Reflector)

- Discreet bezel for minimalistic aesthetic appearance
- Precision die-cast construction
- Choice of outputs up to 2829 lumens
- Efficacies up to 121 lm/W
- Life expectancy of 50,000 hours (L90 B10)
- Colour stability within 3 MacAdams
- Wireless Lighting Control available, see Connected video for full overview
- CRI 90 option available ID1345

Gear types F & G must be operated through a DSI

- A Integral Driver/Remote
- E Emergency
- F Digital Dim
- G Digital Dim + Emergency
- J Switch Dim
- K Switch Dim + Emergency
- S DALI Dim
- T DALI Dim + Emergency
- C DALI Dim + DALI Emergency
- L DALI Bluetooth
- M DALI Bluetooth + Emergency

- 3 Warm (3000K) 4 Neutral (4000K)
- 1 White (RAL 9010) 2 Urban Graphite (RAL 7046) 3 Black (RAL 9005)

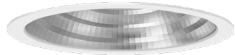
Reflector Options - Examples Shown on page 2



## Solsa

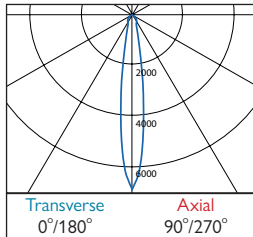
### Options

#### ■ Reflector Options

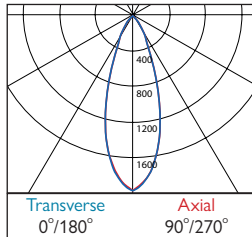


- 596 Medium Beam 45° (STD)
- 597 Narrow Beam 10°
- 598 Wide Beam 70°

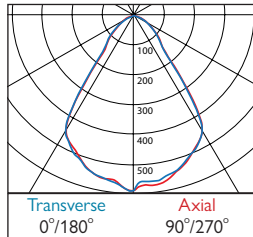
### Photometrics



**727** DLOR: 0.81



**728** DLOR: 0.81



**729** DLOR: 0.84