

Infinitas® Micro Direct

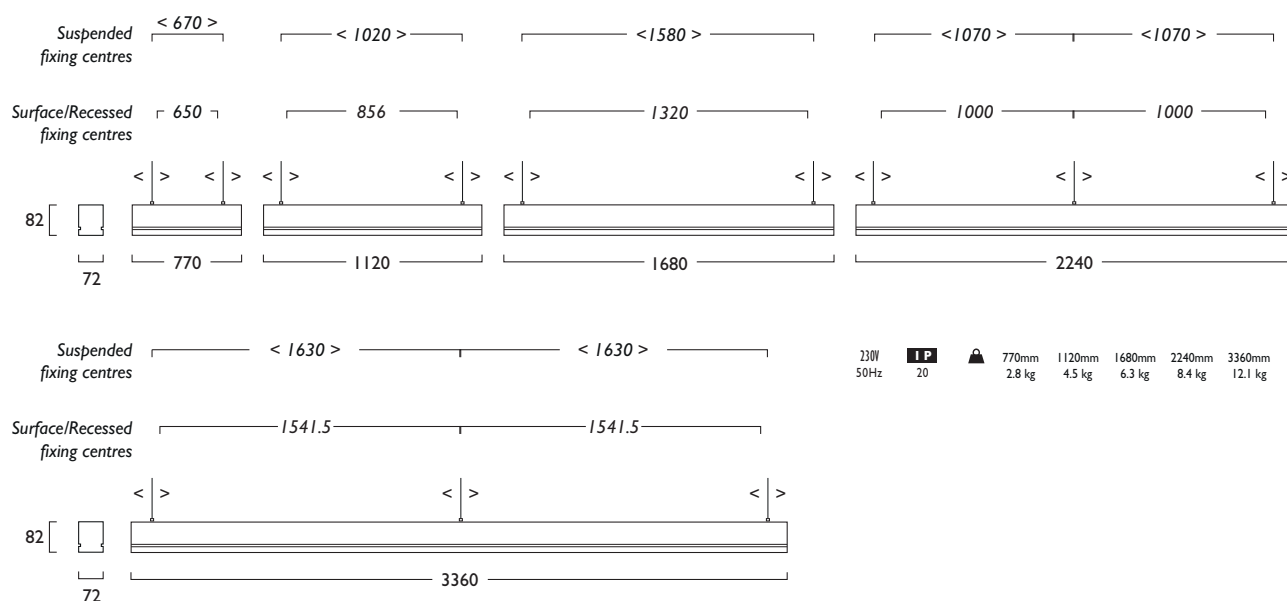
Infinitas® Micro by Hacer is a refined LED system. Designed and manufactured in the UK, Infinitas® Micro is sophisticated and minimal in its design. Precision extruded luminaires are available in Surface, Suspended or Recessed in both Bezel and Bezel free formats.

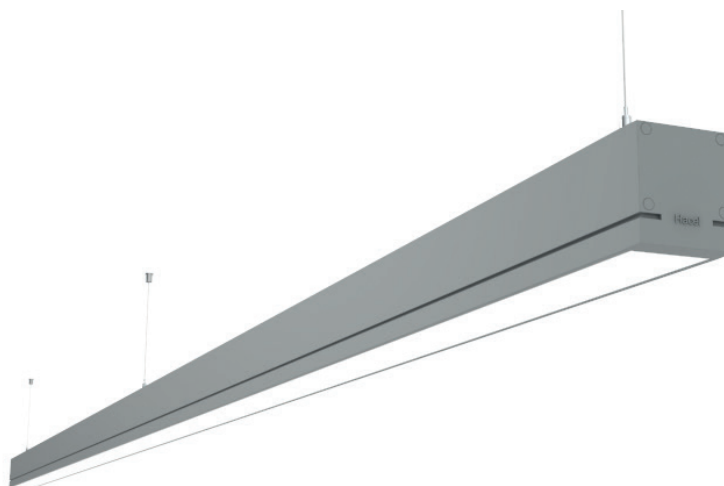
As part of the Infinitas® range, creating continuous lines of uninterrupted uniform lighting, the flexibility of Infinitas® Micro is further enhanced by Direct and Indirect lighting variations and complete illuminated 90° corners are available, offering diversity in architectural lighting design.

Stylish solo modules are also available to compliment the continuous system. Solo Modules are supplied complete with End Caps.

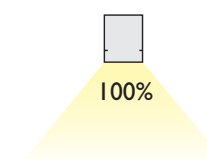
- Available in High, Medium or Low Output Modules
- Medium and Low Output Modules with Microprism Refractor and Film achieve UGR <19
- Plug and socket connections for quick assembly on link systems
- Offering a choice of lumen outputs, delivering up to 12294 lumens
- Efficacies up to 134 lm/W
- Life expectancy of 72,000 hours (L80 B10)
- Corporate colours made to special order
- Suspended luminaires are supplied complete with 2m Wire Suspensions (variable positioning)
- All Modules are available with MicroPrism Refractors or Opal Diffusers, see option codes
- Wireless Lighting Control available, see Connected video for full overview

Suspended/Surface/Recessed Modules Fixing Centres (mm)





High Output



3	Warm White LED (3000K)	CRI 80				
		15W	22W	34W	45W	67W
	Lumen Output	2697 lm	3916 lm	5874 lm	7832 lm	11748 lm
	LOR	0.73	0.73	0.73	0.73	0.73
	CRI	80	80	80	80	80
	Total Power	16.7W	24.3W	35.8W	48.6W	71.6W
	Power Factor	0.95	0.95	0.95	0.95	0.95
	Running Current	0.08A	0.11A	0.16A	0.22A	0.33A
	Inrush Current (Std)	15.0A (250us)	15.0A (250us)	25.0A (280us)	30.0A (250us)	50.0A (280us)
	Inrush Current (Dim)	29.0A (180us)	29.0A (180us)	29.0A (180us)	58.0A (180us)	58.0A (180us)
	Efficacy	117 lm/W	117 lm/W	119 lm/W	117 lm/W	119 lm/W
	Emergency Output (BLF)	N/A	469 (12%)	449 (8%)	469 (6%)	469 (4%)

4	Neutral White LED (4000K)	CRI 80				
		15W	22W	34W	45W	67W
	Lumen Output	2822 lm	4098 lm	6147 lm	8196 lm	12294 lm
	LOR	0.73	0.73	0.73	0.73	0.73
	CRI	80	80	80	80	80
	Total Power	16.7W	24.3W	35.8W	48.6W	71.6W
	Power Factor	0.95	0.95	0.95	0.95	0.95
	Running Current	0.08A	0.11A	0.16A	0.22A	0.33A
	Inrush Current (Std)	15.0A (250us)	15.0A (250us)	25.0A (280us)	30.0A (250us)	50.0A (280us)
	Inrush Current (Dim)	29.0A (180us)	29.0A (180us)	29.0A (180us)	58.0A (180us)	58.0A (180us)
	Efficacy	123 lm/W	123 lm/W	125 lm/W	123 lm/W	125 lm/W
	Emergency Output (BLF)	N/A	491 (12%)	491 (8%)	491 (6%)	491 (4%)

Infinitas® Micro Direct

High Output

LED	770mm	1120mm	1680mm	2240mm	3360mm	Opal	Microprism
15W LED	1116	1120	1124	1128	1132	510	610
22W LED	1116	1120	1124	1128	1132	511	611
34W LED	1116	1120	1124	1128	1132	512	612
45W LED	1116	1120	1124	1128	1132	513	613
67W LED	1116	1120	1124	1128	1132	514	614

770mm Not available in Emergency Gear Types.

To ensure illumination uniformity High, Medium or Low Output Modules should **not** be mixed. Modules should **always** be matched within their output group.

- IU** Link Suspended **IW** Link Surface **IY** Link Recessed Bezel **IZ** Link Recessed Bezel Free
- IJ** Solo Suspended **IL** Solo Surface **IQ** Solo Recessed Bezel **IR** Solo Recessed Bezel Free

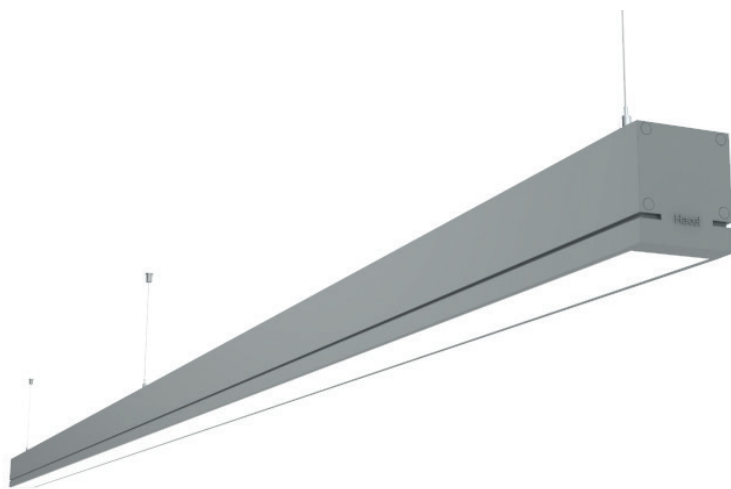
- A** Integral Driver/Remote
- E** Emergency
- J** Switch Dim
- K** Switch Dim + Emergency
- S** DALI Dim
- T** DALI Dim + Emergency
- C** DALI Dim + DALI Emergency
- L** DALI Bluetooth
- M** DALI Bluetooth + Emergency

- 3** Warm (3000K) **4** Neutral (4000K)

- 1** White (RAL 9010) **2** Urban Graphite (RAL 7046) **3** Black (RAL 9005)

Options

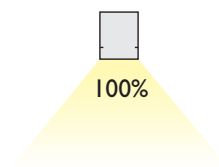
- 303** 2x 5m Suspensions (wires only) (560mm/1120mm/1680mm Modules)
- 344** 3x 5m Suspensions (wires only) (2240mm/3360mm Modules)
- 600** 770mm Opal Diffuser
- 601** 1120mm Opal Diffuser
- 602** 1680mm Opal Diffuser
- 603** 2240mm Opal Diffuser
- 604** 3360mm Opal Diffuser
- 606** 770mm Microprism Refractor and Film
- 607** 1120mm Microprism Refractor and Film
- 608** 1680mm Microprism Refractor and Film
- 609** 2240mm Microprism Refractor and Film
- 610** 3360mm Microprism Refractor and Film



3	Warm White LED (3000K)	CRI 80	11W	15W	23W	31W	46W
	Lumen Output		1932 lm	2806 lm	4209 lm	5612 lm	8418 lm
	LOR		0.73	0.73	0.73	0.73	0.73
	CRI		80	80	80	80	80
	Total Power		11.0W	16.1W	24.1W	32.1W	48.2W
	Power Factor		0.98	0.98	0.98	0.98	0.98
	Running Current		0.05A	0.07A	0.11A	0.14A	0.21A
	Inrush Current (Std)		32.0A (240us)	32.0A (240us)	32.0A (240us)	64.0A (240us)	64.0A (240us)
	Inrush Current (Dim)		29.0A (180us)	29.0A (180us)	29.0A (180us)	58.0A (180us)	58.0A (180us)
	Efficacy		128 lm/W	127 lm/W	127 lm/W	127 lm/W	127 lm/W
	Emergency Output (BLF)		N/A	505 (18%)	505 (12%)	505 (9%)	505 (6%)

4	Neutral White LED (4000K)	CRI 80	11W	15W	23W	31W	46W
	Lumen Output		2022 lm	2936 lm	4404 lm	5872 lm	8808 lm
	LOR		0.73	0.73	0.73	0.73	0.73
	CRI		80	80	80	80	80
	Total Power		11.0W	16.1W	24.1W	32.1W	48.2W
	Power Factor		0.98	0.98	0.98	0.98	0.98
	Running Current		0.05A	0.07A	0.11A	0.14A	0.21A
	Inrush Current (Std)		32.0A (240us)	32.0A (240us)	32.0A (240us)	64.0A (240us)	64.0A (240us)
	Inrush Current (Dim)		29.0A (180us)	29.0A (180us)	29.0A (180us)	58.0A (180us)	58.0A (180us)
	Efficacy		134 lm/W	133 lm/W	133 lm/W	133 lm/W	133 lm/W
	Emergency Output (BLF)		N/A	528 (18%)	528 (12%)	528 (9%)	528 (6%)

Medium Output



Infinitas® Micro Direct

Medium Output

LED	770mm	1120mm	1680mm	2240mm	3360mm	Opal	Microprism
11W LED	1116	1120	1124	1128	1132	510	610
15W LED	15	15	23	31	46	511	611
23W LED	23	23	31	31	46	512	612
31W LED	31	31	31	31	46	513	613
46W LED	46	46	46	46	46	514	614

770mm Not available in Emergency Gear Types.

To ensure illumination uniformity High, Medium or Low Output Modules should **not** be mixed. Modules should **always** be matched within their output group.

- IU** Link Suspended **IW** Link Surface **IY** Link Recessed Bezel **IZ** Link Recessed Bezel Free
- IJ** Solo Suspended **IL** Solo Surface **IQ** Solo Recessed Bezel **IR** Solo Recessed Bezel Free

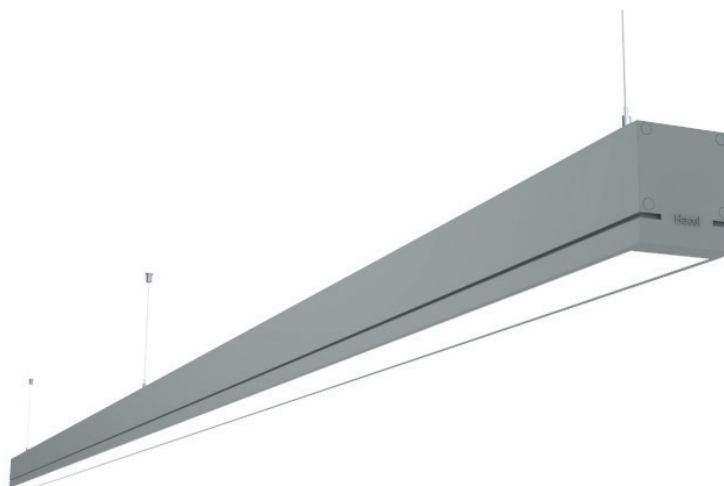
- A** Integral Driver/Remote
- E** Emergency
- J** Switch Dim
- K** Switch Dim + Emergency
- S** DALI Dim
- T** DALI Dim + Emergency
- C** DALI Dim + DALI Emergency
- L** DALI Bluetooth
- M** DALI Bluetooth + Emergency

- 3** Warm (3000K) **4** Neutral (4000K)

- 1** White (RAL 9010) **2** Urban Graphite (RAL 7046) **3** Black (RAL 9005)

Options

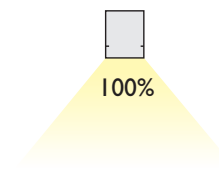
- 303** 2x 5m Suspensions (wires only) (560mm/1120mm/1680mm Modules)
- 344** 3x 5m Suspensions (wires only) (2240mm/3360mm Modules)
- 600** 770mm Opal Diffuser
- 601** 1120mm Opal Diffuser
- 602** 1680mm Opal Diffuser
- 603** 2240mm Opal Diffuser
- 604** 3360mm Opal Diffuser
- 606** 770mm Microprism Refractor and Film
- 607** 1120mm Microprism Refractor and Film
- 608** 1680mm Microprism Refractor and Film
- 609** 2240mm Microprism Refractor and Film
- 610** 3360mm Microprism Refractor and Film



3	Warm White LED (3000K)	CRI 80	6W	9W	13W	17W	26W
	Lumen Output		1112 lm	1614 lm	2421 lm	3228 lm	4842 lm
	LOR		0.63	0.63	0.63	0.63	0.63
	CRI		80	80	80	80	80
	Total Power		6.2W	9.0W	13.5W	18.0W	27.0W
	Power Factor		0.98	0.98	0.98	0.98	0.98
	Running Current		0.03A	0.04A	0.06A	0.08A	0.12A
	Inrush Current (Std)		29.0A (180us)	32.0A (240us)	32.0A (240us)	64.0A (240us)	64.0A (240us)
	Inrush Current (Dim)		29.0A (180us)	29.0A (180us)	29.0A (180us)	58.0A (180us)	58.0A (180us)
	Efficacy		112 lm/W	112 lm/W	112 lm/W	113 lm/W	112 lm/W
	Emergency Output (BLF)		N/A	532 (33%)	532 (22%)	518 (16%)	532 (11%)

4	Neutral White LED (4000K)	CRI 80	6W	9W	13W	17W	26W
	Lumen Output		1164 lm	1690 lm	2535 lm	3380 lm	5070 lm
	LOR		0.63	0.63	0.63	0.63	0.63
	CRI		80	80	80	80	80
	Total Power		6.2W	9.0W	13.5W	18.0W	27.0W
	Power Factor		0.98	0.98	0.98	0.98	0.98
	Running Current		0.03A	0.04A	0.06A	0.08A	0.12A
	Inrush Current (Std)		29.0A (180us)	32.0A (240us)	32.0A (240us)	64.0A (240us)	64.0A (240us)
	Inrush Current (Dim)		29.0A (180us)	29.0A (180us)	29.0A (180us)	58.0A (180us)	58.0A (180us)
	Efficacy		118 lm/W	118 lm/W	118 lm/W	118 lm/W	118 lm/W
	Emergency Output (BLF)		N/A	557 (33%)	557 (22%)	540 (16%)	557 (11%)

Low Output



Infinitas® Micro Direct

Low Output

LED	770mm	1120mm	1680mm	2240mm	3360mm	Opal	Microprism
6W LED	1116	1120	1124	1128	1132	615	515
9W LED	06	09	13	17	26	616	516
13W LED						617	517
17W LED						618	518
26W LED						619	519

770mm Not available in Emergency Gear Types.

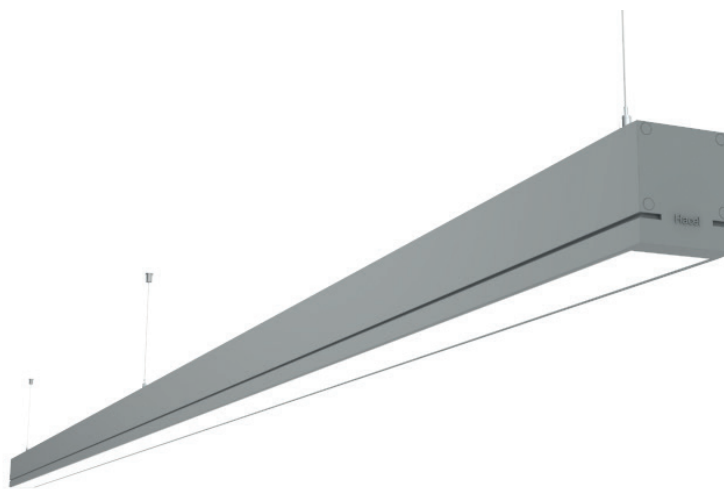
To ensure illumination uniformity High, Medium or Low Output Modules should **not** be mixed. Modules should **always** be matched within their output group.

- IU** Link Suspended **IW** Link Surface **IY** Link Recessed Bezel **IZ** Link Recessed Bezel Free
- IJ** Solo Suspended **IL** Solo Surface **IQ** Solo Recessed Bezel **IR** Solo Recessed Bezel Free
- A** Integral Driver/Remote
- E** Emergency
- J** Switch Dim
- K** Switch Dim + Emergency
- S** DALI Dim
- T** DALI Dim + Emergency
- C** DALI Dim + DALI Emergency
- L** DALI Bluetooth
- M** DALI Bluetooth + Emergency
- 3** Warm (3000K) **4** Neutral (4000K)
- 1** White (RAL 9010) **2** Urban Graphite (RAL 7046) **3** Black (RAL 9005)

Options

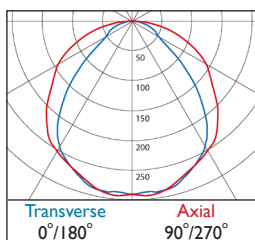
- 303** 2x 5m Suspensions (wires only) (560mm/1120mm/1680mm Modules)
- 344** 3x 5m Suspensions (wires only) (2240mm/3360mm Modules)
- 600** 770mm Opal Diffuser
- 601** 1120mm Opal Diffuser
- 602** 1680mm Opal Diffuser
- 603** 2240mm Opal Diffuser
- 604** 3360mm Opal Diffuser
- 606** 770mm Microprism Refractor and Film
- 607** 1120mm Microprism Refractor and Film
- 608** 1680mm Microprism Refractor and Film
- 609** 2240mm Microprism Refractor and Film
- 610** 3360mm Microprism Refractor and Film

Only Low Output Modules with Microprism Refractor and Film achieve UGR<1.9.

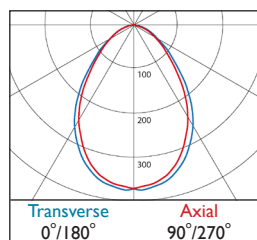


Infinitas® Micro Direct

Photometrics



510-514 DLOR: 0.73



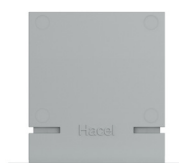
515-519 DLOR: 0.63

Infinitas® Micro - End Caps Direct

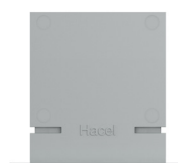
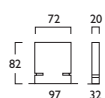
2x End Caps	Surface/Suspended	IN1110	X CAP000	—
2x End Caps	Recessed Bezel	IN1111	X CAP000	—
2x End Caps	Recessed Bezel Free	IN1112	X CAP000	—



Surface/Suspended



Recessed Bezel



Recessed Bezel Free

