

Infinitas® Nano Xcel Direct Indirect

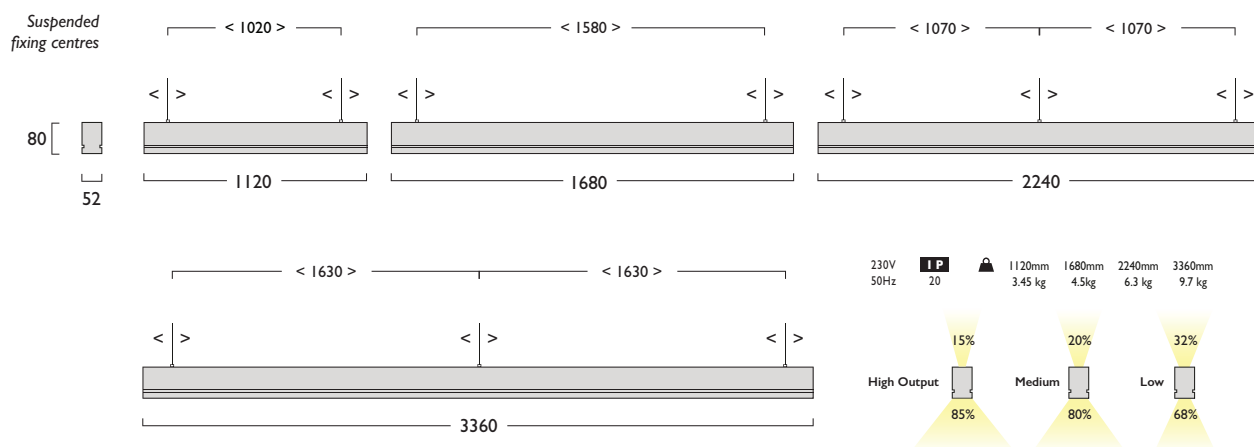
Infinitas® Nano Xcel by Hacer is a refined LED system. Designed and manufactured in the UK, Infinitas® Nano Xcel is sophisticated and minimal in its design. Precision extruded luminaires are available in Suspended, Surface or Recessed formats.

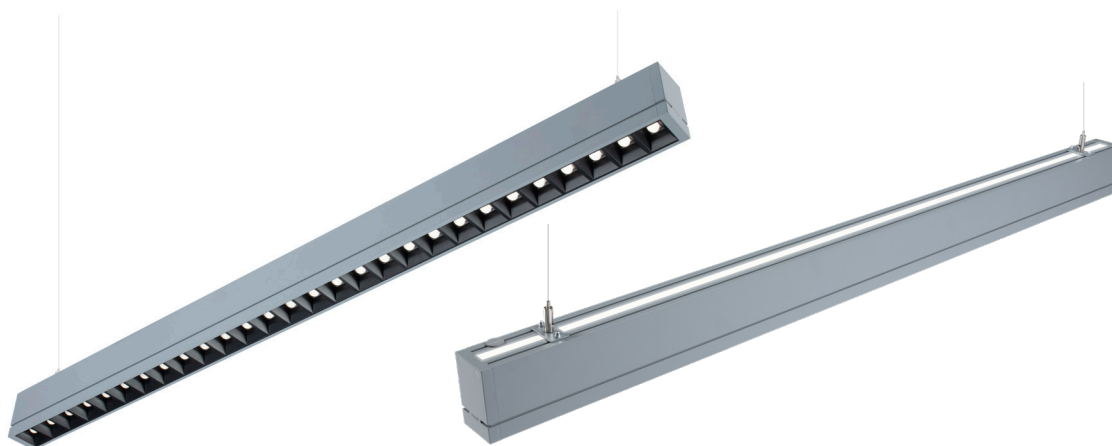
As part of the Infinitas® range, creating continuous lines of uninterrupted uniform lighting, the flexibility of Infinitas® Nano Xcel is further enhanced by Direct and Direct/Indirect lighting variations and complete illuminated 90° corners are available, offering diversity in architectural lighting design.

Stylish Solo Modules are also available to compliment the continuous system. Solo Modules are supplied complete with End Caps.

- Available in High, Medium or Low Output Modules
- Clip in gear trays for ease of installation - 70% quicker than screw in trays
- Plug and Socket connections for quick assembly on link systems
- Offering a choice of lumen outputs, delivering up to 14214 lumens
- Efficacies up to 109 lm/W
- Features efficient uplighting functionality
- Life expectancy in excess of 72,000 hours (L80 B10)/ 50,000 hours
- Low, Medium and High Output Modules achieve a UGR <19
- Corporate colours made to special order
- Suspended luminaires are supplied complete with 2m Wire Suspensions (variable positioning)
- Wireless Lighting Control available, see Connected video for full overview

Suspended Modules Fixing Centres (mm)



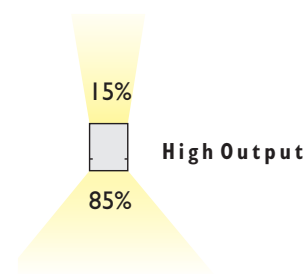


3	Warm White LED (3000K)	CRI 80	27W	40W	54W	81W
	Lumen Output		4551 lm	6793 lm	9102 lm	13652 lm
	LOR		0.7	0.7	0.7	0.7
	CRI		80	80	80	80
	Total Power		30.9W	44.7W	61.8W	90.6W
	Power Factor		0.95/0.92	0.92	0.95/0.92	0.95/0.92
	Running Current		0.12A	0.18A	0.23A	0.37A
	Inrush Current (Std)		48.0A (320us)	45.0A (320us)	73.0A (320us)	63.0A (320us)
	Inrush Current (Dim)		36.6A (320us)	36.6A (320us)	50.2A (320us)	50.2A (320us)
	Efficacy		103 lm/W	106 lm/W	103 lm/W	105 lm/W
	Emergency Output (BLF)		N/A	389 (5%)*	N/A	389 (2%)*

4	Neutral White LED (4000K)	CRI 80	27W	40W	54W	81W
	Lumen Output		4739 lm	7075 lm	9478 lm	14214 lm
	LOR		0.7	0.7	0.7	0.7
	CRI		80	80	80	80
	Total Power		30.9W	44.7W	61.8W	90.6W
	Power Factor		0.95/0.92	0.92	0.95/0.92	0.95/0.92
	Running Current		0.12A	0.18A	0.23A	0.37A
	Inrush Current (Std)		48.0A (320us)	45.0A (320us)	73.0A (320us)	63.0A (320us)
	Inrush Current (Dim)		36.6A (320us)	36.6A (320us)	50.2A (320us)	50.2A (320us)
	Efficacy		107 lm/W	110 lm/W	107 lm/W	109 lm/W
	Emergency Output (BLF)		N/A	407 (5%)*	407 (4%)*	407 (2%)*

* % of Direct illumination

High Output



Infinitas® Nano Xcel Direct Indirect

High Output



LED

27W	LED	1120mm	---	1318	---	LED	---	27	---	+	658
40W	LED	1680mm	---	1321	---	LED	---	40	---	+	659
54W	LED	2240mm	---	1324	---	LED	---	54	---	+	660
81W	LED	3360mm	---	1327	---	LED	---	81	---	+	661

1120mm **Not** available in Emergency Gear Type (E, K, T, C, & M)

To ensure illumination uniformity **High, Medium** or **Low** Output Modules should **Not** be mixed. Modules should **always** be matched within their output group.

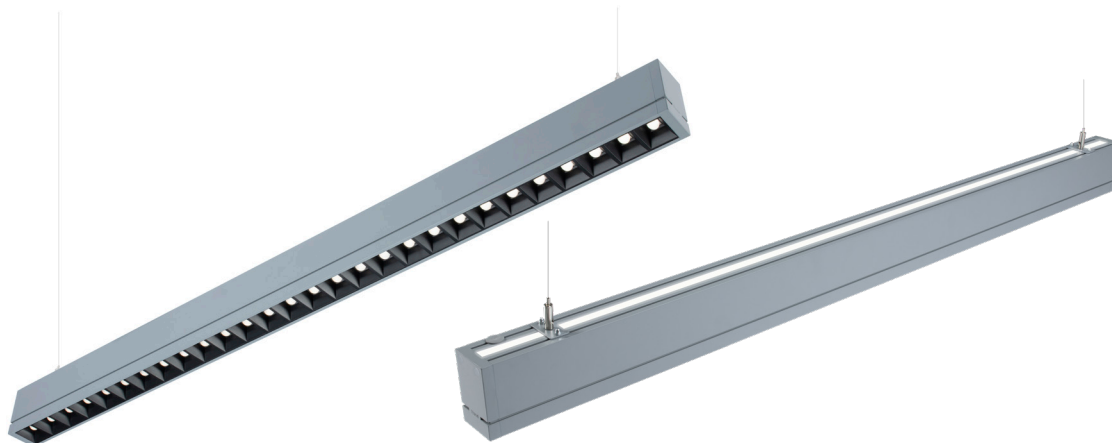
- IV** Link Suspended (Direct/Indirect)
- IK** Solo Suspended (Direct/Indirect)
- A** Integral Driver/Remote
- E** Emergency
- J** Switch Dim
- K** Switch Dim + Emergency
- S** DALI Dim
- T** DALI Dim + Emergency
- C** DALI Dim + DALI Emergency
- L** DALI Bluetooth
- M** DALI Bluetooth + Emergency

3 Warm (3000K) **4** Neutral (4000K)

I White (RAL 9010) **2** Urban Graphite (RAL 7046) **3** Black (RAL 9005)

Options

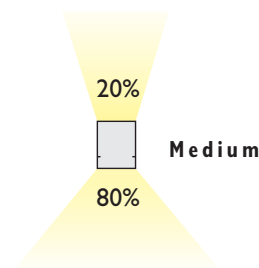
- 303** 2x 5m Suspensions (wires only) (560mm/1120mm/1680mm Modules)
- 344** 3x 5m Suspensions (wires only) (2240mm/3360mm Modules)



	CRI 80	21W	31W	42W	64W
3 Warm White LED (3000K)					
Lumen Output		3530 lm	5261 lm	7060 lm	10588 lm
LOR		0.7	0.7	0.7	0.7
CRI		80	80	80	80
Total Power		23.8W	36.3W	47.6W	73.5W
Power Factor		0.95/0.92	0.95/0.92	0.95/0.92	0.95/0.92
Running Current		0.10A	0.15A	0.20A	0.29A
Inrush Current (Std)		44.0A (320us)	44.0A (320us)	45.4A (320us)	65.0A (320us)
Inrush Current (Dim)		36.6A (320us)	36.6A (320us)	50.2A (320us)	50.2A (320us)
Efficacy		103 lm/W	101 lm/W	103 lm/W	100 lm/W
Emergency Output (BLF)		N/A	389 (7%)*	389 (5%)*	389 (3%)*
4 Neutral White LED (4000K)					
Lumen Output		3671 lm	5473 lm	7342 lm	11013 lm
LOR		0.7	0.7	0.7	0.7
CRI		80	80	80	80
Total Power		23.8W	36.3W	47.6W	73.5W
Power Factor		0.95/0.92	0.95/0.92	0.95/0.92	0.95/0.92
Running Current		0.10A	0.15A	0.20A	0.29A
Inrush Current (Std)		44.0A (320us)	44.0A (320us)	45.4A (320us)	65.0A (320us)
Inrush Current (Dim)		36.6A (320us)	36.6A (320us)	50.2A (320us)	50.2A (320us)
Efficacy		107 lm/W	105 lm/W	107 lm/W	104 lm/W
Emergency Output (BLF)		N/A	407 (7%)*	407 (5%)*	407 (3%)*

*% of Direct illumination

Medium Output



Infinitas® Nano Xcel Direct Indirect

Medium Output



LED

21W	LED	1120mm	---	1318	---	LED	---	21	---	+	653
31W	LED	1680mm	---	1321	---	LED	---	31	---	+	654
42W	LED	2240mm	---	1324	---	LED	---	42	---	+	655
64W	LED	3360mm	---	1327	---	LED	---	64	---	+	656

1120mm **Not available in Emergency Gear Type (E, K, T, C, & M)**

To ensure illumination uniformity **High, Medium or Low** Output Modules should **Not** be mixed. Modules should **always** be matched within their output group.

- IV** Link Suspended (Direct/Indirect)
- IK** Solo Suspended (Direct/Indirect)

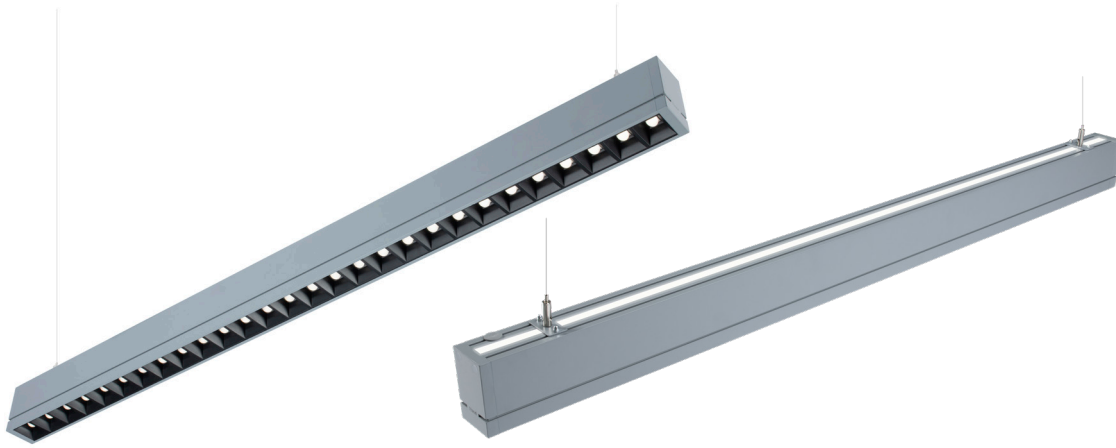
- A** Integral Driver/Remote
- E** Emergency
- J** Switch Dim
- K** Switch Dim + Emergency
- S** DALI Dim
- T** DALI Dim + Emergency
- C** DALI Dim + DALI Emergency
- L** DALI Bluetooth
- M** DALI Bluetooth + Emergency

3 Warm (3000K) **4** Neutral (4000K)

I White (RAL 9010) **2** Urban Graphite (RAL 7046) **3** Black (RAL 9005)

Options

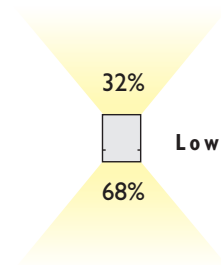
- 303** 2x 5m Suspensions (wires only) (560mm/1120mm/1680mm Modules)
- 344** 3x 5m Suspensions (wires only) (2240mm/3360mm Modules)



	CRI 80	15W	23W	30W	47W
3 Warm White LED (3000K)					
Lumen Output		2494 lm	3707 lm	4988 lm	7480 lm
LOR		0.7	0.7	0.7	0.7
CRI		80	80	80	80
Total Power		17.6W	26.0W	35.2W	52.0W
Power Factor		0.95/0.92	0.95/0.92	0.95/0.92	0.95/0.92
Running Current		0.07A	0.10A	0.15A	0.21A
Inrush Current (Std)		31.0A (320us)	38.0A (320us)	39.0A (320us)	53.0A (320us)
Inrush Current (Dim)		36.6A (320us)	36.6A (320us)	50.2A (320us)	36.6A (320us)
Efficacy		99 lm/W	99 lm/W	99 lm/W	100 lm/W
Emergency Output (BLF)		N/A	404 (10%)*	N/A	404 (5%)*
4 Neutral White LED (4000K)					
Lumen Output		2587 lm	3847 lm	5174 lm	7711 lm
LOR		0.7	0.7	0.7	0.7
CRI		80	80	80	80
Total Power		17.6W	26.0W	35.2W	52.0W
Power Factor		0.95/0.92	0.95/0.92	0.95/0.92	0.95/0.92
Running Current		0.07A	0.10A	0.15A	0.21A
Inrush Current (Std)		31.0A (320us)	38.0A (320us)	39.0A (320us)	53.0A (320us)
Inrush Current (Dim)		36.6A (320us)	36.6A (320us)	50.2A (320us)	36.6A (320us)
Efficacy		102 lm/W	103 lm/W	102 lm/W	103 lm/W
Emergency Output (BLF)		N/A	422 (10%)*	422 (8%)*	422 (5%)*

* % of Direct illumination

Low Output



Infinitas® Nano Xcel Direct Indirect

Low Output



LED

15W	LED	1120mm	---	1318	---	LED	---	15	---	+	648
23W	LED	1680mm	---	1321	---	LED	---	23	---	+	649
30W	LED	2240mm	---	1324	---	LED	---	30	---	+	650
47W	LED	3360mm	---	1327	---	LED	---	47	---	+	651

1120mm **Not** available in Emergency Gear Type (E, K, T, C, & M)

To ensure illumination uniformity **High, Medium** or **Low** Output Modules should **Not** be mixed. Modules should **always** be matched within their output group.

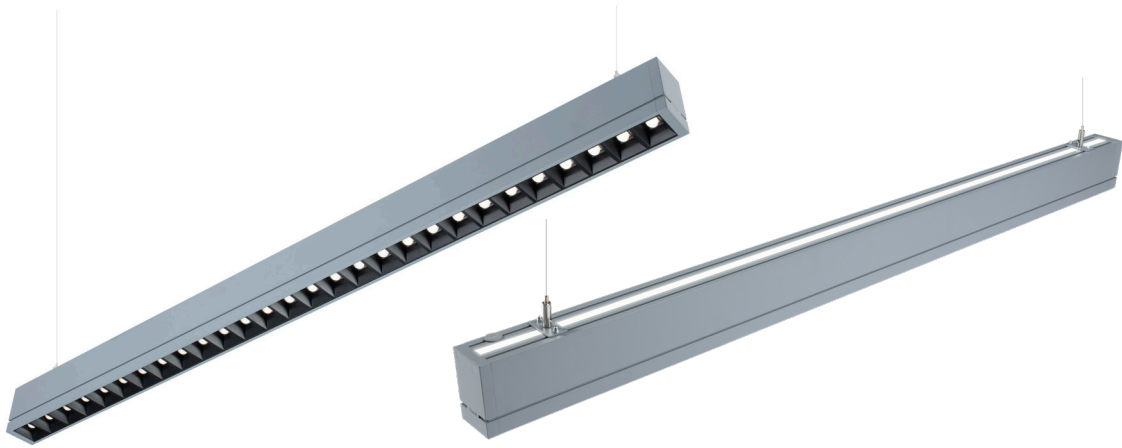
- IV** Link Suspended (Direct/Indirect)
- IK** Solo Suspended (Direct/Indirect)
- A** Integral Driver/Remote
- E** Emergency
- J** Switch Dim
- K** Switch Dim + Emergency
- S** DALI Dim
- T** DALI Dim + Emergency
- C** DALI Dim + DALI Emergency
- L** DALI Bluetooth
- M** DALI Bluetooth + Emergency

3 Warm (3000K) **4** Neutral (4000K)

I White (RAL 9010) **2** Urban Graphite (RAL 7046) **3** Black (RAL 9005)

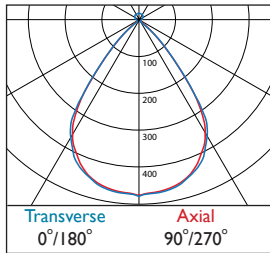
Options

- 303** 2x 5m Suspensions (wires only) (560mm/1120mm/1680mm Modules)
- 344** 3x 5m Suspensions (wires only) (2240mm/3360mm Modules)



Infinitas® Nano Xcel Direct Indirect

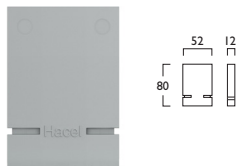
Photometrics



LOR: 0.70

Infinitas® Nano Xcel End Caps Direct

2x End Caps **Suspended** **IN1331** **X** **CA000**



Suspended