

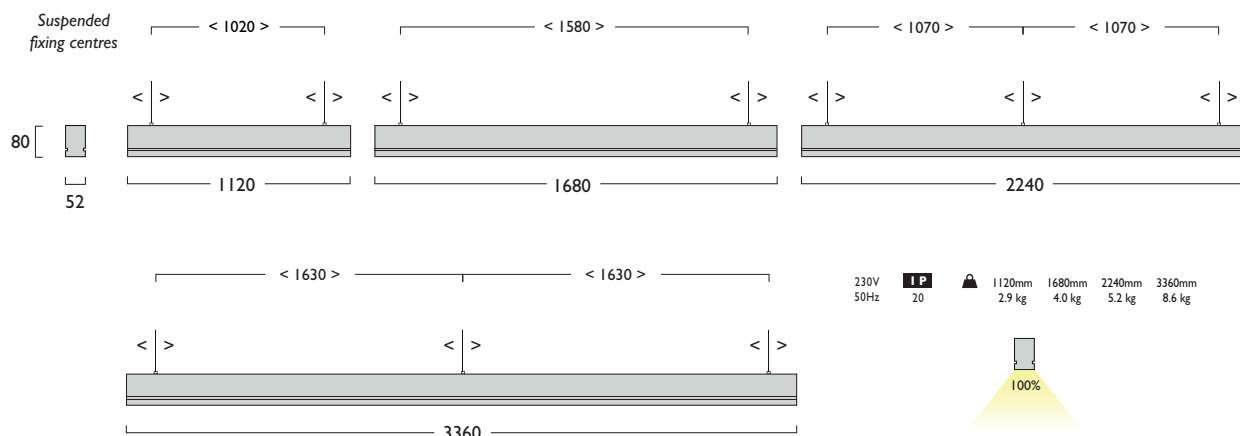
## Infinitas® Nano Direct Indirect

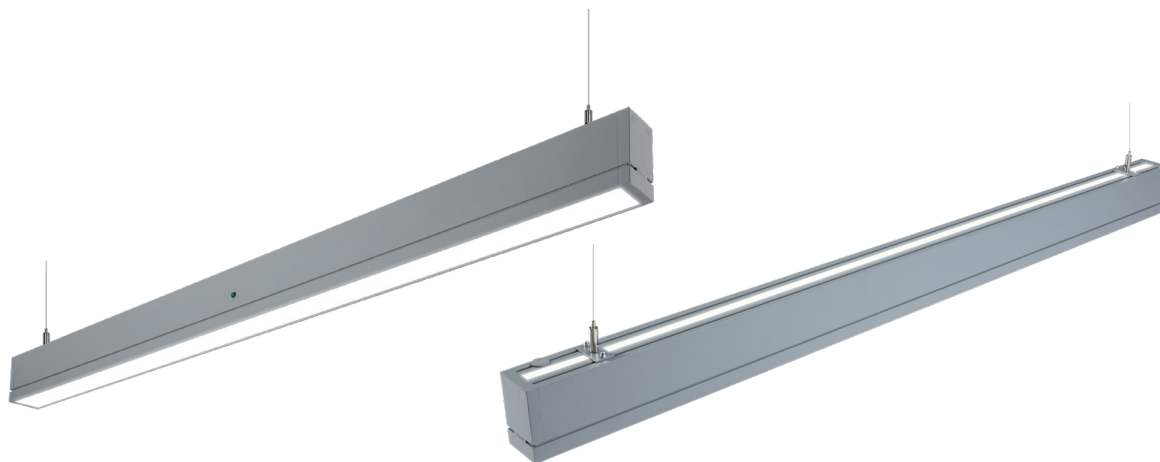
Infinitas® Nano by Hacer is a refined LED system. Designed and manufactured in the UK, Infinitas® Nano is sophisticated and minimal in its design. Precision extruded luminaires are available in Suspended, Surface or Recessed formats. As part of the Infinitas® range, creating continuous lines of uninterrupted uniform lighting, the flexibility of Infinitas® Nano is further enhanced by Direct and Direct/Indirect lighting variations and complete illuminated 90° corners are available, offering diversity in architectural lighting design.

Stylish Solo Modules are also available to compliment the continuous system. Solo Modules are supplied complete with End Caps.

- Available in High, Medium or Low Output Modules
- Low Output Modules with Microprism Refractor and Film achieve UGR <19
- Clip in gear trays for ease of installation - 70% quicker than screw in trays
- Plug and socket connections for quick assembly on link systems
- Offering a choice of lumen outputs, delivering up to 14587 lumens
- Efficacies up to 108 lm/W
- Features efficient uplighting functionality
- Life expectancy in excess of 72,000 hours (L80 B10)
- Corporate colours made to special order
- Suspended luminaires are supplied complete with 2m Wire Suspensions (variable positioning)
- All Modules are available with MicroPrism Refractors or Opal Diffusers, see option codes
- Wireless Lighting Control available, see Connected video for full overview

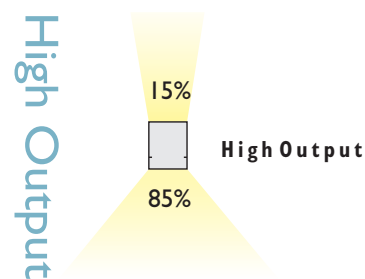
## Suspended Modules Fixing Centres (mm)





		CRI 80	28W	42W	56W	84W
<b>3</b>	<b>Warm White LED (3000K)</b>					
	Lumen Output		4609 lm	6881 lm	9218 lm	13828 lm
	LOR		0.68	0.68	0.68	0.68
	CRI		80	80	80	80
	Total Power		31.4W	45.9W	62.8W	91.8W
	Power Factor		0.95 /0.92	0.99 /0.92	0.95 /0.92	0.95 /0.92
	Running Current		0.11A	0.19A	0.22A	0.38A
	Inrush Current (Std)		44.0A (320us)	55.0A (320us)	65.0A (320us)	87.0A (320us)
	Inrush Current (Dim)		46.6A (320us)	63.0A (320us)	50.2A (320us)	103A (320us)
	Efficacy		99 lm/W	101 lm/W	99 lm/W	102 lm/W
	Emergency Output (BLF)		N/A	341 (5%)*	341 (3%)*	341 (2.5%)*
<b>4</b>	<b>Neutral White LED (4000K)</b>					
	Lumen Output		4863 lm	7260 lm	9726 lm	14587 lm
	LOR		0.68	0.68	0.68	0.68
	CRI		80	80	80	80
	Total Power		31.4W	45.9W	62.8W	91.8W
	Power Factor		0.95 /0.92	0.99 /0.92	0.95 /0.92	0.95 /0.92
	Running Current		0.11A	0.19A	0.22A	0.38A
	Inrush Current (Std)		44.0A (320us)	55.0A (320us)	65.0A (320us)	87.0A (320us)
	Inrush Current (Dim)		46.6A (320us)	63.0A (320us)	50.2A (320us)	103A (320us)
	Efficacy		105 lm/W	107 lm/W	105 lm/W	108 lm/W
	Emergency Output (BLF)		N/A	363 (5%)*	363 (3%)*	363 (2.5%)*

\* % of Direct illumination



## Infinitas® Nano Direct Indirect

High Output

	☀	☾	☐	K	+	▲	▲		
LED						Opal	Microprism		
28W LED	1120mm	1316	LED	28	+	683	698		
42W LED	1680mm	1319	LED	42	+	684	699		
56W LED	2240mm	1322	LED	56	+	685	700		
84W LED	3360mm	1325	LED	84	+	686	701		

1120mm Not available in Emergency Gear Type (E, K, T, C, & M)

To ensure illumination uniformity **High, Medium** or **Low** Output Modules should **Not** be mixed. Modules should **always** be matched within their output group.

### Options

- 303 2x 5m Suspensions (wires only) (1120mm/1680mm Modules)
- 344 3x 5m Suspensions (wires only) (2240mm/3360mm Modules)

### Opal Option

- 700 1120mm Opal Diffuser
- 701 1680mm Opal Diffuser
- 702 2240mm Opal Diffuser
- 703 3360mm Opal Diffuser

### Microprism Option

- 705 1120mm Microprism Refractor and Film
- 706 1680mm Microprism Refractor and Film
- 707 2240mm Microprism Refractor and Film
- 708 3360mm Microprism Refractor and Film

Only Low Output Modules with Microprism Refractor and Film achieve UGR<19.

**IV** Link Suspended (Direct/Indirect)

**IK** Solo Suspended (Direct/Indirect)

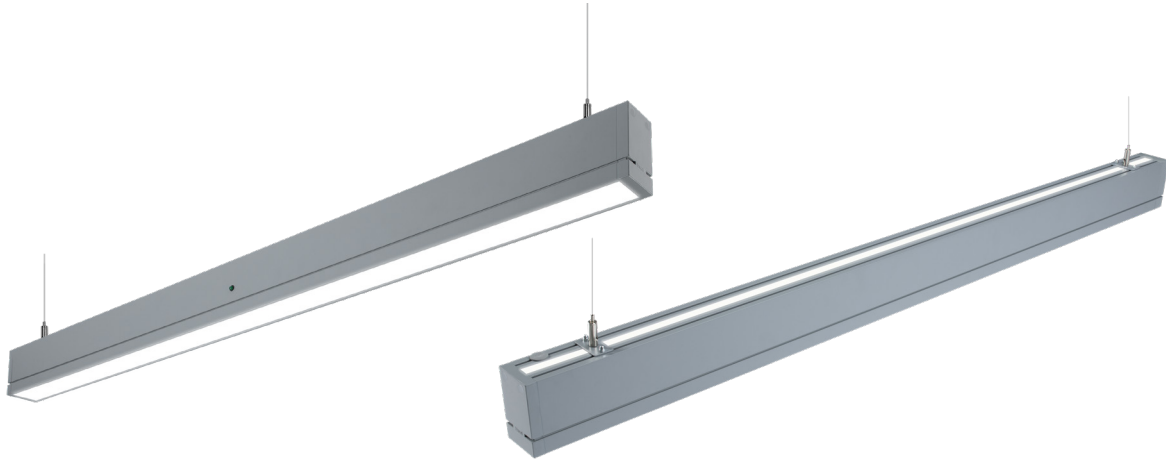
- A** Integral Driver/Remote
- E** Emergency
- J** Switch Dim
- K** Switch Dim + Emergency
- S** DALI Dim
- T** DALI Dim + Emergency
- C** DALI Dim + DALI Emergency
- L** DALI Bluetooth
- M** DALI Bluetooth + Emergency

**3** Warm (3000K) **4** Neutral (4000K)

**1** White (RAL 9010) **2** Urban Graphite (RAL 7046) **3** Black (RAL 9005)

Tel: (0191) 280 9911 Email: technical@hacel.co.uk Web: www.hacel.co.uk

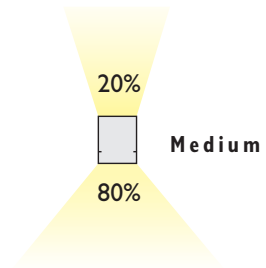
01/2024 - V5



	CRI 80	21W	32W	42W	64W
<b>3 Warm White LED (3000K)</b>					
Lumen Output		3503 lm	5222 lm	7006 lm	10510 lm
LOR		0.68	0.68	0.68	0.68
CRI		80	80	80	80
Total Power		24.0W	34.6W	48.0W	69.2W
Power Factor		0.95 /0.97	0.99 /0.97	0.95 /0.97	0.99 /0.97
Running Current		0.10A	0.15A	0.20A	0.30A
Inrush Current (Std)		44.0A (320us)	55.0A (320us)	65.0A (320us)	87.0A (320us)
Inrush Current (Dim)		36.6A (320us)	36.6A (320us)	50.2A (320us)	50.2A (320us)
Efficacy		99 lm/W	102 lm/W	99 lm/W	103 lm/W
Emergency Output (BLF)		N/A	324 (6%)*	324 (4%)*	324 (3%)*
<b>4 Neutral White LED (4000K)</b>					
Lumen Output		3688 lm	5498 lm	7376 lm	11063 lm
LOR		0.68	0.68	0.68	0.68
CRI		80	80	80	80
Total Power		24.0W	34.6W	48.0W	69.2W
Power Factor		0.95 /0.97	0.99 /0.97	0.95 /0.97	0.99 /0.97
Running Current		0.10A	0.15A	0.20A	0.30A
Inrush Current (Std)		44.0A (320us)	55.0A (320us)	65.0A (320us)	87.0A (320us)
Inrush Current (Dim)		36.6A (320us)	36.6A (320us)	50.2A (320us)	50.2A (320us)
Efficacy		104 lm/W	108 lm/W	104 lm/W	108 lm/W
Emergency Output (BLF)		N/A	344 (6%)*	344 (4%)*	344 (3%)*

\* % of Direct illumination

Medium Output



## Infinitas® Nano Direct Indirect

Medium Output

LED	1120mm	1316	LED	21	32	42	64	Opal	Microprism
21W LED	1120mm	1316	LED	21	32	42	64	678	693
32W LED	1680mm	1319	LED	32	42	64	679	694	694
42W LED	2240mm	1322	LED	42	64	678	695	680	695
64W LED	3360mm	1325	LED	64	678	695	696	681	696

1120mm Not available in Emergency Gear Type (E, K, T, C, & M)

To ensure illumination uniformity **High, Medium** or **Low** Output Modules should **Not** be mixed. Modules should **always** be matched within their output group.

### Options

- 303 2x 5m Suspensions (wires only) (1120mm/1680mm Modules)
- 344 3x 5m Suspensions (wires only) (2240mm/3360mm Modules)

### Opal Option

- 700 1120mm Opal Diffuser
- 701 1680mm Opal Diffuser
- 702 2240mm Opal Diffuser
- 703 3360mm Opal Diffuser

### Microprism Option

- 705 1120mm Microprism Refractor and Film
- 706 1680mm Microprism Refractor and Film
- 707 2240mm Microprism Refractor and Film
- 708 3360mm Microprism Refractor and Film

Only Low Output Modules with Microprism Refractor and Film achieve UGR<19.

- IV** Link Suspended (Direct/Indirect)
- IK** Solo Suspended (Direct/Indirect)

- A** Integral Driver/Remote
- E** Emergency
- J** Switch Dim
- K** Switch Dim + Emergency
- S** DALI Dim
- T** DALI Dim + Emergency
- C** DALI Dim + DALI Emergency
- L** DALI Bluetooth
- M** DALI Bluetooth + Emergency

- 3** Warm (3000K) **4** Neutral (4000K)

- I** White (RAL 9010) **2** Urban Graphite (RAL 7046) **3** Black (RAL 9005)



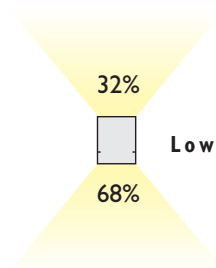
3	Warm White LED (3000K)	CRI 80	15W	22W	29W	44W
	Lumen Output		2355 lm	3500 lm	4710 lm	7066 lm
	LOR		0.68	0.68	0.68	0.68
	CRI		80	80	80	80
	Total Power		16.6W	24.7W	33.2W	49.4W
	Power Factor		0.95 /0.92	0.95 /0.92	0.95 /0.92	0.95 /0.92
	Running Current		0.07A	0.10A	0.14A	0.20A
	Inrush Current (Std)		44.0A (320us)	44.0A (320us)	65.0A (320us)	65.0A (320us)
	Inrush Current (Dim)		36.6A (320us)	36.6A (320us)	50.2A (320us)	50.2A (320us)
	Efficacy		96 lm/W	96 lm/W	96 lm/W	97 lm/W
	Emergency Output (BLF)		N/A	358 (10%)*	358 (7%)*	358 (5%)*

4	Neutral White LED (4000K)	CRI 80	15W	22W	29W	44W
	Lumen Output		2468 lm	3668 lm	4936 lm	7403 lm
	LOR		0.68	0.68	0.68	0.68
	CRI		80	80	80	80
	Total Power		16.6W	24.7W	33.2W	49.4W
	Power Factor		0.95 /0.92	0.95 /0.92	0.95 /0.92	0.95 /0.92
	Running Current		0.07A	0.10A	0.14A	0.20A
	Inrush Current (Std)		44.0A (320us)	44.0A (320us)	65.0A (320us)	65.0A (320us)
	Inrush Current (Dim)		36.6A (320us)	36.6A (320us)	50.2A (320us)	50.2A (320us)
	Efficacy		101 lm/W	100 lm/W	101 lm/W	101 lm/W
	Emergency Output (BLF)		N/A	381 (10%)*	381 (7%)*	381 (5%)*

\* % of Direct illumination

Low Output



## Infinitas® Nano Direct Indirect

Low Output

LED	15W	22W	29W	44W	Opal	Microprism
LED	1120mm	1680mm	2240mm	3360mm	673	688
	1316	1319	1322	1325	674	689
	15	22	29	44	675	690
					676	691

1120mm **Not available in Emergency Gear Type (E, K, T, C, & M)**

To ensure illumination uniformity **High, Medium** or **Low** Output Modules should **Not** be mixed. Modules should **always** be matched within their output group.

### Options

- 303 2x 5m Suspensions (wires only) (1120mm/1680mm Modules)
- 344 3x 5m Suspensions (wires only) (2240mm/3360mm Modules)

### Opal Option

- 700 1120mm Opal Diffuser
- 701 1680mm Opal Diffuser
- 702 2240mm Opal Diffuser
- 703 3360mm Opal Diffuser

### Microprism Option

- 705 1120mm Microprism Refractor and Film
- 706 1680mm Microprism Refractor and Film
- 707 2240mm Microprism Refractor and Film
- 708 3360mm Microprism Refractor and Film

Only Low Output Modules with Microprism Refractor and Film achieve UGR<19.

**W** Link Suspended (Direct/Indirect)

**IK** Solo Suspended (Direct/Indirect)

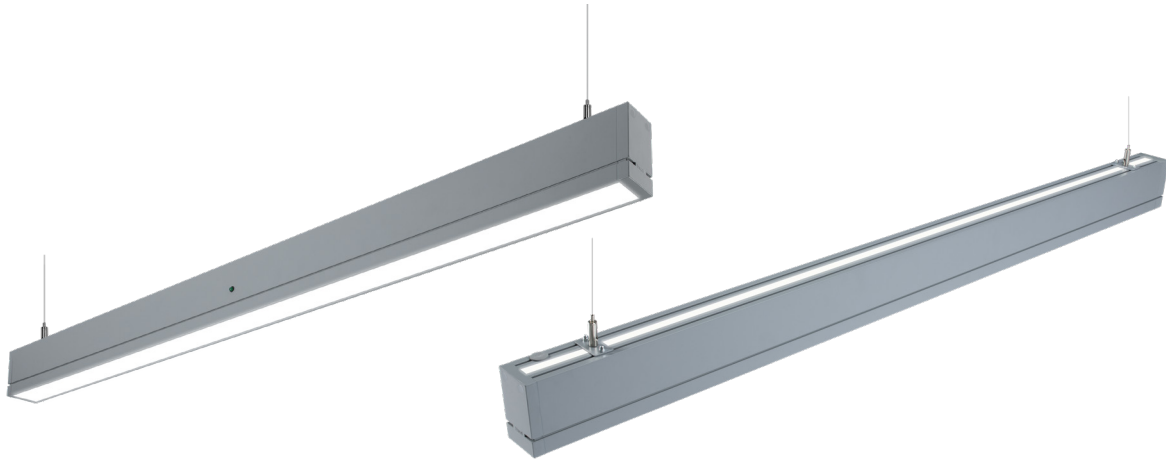
- A** Integral Driver/Remote
- E** Emergency
- J** Switch Dim
- K** Switch Dim + Emergency
- S** DALI Dim
- T** DALI Dim + Emergency
- C** DALI Dim + DALI Emergency
- L** DALI Bluetooth
- M** DALI Bluetooth + Emergency

**3** Warm (3000K) **4** Neutral (4000K)

**1** White (RAL 9010) **2** Urban Graphite (RAL 7046) **3** Black (RAL 9005)

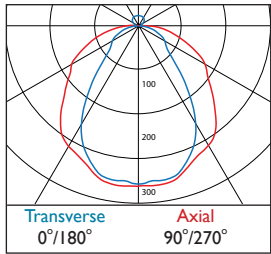
Tel: (0191) 280 9911 Email: [technical@hacel.co.uk](mailto:technical@hacel.co.uk) Web: [www.hacel.co.uk](http://www.hacel.co.uk)

01/2024 - V5

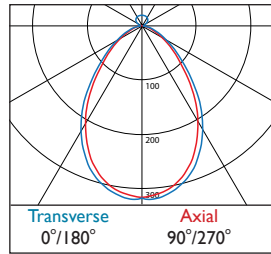


## Infinitas® Nano Direct Indirect

### Photometrics



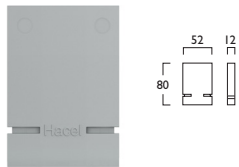
LOR: 0.68  
Opal



LOR: 0.60  
Microprism

## Infinitas® Nano End Caps Direct Indirect

2x End Caps **Suspended** IN1331 **X** CAP000



Suspended