



## Network<sup>®</sup> Structural System

A distinctive and versatile high quality suspended Structural System. Integrated luminaires create imaginative general, ambient and accent lighting applications, eminently suited to both large and small installations.

### Innovative

- Stylish, exciting Structural Lighting System
- Network creates geometric and abstract visual compositions
- Cleanly encompasses both ambient and accent lighting requirements

### Installation

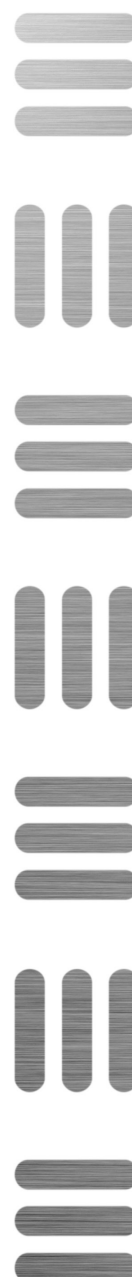
- High quality construction designed for ease of installation
- Network structure features returned edge profile for rigidity and cable concealment
- Each luminaire is pre-wired to its own terminal point
- Twin, single point fixing suspension wires enable adjustable mounting at various points on the system

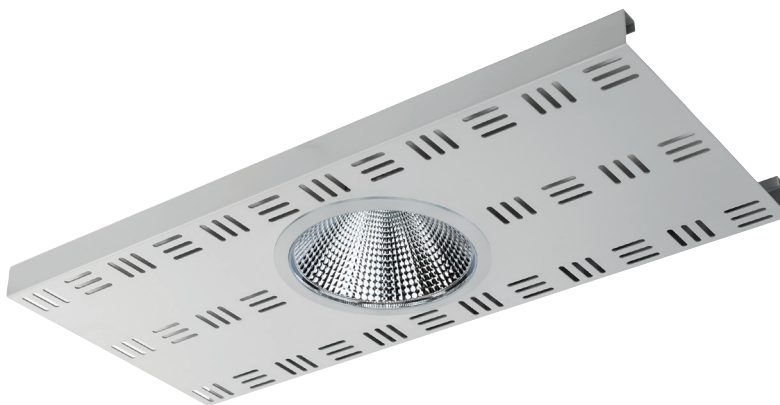
### Interconnection Wiring System

- Luminaires can be specified with Interconnecting Wiring System
- Offers quick and efficient installation
- Reduces cost and offers compliance, electrical safety and simplified maintenance

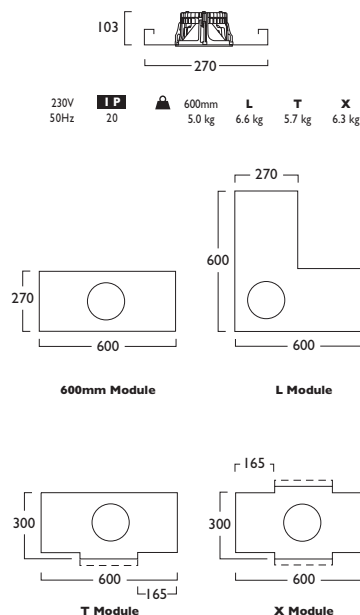
### Image

- Luminaires and accessories are co-ordinated to create a total image
- To create individuality, corporate colours are available to special order to further enhance brand appeal





3	Warm White LED (3000K)	CRI 80			
		8W	11W	16W	30W
	Lumen Output	1488 lm	2071 lm	2929 lm	5123 lm
	LOR	0.90	0.90	0.90	0.90
	CRI	80	80	80	80
	Total Power	9.1W	12.8W	18W	33.4W
	Power Factor	0.95	0.95	0.95	0.95
	Running Current	0.04A	0.05A	0.07A	0.12A
	Inrush Current (Std)	15.0A (204us)	15.0A (204us)	24.7A (268us)	24.7A (268us)
	Inrush Current (Dim)	18.0A (140us)	18.0A (140us)	28.0A (195us)	28.0A (195us)
	Efficacy	147 lm/W	145 lm/W	146 lm/W	138 lm/W
	Emergency Output (BLF)	386 lm (26%)	393 lm (19%)	380 lm (13%)	358 lm (7%)
4	Neutral White LED (4000K)	CRI 80			
		8W	11W	16W	30W
	Lumen Output	1551 lm	2159 lm	3054 lm	5342 lm
	LOR	0.90	0.90	0.90	0.90
	CRI	80	80	80	80
	Total Power	9.1W	12.8W	18W	33.4W
	Power Factor	0.95	0.95	0.95	0.95
	Running Current	0.04A	0.05A	0.07A	0.12A
	Inrush Current (Std)	15.0A (204us)	15.0A (204us)	24.7A (268us)	24.7A (268us)
	Inrush Current (Dim)	18.0A (140us)	18.0A (140us)	28.0A (195us)	28.0A (195us)
	Efficacy	153 lm/W	151 lm/W	152 lm/W	143 lm/W
	Emergency Output (BLF)	403 lm (26%)	410 lm (19%)	397 lm (13%)	373 lm (7%)



## Network<sup>®</sup> Solex<sup>®</sup>

600mm, L, T & X Modules



### LED

Power	LED	NW	LED	08	+	642
8W	LED	NW	LED	08	+	642
11W	LED	NW	LED	11	+	642
16W	LED	NW	LED	16	+	642
30W	LED	NW	LED	30	+	642

Modules	Modules			
	600mm	L	T	X
NW (CRI 80)	1557	1558	1559	1560

Gear types F & G must be operated through a DSI

- A Integral Driver/Remote
- E Emergency
- F Digital Dim
- G Digital Dim + Emergency
- J Switch Dim
- K Switch Dim + Emergency
- S DALI Dim
- T DALI Dim + Emergency
- C DALI Dim + DALI Emergency
- L DALI Bluetooth
- M DALI Bluetooth + Emergency

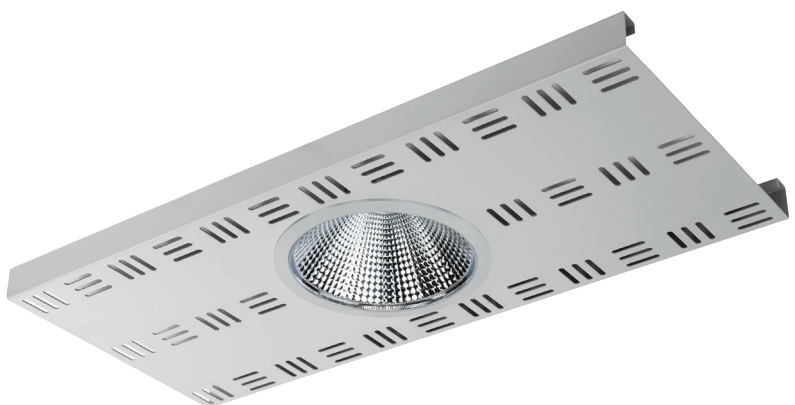
- 3 Warm (3000K)    4 Neutral (4000K)
- 1 White (RAL 9010)    2 Urban Graphite (RAL 7046)    3 Black (RAL 9005)

### Reflector

- 641 Narrow Beam

Polycarbonate Options Shown Over

- Efficacies up to 153 lm/W
- Available in a choice of lumen outputs, delivering up to 5342 lumens
- Life expectancy in excess of 50,000 hours (L90 B10)
- Colour stability within 3 MacAdams
- UGR<19 on 8W & 11W with wide 60° reflector
- UGR<19 on 8W, 11W & 16W with narrow 25° reflector
- Range of options for customisation available
- Complementary Solex<sup>®</sup> Downlighter, Surface and Pendant versions available
- Wireless Lighting Control available, see Connected video for full overview



## Solex<sup>®</sup> Options

### ■ Polycarbonate Options



**581** Flush Clear (IP44)  
**583** Flush Clear + Gasket (IP65)

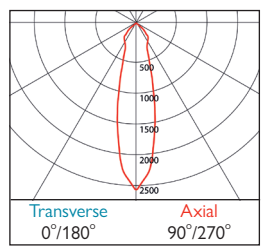


**582** Flush Etched (IP44)  
**584** Flush Etched + Gasket (IP65)

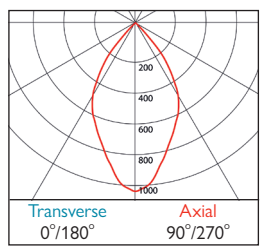


**585** Gylo Etched Ice

### Photometrics



**641** DLOR: 0.90



**642** DLOR: 0.90