

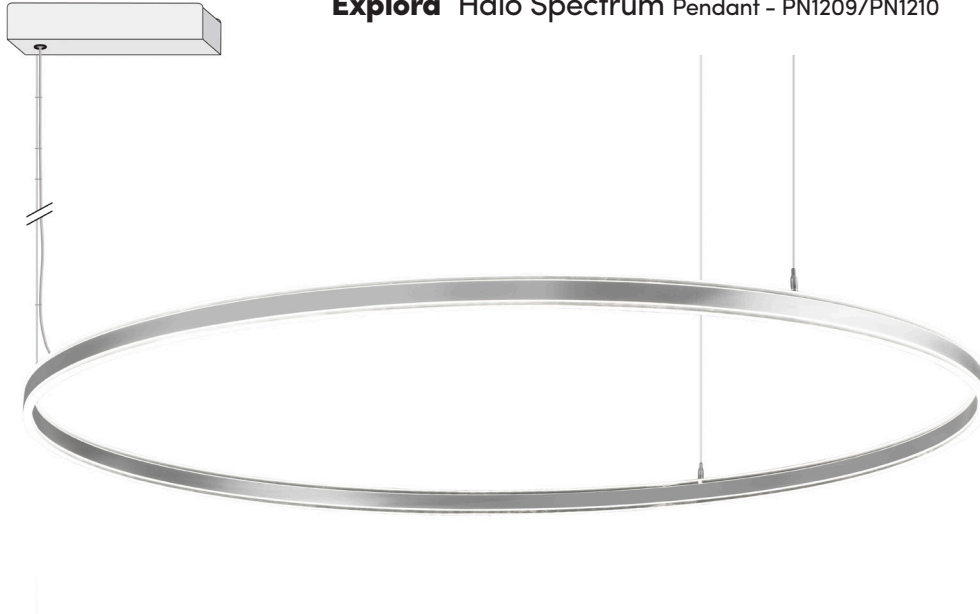
IMPORTANT INFORMATION

DO NOT REMOVE BRACE UNTIL INSTALLATION IS COMPLETE

Explora® Halo Pendant - PN1103/PN1104/PN1105

Explora® Halo Downlight Pendant - PN1645/PN1646/PN1647

Explora® Halo Spectrum Pendant - PN1209/PN1210



1. **Ensure electrical supply is isolated before fitting and/or making any electrical connections. Luminaires should be disconnected from the mains supply before any High Voltage Insulation tests are carried out. The total length of cabling between all DALI Drivers and all Push to Make Switches must not exceed 25m. For greater cable lengths a DALI Repeater must be used (contact Technical for advice).**
2. **The Marking Templates supplied are for fixing luminaires to horizontal surfaces, they are not suitable for fixing luminaires to pitched surfaces.**
3. The Explora Halo Pendant is dispatched with a Wooden Support Brace, leave the Brace in place until installation is complete.
4. Mark the centre position of the luminaire on the mounting surface.
5. Temporarily fix the Marking Template to the mounting surface at the centre position, as shown in Illustration 1.
6. Make a pencil mark on the mounting surface through Hole A.
7. At the opposite end of the Template use the furthest hole for the Maxi, the middle hole for the Midi and the nearest hole for the Micro, to mark the first Wire Suspension position.
8. Rotate the Template 120° until Hole C is over the pencil mark made earlier and mark the second Wire Suspension position.
9. Rotate the Template a further 120° until Hole B is over the pencil mark and mark the third Wire Suspension position.
10. Remove the Gear Housing Lid and retain the Screws.
11. Using one of the Wire Suspension positions as the first fixing for the Gear Housing, use the Gear Housing Base as a template and mark the second fixing and cable hole.
12. Make an access hole for the mains/dimming cabling using the Gear Housing Base as a template.
13. Bring the mains/dimming cabling (from the void) through the access hole.
14. Make provision for fixing the luminaire to the mounting surface.
Due to the weight of these luminaires, ensure suitable fixings are used when installing!
15. Separate the two parts of the Ceiling Bosses.
16. Position the Gear Housing Base on the initial fixing position and align with cable access hole and the second fixing.

Continued Over

IMPORTANT INFORMATION

17. Fix the upper part of the Ceiling Boss through the Gear Housing Base into the mounting surface and fix the other end of the Gear Housing.
18. Fit the other two upper parts of the Ceiling Bosses to their respective fixing positions.
19. With assistance if necessary, offer the luminaire up to the Suspension Wires.
20. Push down on the necks of the Suspension Clutches and feed the Suspension Wires in, the Clutches will re-engage when the neck is released which will support the luminaire temporarily.
21. Set the luminaire to the required height and check using a spirit level between adjacent Suspension Clutches.
22. Measure and cut the Secondary Cable from the luminaire, ensuring that there is sufficient excess to allow the cable to be cable tied to the Suspension Wire (if desired) and to reach the 2 Pole Connector Block in the Gear Housing.
23. Pass the Secondary cable through the Grommet in the Gear Housing Lid and make the connections to the 2 Pole Connector Block according to the information on the label adjacent to the Connector Block. Use the Cable Grip to secure.
24. Make the mains/dimming connections to the other Connector Block according to the information on the label adjacent to the Connector Block. Use the Cable Grip to secure.
25. Slide the Gear Housing Lid up the Secondary cable and allow the Suspension Wire to pass through the slot and fix to the Base using the two Screws previously removed.
26. Re-check that the luminaire is level and cut away any excess Suspension Wire. The Wooden Support Brace can now be removed by carefully cutting the cable ties.
27. If necessary, fill the hole where the template was temporarily fixed.
28. Reconnect the electrical supply and test the installation.

Ceiling Plate Installation (Gear Housing in ceiling void)

1. The 215 x 90mm Recessing Plate can be used to recess the Gear Housing into the ceiling void if required. The recessing position will be adjacent to one of the Suspension Wires.
2. Follow **steps 1-9** from **Page 1**.
3. Align the 4.5mm hole in the Recessing Plate with the Wire Suspension position which will be adjacent to the Secondary Cable, this will be where the Gear Housing will be recessed into the ceiling.
4. Mark the two countersunk holes accordingly and make provision for fitting the Recessing Plate.
5. Make a 160 x 76mm cutout centrally between the countersunk holes.
6. Separate the two parts of the Ceiling Bosses.
7. Fit the upper part of one of the Ceiling Bosses to the 4.5mm hole in the Recessing Plate (fixings not supplied).
8. Fit the other upper parts of the Ceiling Bosses to their respective fixing positions.
9. Feed the Secondary Cable through the 10.5mm hole in the Recessing Plate.
10. Make the electrical connections to the Connector Blocks in the Gear Housing and re-fit the lid.
11. Feed the Gear Housing into the ceiling void.
12. Fix the Recessing Plate to the ceiling through the countersunk holes (fixings not supplied).
13. To complete the installation, carry on from **step 19** above.

IMPORTANT INFORMATION

DO NOT REMOVE BRACE UNTIL INSTALLATION IS COMPLETE

Explora® Halo Pendant PN1103 / PN1104 / PN1105
Explora® Halo Spectrum Pendant PN1209 / PN1210

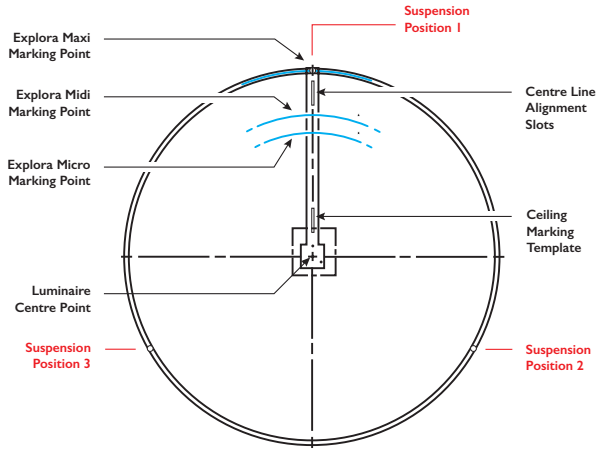


Illustration 1

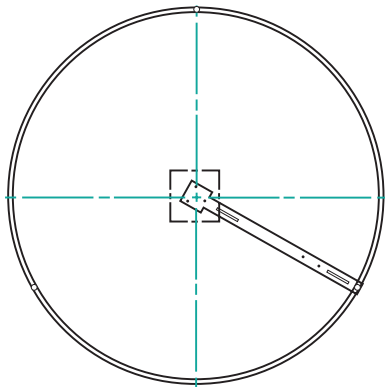
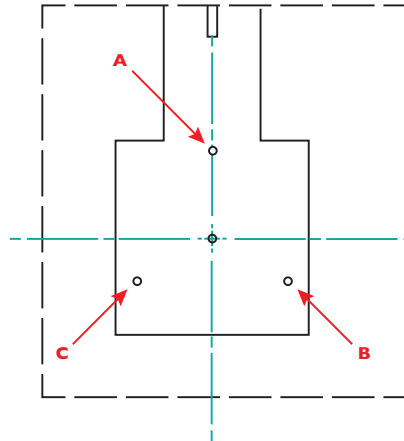


Illustration 2

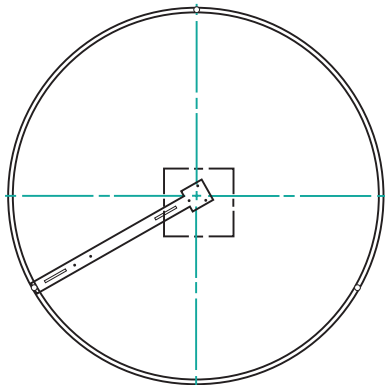
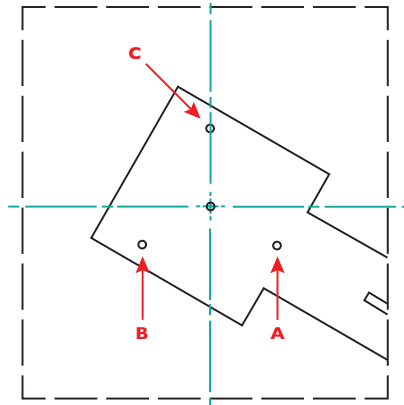


Illustration 3

