



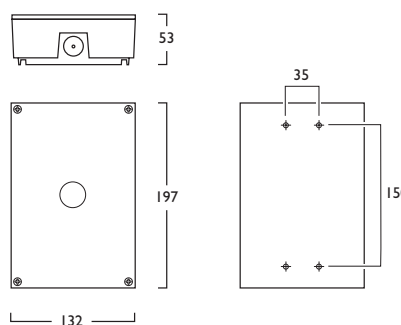
## Emerge Extreme IP65

Power	LED	Application	Model	LED	LED 002	LED 001	LED 002
2W	LED	Surface (Ceiling): General	SD1532	—	—	1	599
2W	LED	Surface (Ceiling): Open Area	SD1533	—	—	1	600
2W	LED	Surface (Ceiling): Escape Route	SD1534	—	—	1	601
2W	LED	Surface (Ceiling): Mid Bay	SD1535	—	—	1	602
2W	LED	Surface (Ceiling): High Bay	SD1536	—	—	1	602

Colour Temp (5700K)	2W
Lumen Output	200
LOR	1.00
CRI/Ra Index	70
Total Power	2.2W
Power Factor	0.44
Running Current	0.02A
Inrush Current	18.7A (3us)
Emergency Output (BFL)	200 (100%)

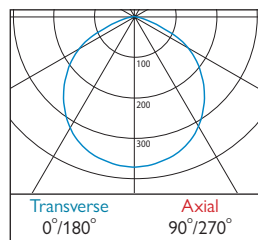
### Suitable for High-Bay, Mid-Bay Open-Area and Escape route applications

- Stand alone, three hour Non Maintained Emergency luminaires
- A choice of versions with various lenses including General, Open Area, Escape Route, Mid Bay and High Bay
- Suitable for side and rear cable entry
- IP65 rating provides a robust design for challenging environments
- Daylight colour temperature (5700K)
- Life expectancy 100,000 hours (L70 B10)
- Recharge period 24 hours

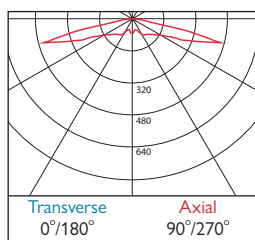


230V 50Hz IP65 51mm 0.5 kg

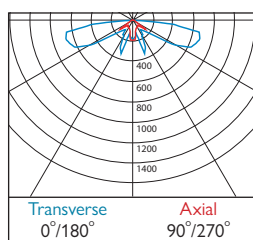
### Photometrics



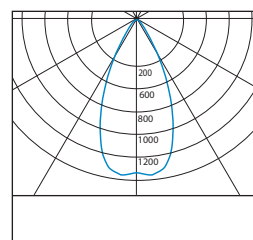
599 DLOR: 1.00



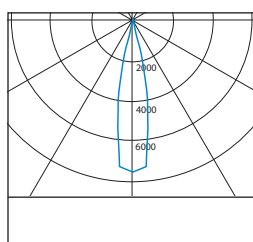
600 DLOR: 1.00



601 DLOR: 1.00



602 DLOR: 1.00



603 DLOR: 1.00

- E Emergency
- C DALI Emergency
- I White