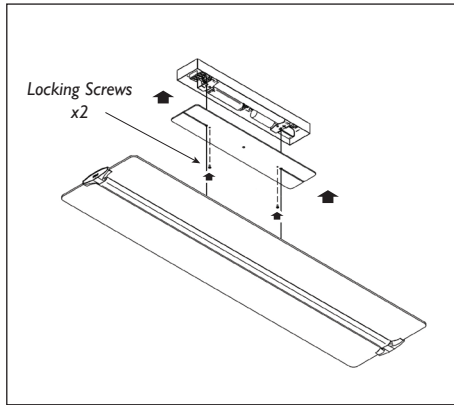
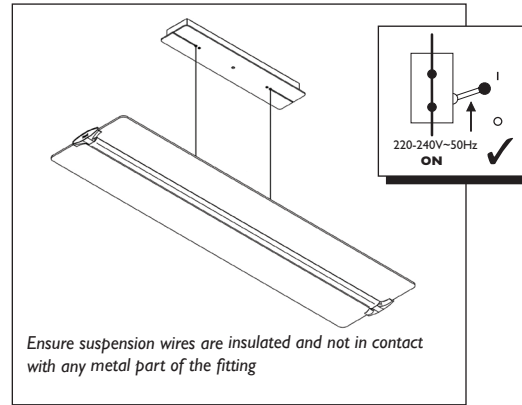


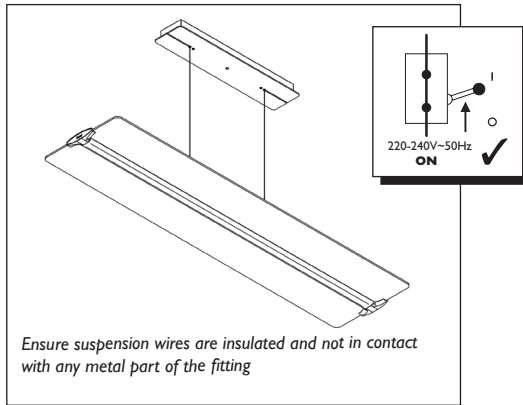
6



2

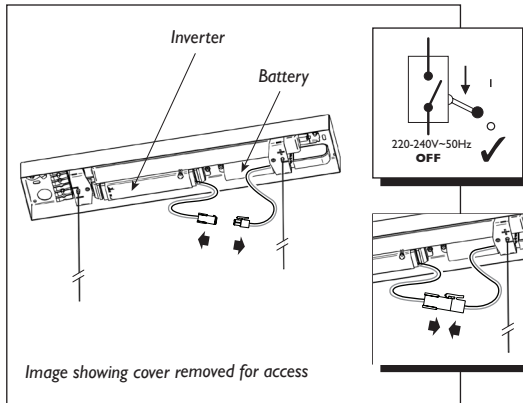


7



Emergency Battery Replacement

1



Cleaning Instructions

Cleaning is recommended whenever dirt is plainly visible on the luminaire.

1. Always wear clean Cotton Gloves (included) when handling/cleaning luminaire.
2. For normal cleaning of loose dirt and dust, use an anti-static wipe cloth.
3. Use a clean, lint free cloth and a mild soap solution. Rinse with warm water and let air dry or blow dry with a clean (destaticized) air supply. This will work to remove fingerprints.
4. To clean excessive dirt, please use ultrasonic cleaning. This requires specialized equipment and is most useful when cleaning a large quantity of components.
5. You can use most products that are designed to be used for cleaning glass windows or acrylic.

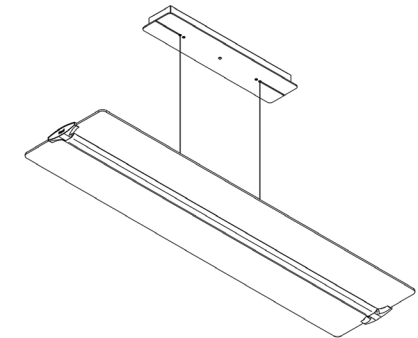
DO NOT USE THE FOLLOWING PRODUCTS:

1. Acrylic polishes
2. Any products which contain the chemicals **Methanol, Isopropyl, Acetone** or **MEK**

IMPORTANT INFORMATION

Edj 1200/600 Pendant

PN1212/PN1359



Disconnect electricity supply before installation

To be installed by qualified personnel only, in accordance with current building and wiring regulations.

When installing, we recommend wearing disposable gloves to avoid fingerprinting to the paintwork of the luminaire.

**DO NOT lift and position luminaire using the panel.
Only handle by holding the endcaps.**

Read leaflet fully before installation.

Due to the weight of luminaires, ensure suitable fixings are used when installing.

Hacel®

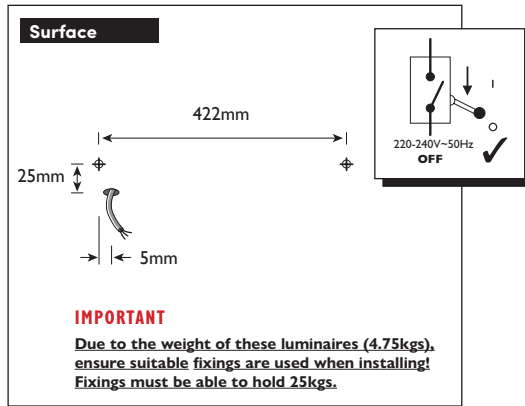
Fluent in Lighting

THE SILVERLINK, WALLSEND, NEWCASTLE UPON TYNE,
TYNE & WEAR, NE28 9ND

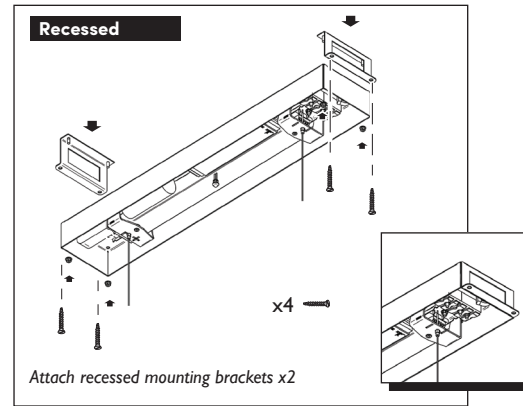
Technical: **(0191) 280 9914**
Email: technical@hacel.co.uk
Web: www.hacel.co.uk

Preparation

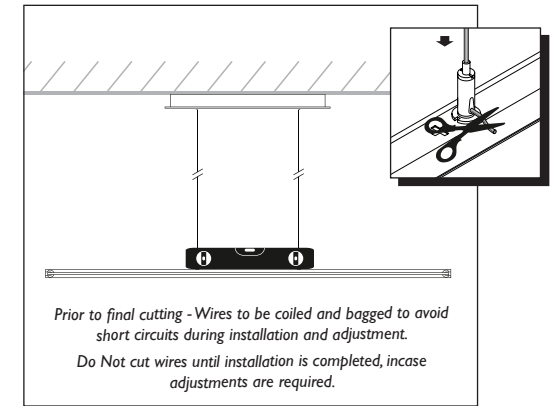
1



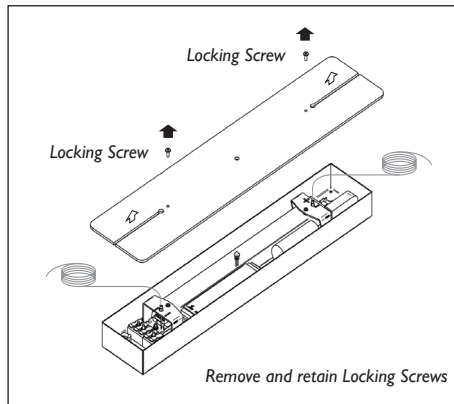
4



3



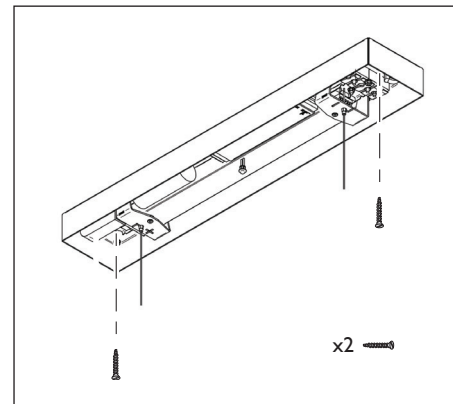
2



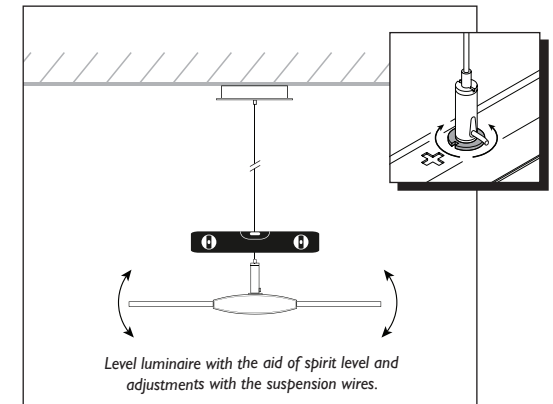
Installation

Surface installation shown as example

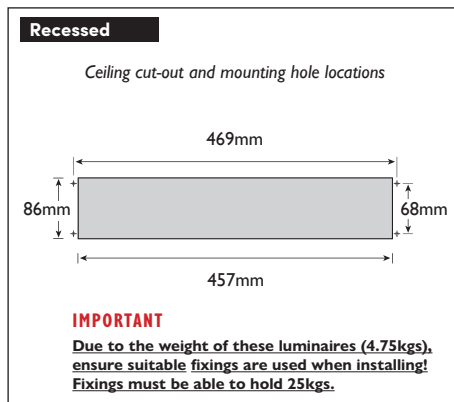
1



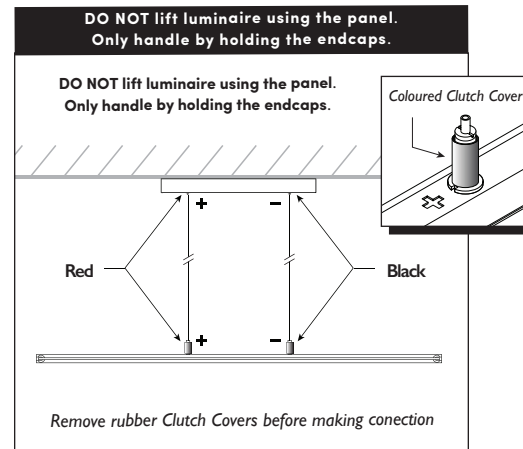
4



3



2



5

