

IMPORTANT INFORMATION

iMod Evolva Grid

IMI 188



Disconnect electricity supply before installation

To be installed by qualified personnel only.

When installing, we recommend wearing disposable gloves to avoid fingerprinting to the paint work of the luminaire.

Read leaflet fully before installation.

Lamps should be installed and used within the lamp manufacturers guidelines.

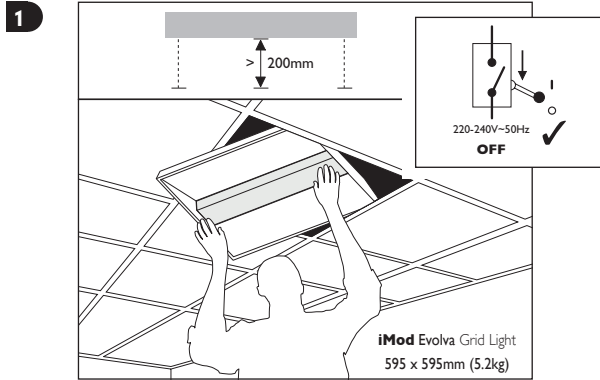
Hacel[®]
Fluent in Lighting

THE SILVERLINK, WALLSEND, NEWCASTLE UPON TYNE,
TYNE & WEAR, NE28 9ND

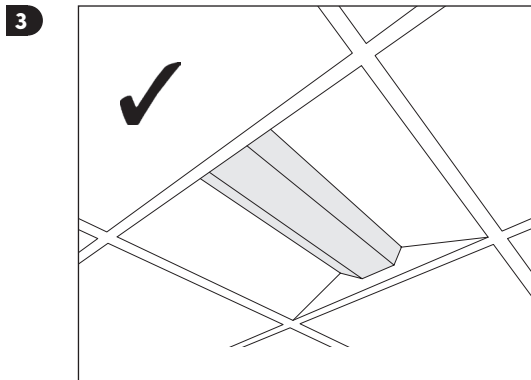
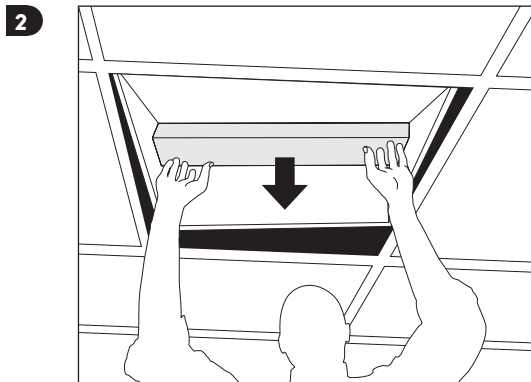
Technical: (0191) 280 9914
Email: technical@hacel.co.uk
Web: www.hacel.co.uk

03/2019

Installation

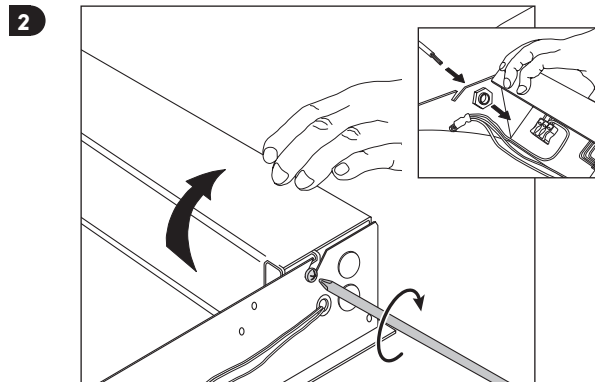
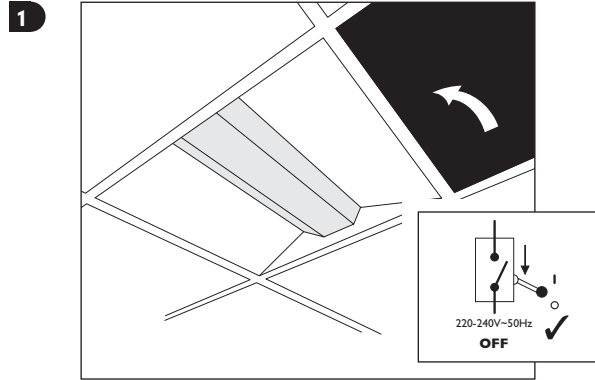


Wearing latex gloves will prevent marking

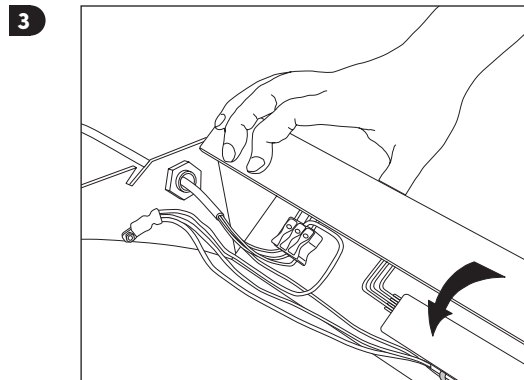


Insulation etc. should not cover body or remote gear

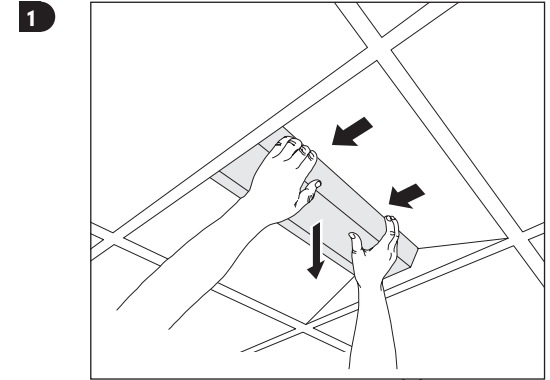
Wiring preparation



For Emergency versions ensure battery bullet connection is made only when a permanent mains supply is present



Cleaning refractor



Clean refractor with damp lint free cloth

