



	CRI 80			CRI 90		
	20W	38W	62W	20W	38W	62W
<b>3 Warm White LED (3000K)</b>						
Lumen Output	3490 lm	6177 lm	9191 lm	2956 lm	5232 lm	7785 lm
LOR	0.73	0.73	0.73	0.73	0.73	0.73
CRI	80	80	80	90	90	90
Total Power	21.7W	41.3W	63.9W	21.7W	41.3W	63.9W
Power Factor	0.95	0.95	0.95	0.95	0.95	0.95
Running Current	0.10A	0.19A	0.29A	0.10A	0.19A	0.29A
Inrush Current (Std)	20.0A (200us)	24.7A (268us)	50.6A (210us)	20.0A (200us)	24.7A (268us)	50.6A (210us)
Inrush Current (Dim)	25.0A (140us)	28.0A (165us)	50.0A (209us)	25.0A (140us)	28.0A (165us)	50.0A (209us)
Efficacy	117 lm/W	109 lm/W	104 lm/W	99 lm/W	92 lm/W	88 lm/W
Emergency Output (BLF)	453 (13%)	432 (7%)	367 (4%)	384 (13%)	366 (7%)	311 (4%)
<b>4 Neutral White LED (4000K)</b>						
Lumen Output	3639 lm	6441 lm	9583 lm	3105 lm	5497 lm	8178 lm
LOR	0.73	0.73	0.73	0.73	0.73	0.73
CRI	80	80	80	90	90	90
Total Power	21.7W	41.3W	63.9W	21.7W	41.3W	63.9W
Power Factor	0.95	0.95	0.95	0.95	0.95	0.95
Running Current	0.10A	0.19A	0.29A	0.10A	0.19A	0.29A
Inrush Current (Std)	20.0A (200us)	24.7A (268us)	50.6A (210us)	20.0A (200us)	24.7A (268us)	50.6A (210us)
Inrush Current (Dim)	25.0A (140us)	28.0A (165us)	50.0A (209us)	25.0A (140us)	28.0A (165us)	50.0A (209us)
Efficacy	122 lm/W	113 lm/W	109 lm/W	104 lm/W	97 lm/W	93 lm/W
Emergency Output (BLF)	473 (13%)	450 (7%)	383 (4%)	403 (13%)	384 (7%)	327 (4%)

## Aspen®



### LED CRI 80

Power	LED	PN	LED	20	38	62	+	471
20W	LED	PN1093	LED	20	38	62	+	471
38W	LED	PN1093	LED	20	38	62	+	471
62W	LED	PN1093	LED	20	38	62	+	471

### LED CRI 90

Power	LED	PN	LED	20	38	62	+	472
20W	LED	PN1094	LED	20	38	62	+	472
38W	LED	PN1094	LED	20	38	62	+	472
62W	LED	PN1094	LED	20	38	62	+	472

- Available in a choice of lumen outputs, delivering up to 9583 lumens
- Efficacies of up to 122 lm/W
- Single Point Zhaga Book 3 LED
- Colour stability within 3 MacAdams
- Life expectancy in excess of 55,000 hours (L90 B10)
- Wireless Lighting Control available, see Connected video for full overview

Gear types F & G must be operated through a DSI

- A** Integral Driver
- E** Emergency
- F** Digital Dim
- G** Digital Dim + Emergency
- J** Switch Dim
- K** Switch Dim + Emergency
- S** DALI Dim
- T** DALI Dim + Emergency
- C** DALI Dim + DALI Emergency
- L** DALI Bluetooth
- M** DALI Bluetooth + Emergency

3 Warm (3000K) 4 Neutral (4000K)

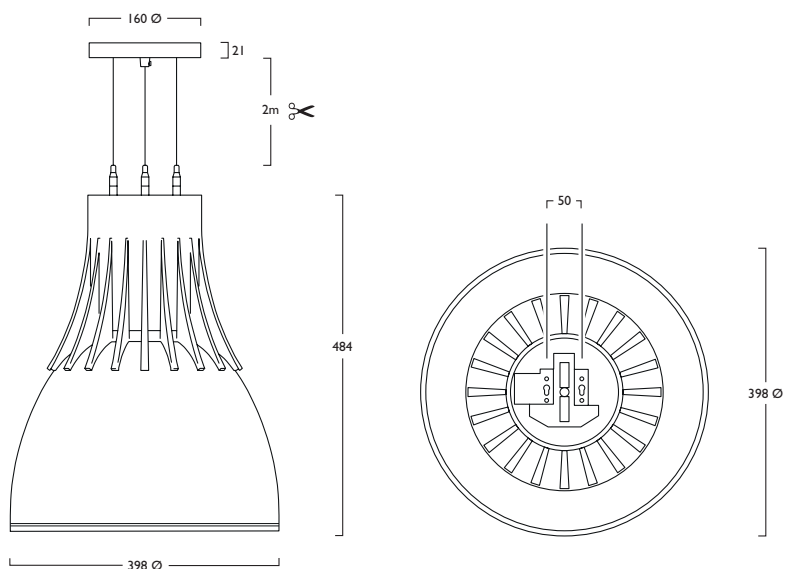
1 White (RAL 9010) 2 Urban Graphite (RAL 7046) 3 Black (RAL 9005)

340 3x 5m Suspensions (wires only)

Tel: (0191) 280 9911 Email: technical@hacel.co.uk Web: www.hacel.co.uk



## Aspen®



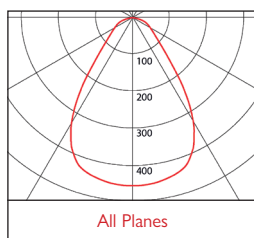
230V  
50Hz

**IP**  
20

⌀  
50mm

⚠  
7.7 kg

### Photometrics



471-472 DLOR: 0.73