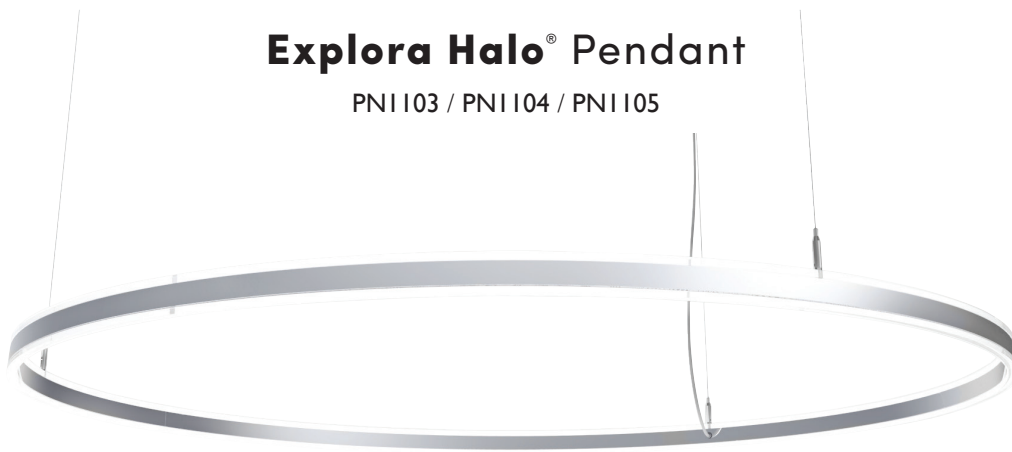


IMPORTANT INFORMATION

DO NOT REMOVE BRACE UNTIL INSTALLATION IS COMPLETE



Explora Halo® Pendant

PNI103 / PNI104 / PNI105

INSTALLATION INFORMATION

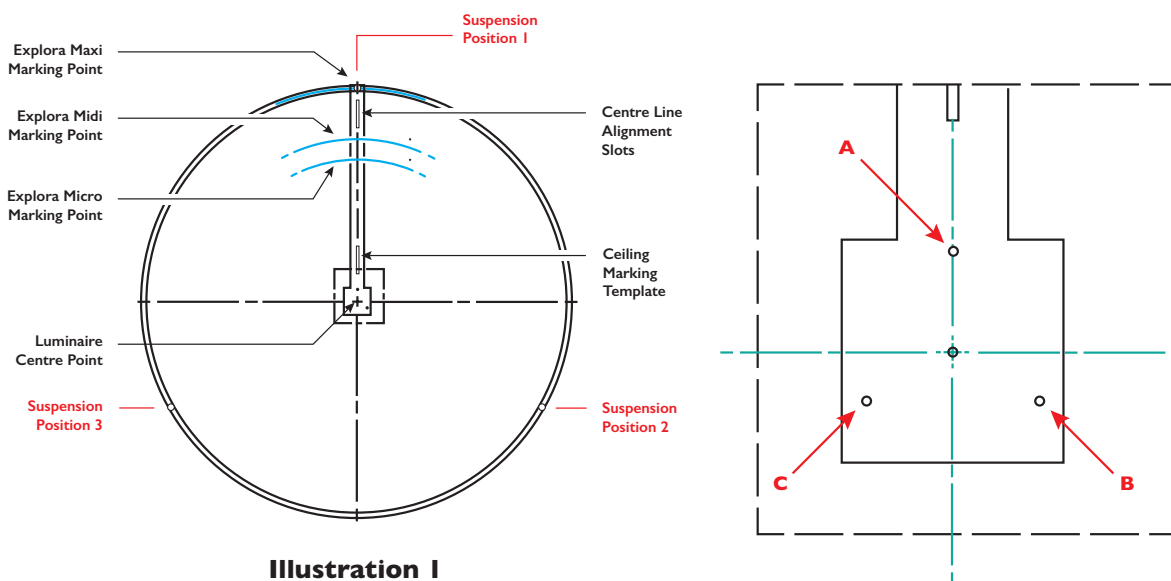
1. Ensure electrical supply is isolated before fitting and/or making any electrical connections. Luminaires should be disconnected from the mains supply before any High Voltage Insulation tests are carried out.
2. The Explora Halo Pendant is dispatched with a Wooden Support Brace, leave the Brace in place until installation is complete.
3. Mark the centre position of the luminaire on the mounting surface.
4. Temporarily fix the Marking Template to the mounting surface at the centre position, as shown in Illustration 1.
5. Make a pencil mark on the mounting surface through Hole A.
6. At the opposite end of the Template use the furthest hole for the Maxi, the middle hole for the Midi and the nearest hole for the Micro, to mark the first Wire Suspension position.
7. Rotate the Template 120° until Hole C is over the pencil mark made earlier and mark the second Wire Suspension position.
8. Rotate the Template a further 120° until Hole B is over the pencil mark and mark the third Wire Suspension position.
9. Remove the Gear Housing Lid and retain the Screws.
10. Using one of the Wire Suspension positions as the first fixing for the Gear Housing, use the Gear Housing Base as a template and mark the second fixing and cable hole.
11. Make an access hole for the mains/dimming cabling using the Gear Housing Base as a template.
12. Bring the mains/dimming cabling (from the void) through the access hole.
13. Make provision for fixing the luminaire to the mounting surface. Ensure the correct fixing method is used for both the mounting surface type and the weight of the luminaire.
14. Separate the two parts of the Ceiling Bosses.
15. Position the Gear Housing Base on the initial fixing position and align with cable access hole and the second fixing.
16. Fix the upper part of the Ceiling Boss through the Gear Housing Base into the mounting surface and fix the other end of the Gear Housing.
17. Fit the other two upper parts of the Ceiling Bosses to their respective fixing positions.
18. Loosen the knurled head of the Suspension Clutches (on the top of the luminaire) slightly, but do not completely remove.
19. With assistance if necessary, offer the luminaire up to the Suspension Wires.
20. Pass the Suspension Wires through the Suspension Clutches by pushing down on the knurled head. The Clutch will re-engage when the knurled head is released which will support the luminaire temporarily.

IMPORTANT INFORMATION

Explora Halo® Pendant

PN1103 / PN1104 / PN1105

21. Set the luminaire to the required height and check using a spirit level between adjacent Suspension Clutches.
22. Finger tighten the knurled head of the Suspension Clutch.
23. Measure and cut the Secondary Cable from the luminaire, ensuring that there is sufficient excess to allow the cable to be cable tied to the Suspension Wire (if desired) and to reach the 2 Pole Connector Block in the Gear Housing.
24. Pass the Secondary cable through the Grommet in the Gear Housing Lid and make the connections to the 2 Pole Connector Block according to the information on the label adjacent to the Connector Block. Use the Cable Grip to secure.
25. Make the mains/dimming connections to the other Connector Block according to the information on the label adjacent to the Connector Block. Use the Cable Grip to secure.
26. Slide the Gear Housing Lid up the Secondary cable and allow the Suspension Wire to pass through the slot and fix to the Base using the two Screws previously removed.
27. Re-check that the luminaire is level and cut away any excess Suspension Wire. The Wooden Support Brace can now be removed by carefully cutting the cable ties.
28. If necessary, fill the hole where the template was temporarily fixed.
29. Reconnect the electrical supply and test the installation.



IMPORTANT INFORMATION

Explora Halo® Pendant

PN1103 / PN1104 / PN1105

INSTALLATION INFORMATION

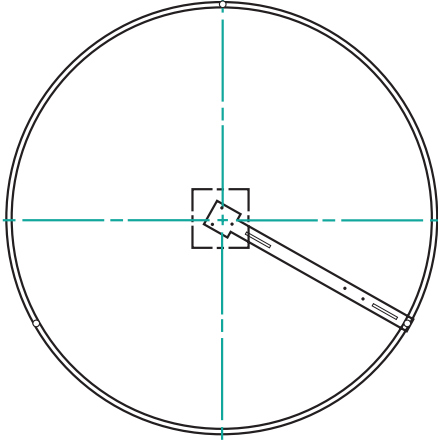


Illustration 2

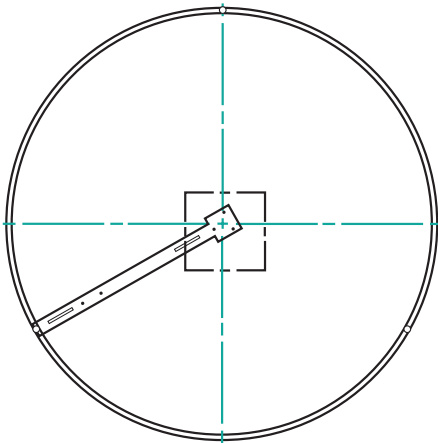
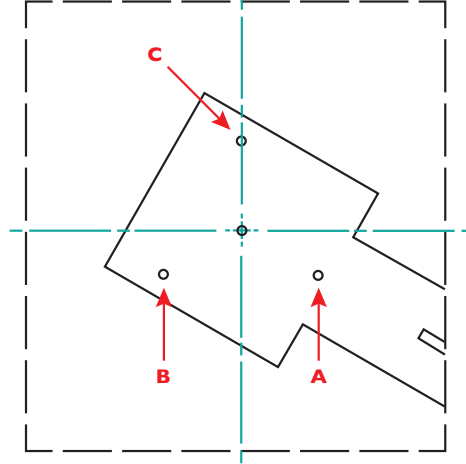


Illustration 3

