



	CRI 80			CRI 90		
	20W	38W	62W	20W	38W	62W
3 Warm White LED (3000K)						
Lumen Output	3332 lm	5769 lm	8043 lm	2822 lm	4886 lm	6812 lm
LOR	0.87	0.87	0.87	0.87	0.87	0.87
CRI	80	80	80	90	90	90
Total Power	22.3W	42.8W	67.1W	22.3W	42.8W	67.1W
Power Factor	0.95	0.95	0.95	0.95	0.95	0.95
Running Current	0.10A	0.20A	0.31A	0.10A	0.20A	0.31A
Inrush Current	20.0A (200us)	24.7A (268us)	50.6A (210us)	20.0A (200us)	24.7A (268us)	50.6A (210us)
Efficacy	129 lm/W	117 lm/W	104 lm/W	110 lm/W	99 lm/W	88 lm/W
Emergency Output (BLF)	433 (13%)	403 (7%)	321 (4%)	366 (13%)	342 (7%)	272 (4%)
4 Neutral White LED (4000K)						
Lumen Output	3474 lm	6015 lm	8386 lm	3026 lm	5240 lm	7305 lm
LOR	0.87	0.87	0.87	0.87	0.87	0.87
CRI	80	80	80	90	90	90
Total Power	22.3W	42.8W	67.1W	22.3W	42.8W	67.1W
Power Factor	0.95	0.95	0.95	0.95	0.95	0.95
Running Current	0.10A	0.20A	0.31A	0.10A	0.20A	0.31A
Inrush Current	20.0A (200us)	24.7A (268us)	50.6A (210us)	20.0A (200us)	24.7A (268us)	50.6A (210us)
Efficacy	135 lm/W	122 lm/W	108 lm/W	118 lm/W	106 lm/W	94 lm/W
Emergency Output (BLF)	451 (13%)	421 (7%)	335 (4%)	393 (13%)	366 (7%)	292 (4%)

Aspen® Opal Pendant



LED CRI 80

20W	LED	PN1095	LED	20	+	473
38W	LED	PN1095	LED	38	+	473
62W	LED	PN1095	LED	62	+	473

LED CRI 90

20W	LED	PN1096	LED	20	+	474
38W	LED	PN1096	LED	38	+	474
62W	LED	PN1096	LED	62	+	474

- Available in a choice of lumen outputs, delivering up to 8386 lumens
- Efficacies of up to 135 lm/W
- Single Point Zhaga Book 3 LED
- Colour stability within 3 MacAdams
- Life expectancy in excess of 53,000 hours (L70 B10)

Gear types F & G must be operated through a DSI

- A** Integral Driver
- E** Emergency
- F** Digital Dim
- G** Digital Dim + Emergency
- J** Switch Dim
- K** Switch Dim + Emergency
- S** DALI Dim
- T** DALI Dim + Emergency
- C** DALI Dim + DALI Emergency

3 Warm (3000K) 4 Neutral (4000K)

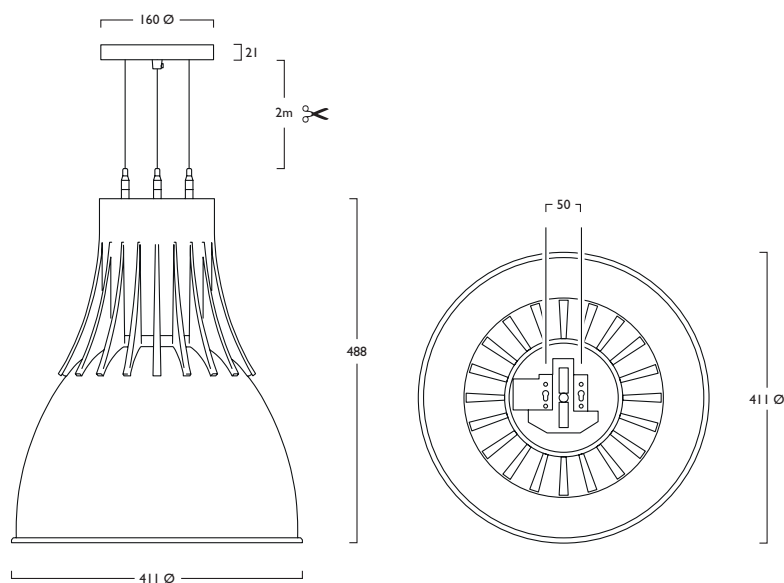
1 White (RAL 9010) 2 Urban Graphite (RAL 7046) 3 Black (RAL 9005)

340 3x 5m Suspensions (wires only)

Tel: (0191) 280 9911 Email: technical@hacel.co.uk Web: www.hacel.co.uk



Aspen® Opal Pendant



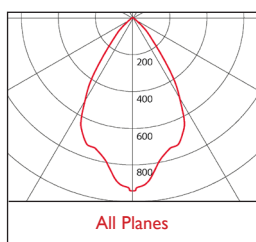
230V
50Hz

IP
20

Φ Φ
50mm

7.7 kg

Photometrics



473-474 DLOR: 0.87