



	CRI 80			CRI 90		
	20W	38W	62W	20W	38W	62W
<b>3 Warm White LED (3000K)</b>						
Lumen Output	3490 lm	6177 lm	9191 lm	2956 lm	5232 lm	7785 lm
LOR	0.99	0.99	0.99	0.99	0.99	0.99
CRI	80	80	80	90	90	90
Total Power	21.7W	41.3W	63.9W	21.7W	41.3W	63.9W
Power Factor	0.95	0.95	0.95	0.95	0.95	0.95
Running Current	0.10A	0.19A	0.29A	0.10A	0.19A	0.29A
Inrush Current (Std)	20.0A (200us)	24.7A (268us)	50.6A (210us)	20.0A (200us)	24.7A (268us)	50.6A (210us)
Inrush Current (Dim)	25.0A (140us)	28.0A (165us)	50.0A (209us)	25.0A (140us)	28.0A (165us)	50.0A (209us)
Efficacy	159 lm/W	148 lm/W	142 lm/W	134 lm/W	125 lm/W	120 lm/W
Emergency Output (BLF)	453 (13%)	432 (7%)	367 (4%)	384 (13%)	366 (7%)	311 (4%)
<b>4 Neutral White LED (4000K)</b>						
Lumen Output	3639 lm	6441 lm	9583 lm	3105 lm	5497 lm	8178 lm
LOR	0.99	0.99	0.99	0.99	0.99	0.99
CRI	80	80	80	90	90	90
Total Power	21.7W	41.3W	63.9W	21.7W	41.3W	63.9W
Power Factor	0.95	0.95	0.95	0.95	0.95	0.95
Running Current	0.10A	0.19A	0.29A	0.10A	0.19A	0.29A
Inrush Current (Std)	20.0A (200us)	24.7A (268us)	50.6A (210us)	20.0A (200us)	24.7A (268us)	50.6A (210us)
Inrush Current (Dim)	25.0A (140us)	28.0A (165us)	50.0A (209us)	25.0A (140us)	28.0A (165us)	50.0A (209us)
Efficacy	166 lm/W	154 lm/W	148 lm/W	141 lm/W	131 lm/W	126 lm/W
Emergency Output (BLF)	473 (13%)	450 (7%)	383 (4%)	403 (13%)	384 (7%)	327 (4%)

## Aspen® Ice



### LED CRI 80

Power	LED	PN	LED	20	38	62	Efficacy
20W	LED	PN1097	LED	20	38	62	475
38W	LED	PN1097	LED	38	38	62	475
62W	LED	PN1097	LED	62	38	62	475

### LED CRI 90

Power	LED	PN	LED	20	38	62	Efficacy
20W	LED	PN1098	LED	20	38	62	476
38W	LED	PN1098	LED	38	38	62	476
62W	LED	PN1098	LED	62	38	62	476

- Lumen outputs from 2956 to 9583 lumens
- Efficacies of up to 166 lm/W
- Single Point Zhaga Book 3 LED
- Colour stability within 3 MacAdams
- Life expectancy in excess of 55,000 hours (L90 B10)
- Wireless Lighting Control available, see Connected video for full overview

Gear types F & G must be operated through a DSI

- A** Integral Driver/Remote
- E** Emergency
- F** Digital Dim
- G** Digital Dim + Emergency
- J** Switch Dim
- K** Switch Dim + Emergency
- S** DALI Dim
- T** DALI Dim + Emergency
- C** DALI Dim + DALI Emergency
- L** DALI Bluetooth
- M** DALI Bluetooth + Emergency

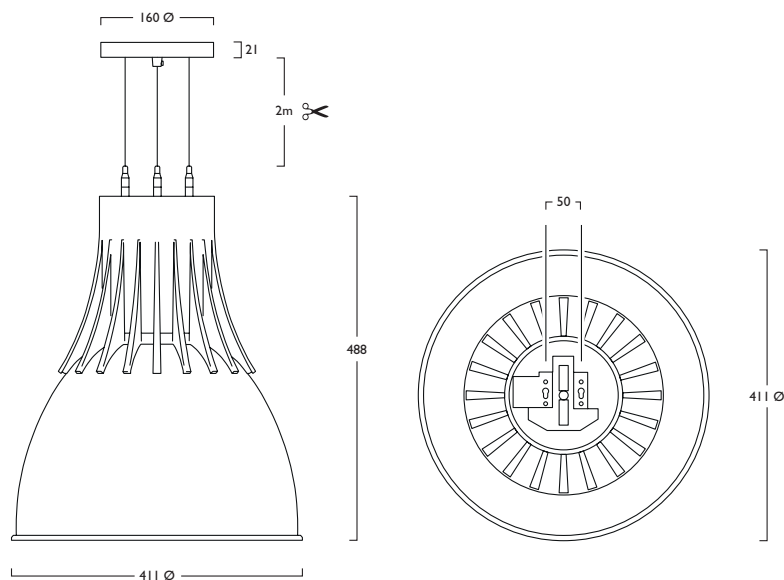
**3** Warm (3000K)    **4** Neutral (4000K)

**1** White (RAL 9010)    **2** Urban Graphite (RAL 7046)    **3** Black (RAL 9005)

**340** 3x 5m Suspensions (wires only)



## Aspen<sup>®</sup> Ice



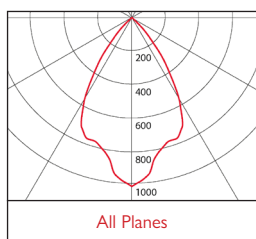
230V  
50Hz

**IP**  
20

⊕ ⊕  
50mm

⚠  
7.7 kg

### Photometrics



475-476 DLOR: 0.99