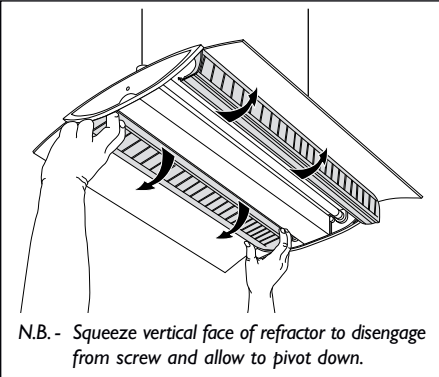
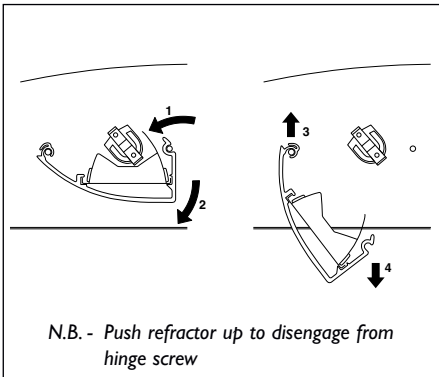


Cleaning refractors/louvres

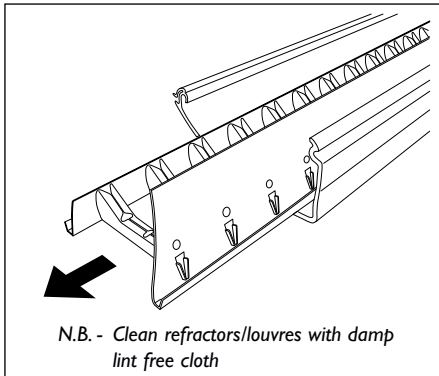
1



2



3



IMPORTANT INFORMATION

iMod® Pendant



Disconnect electricity supply before installation.

To be installed by qualified personnel only.

When installing, Hacer recommends wearing disposable gloves to avoid fingerprinting to the paint work of the luminaire.

Read leaflet fully before installation.

Lamps should be installed and used within the lamp manufacturers guidelines.

Hacer[®]
Fluent in Lighting

THE SILVERLINK
WALLSEND
NEWCASTLE UPON TYNE
TYNE & WEAR
NE28 9ND

TECHNICAL: (0191) 280 9914

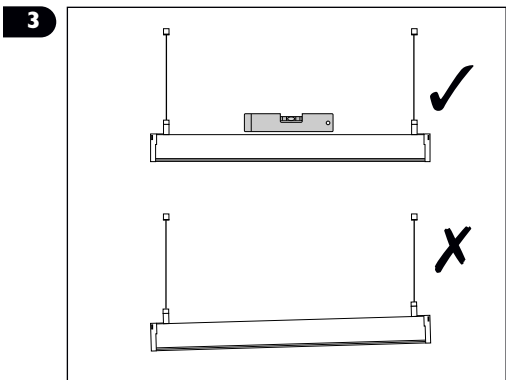
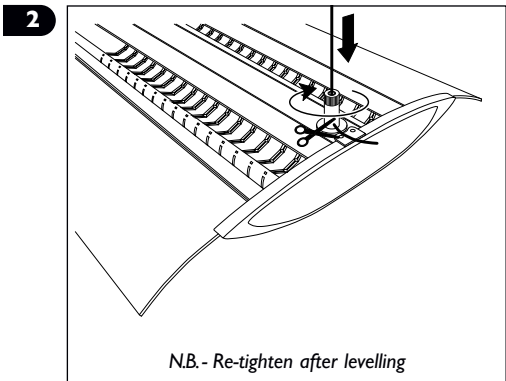
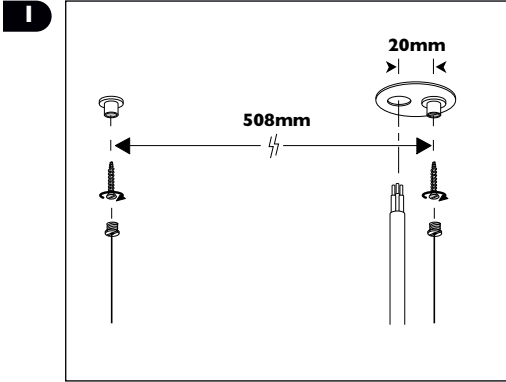
FAX: (0191) 263 0946

E-MAIL: technical@hacer.co.uk

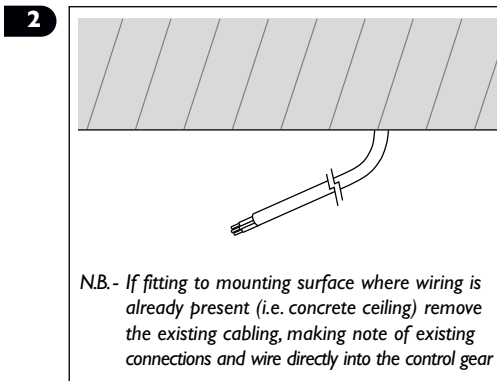
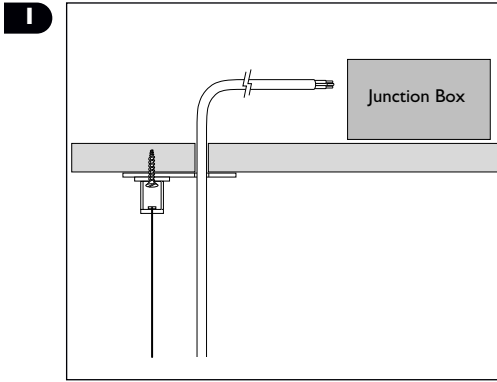
WEB: www.hacer.co.uk

10/2015 79_0100

Installation



Wiring



Lamp installation

