

IMPORTANT INFORMATION

Ariga LED Surface



Disconnect electricity supply before installation.

To be installed by qualified personnel only.

When installing, Hacel recommends wearing disposable gloves to avoid fingerprinting to the paint work of the luminaire.

Read leaflet fully before installation.

Lamps should be installed and used within the lamp manufacturers guidelines.

Hacel
Fluent in Lighting

THE SILVERLINK, WALLSEND, NEWCASTLE UPON TYNE,
TYNE & WEAR, NE28 9ND

TECHNICAL: (0191) **280 9914**

FAX: (0191) **263 0946**

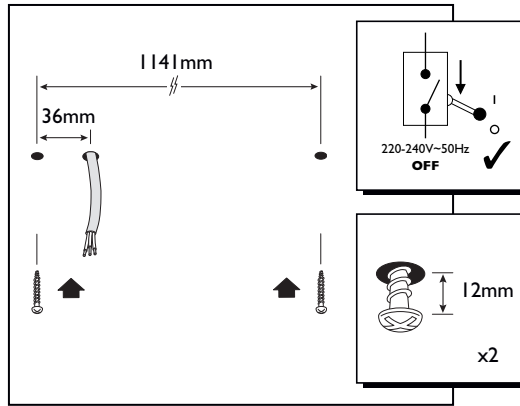
E-MAIL: technical@hacel.co.uk

WEB: www.hacel.co.uk

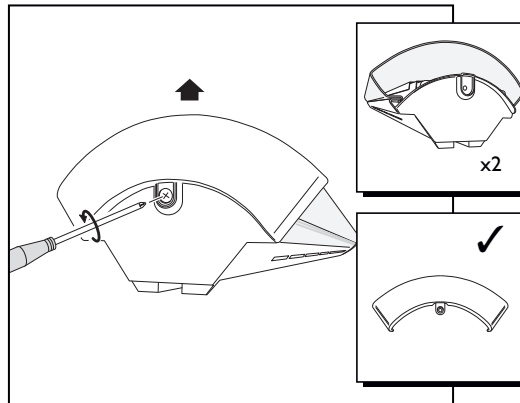
06/2014 79_0154

Preparation

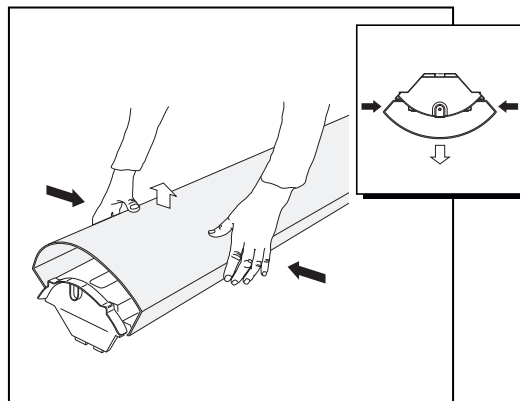
1



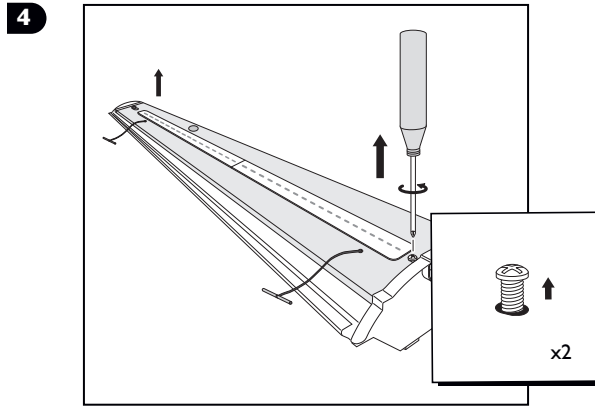
2



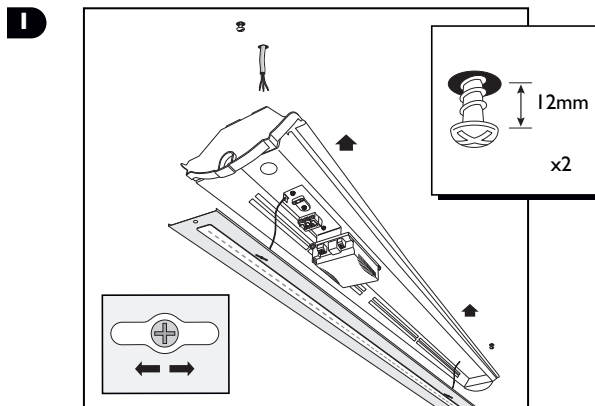
3



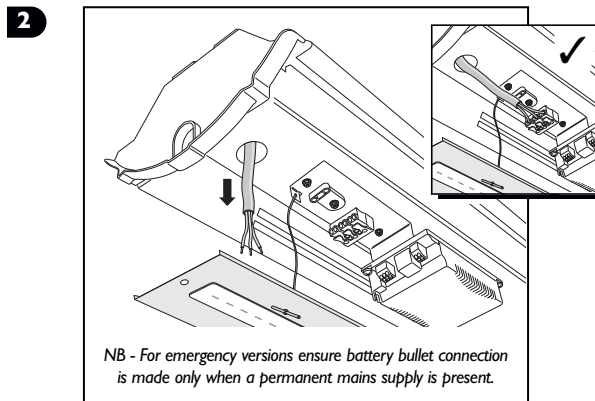
Preparation Cont.



Installation

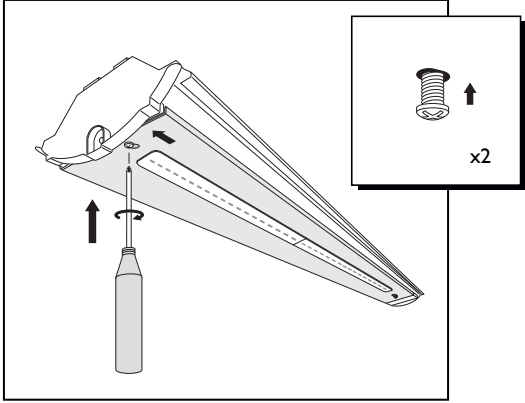


NB - Tighten screws securely when located

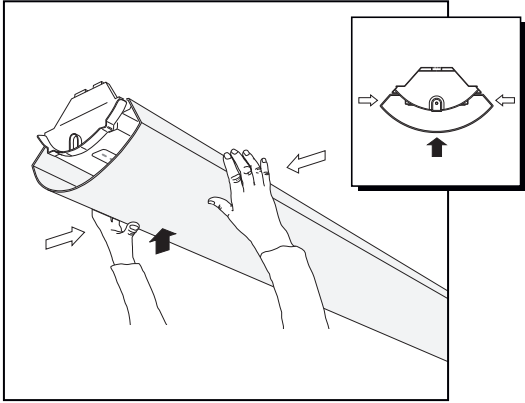


Installation Cont

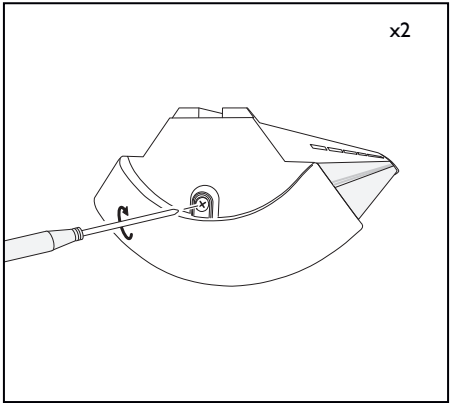
3



4



5



Installation Cont

6

