

## IMPORTANT INFORMATION

### Solos® Wall/Ceiling Light



**Disconnect electricity supply before installation.**

To be installed by qualified personnel only.

When installing, Hacel recommends wearing disposable gloves to avoid fingerprinting to the paint work of the luminaire.

Read leaflet fully before installation.

Lamps should be installed and used within the lamp manufacturers guidelines.

**Hacel**<sup>®</sup>  
Fluent in Lighting

THE SILVERLINK, WALLSEND, NEWCASTLE UPON TYNE,  
TYNE & WEAR, NE28 9ND

TECHNICAL: (0191) **280 9914**

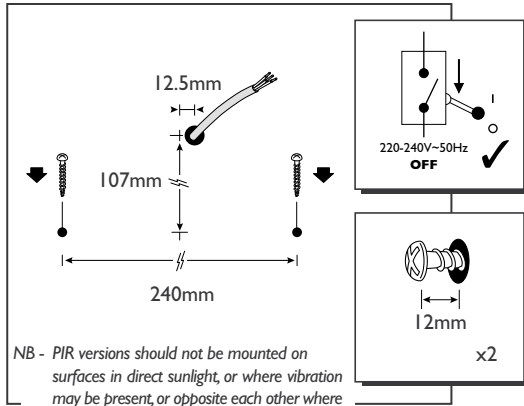
FAX:: (0191) **263 0946**

E-MAIL: [technical@hacel.co.uk](mailto:technical@hacel.co.uk)

WEB: [www.hacel.co.uk](http://www.hacel.co.uk)

## Preparation

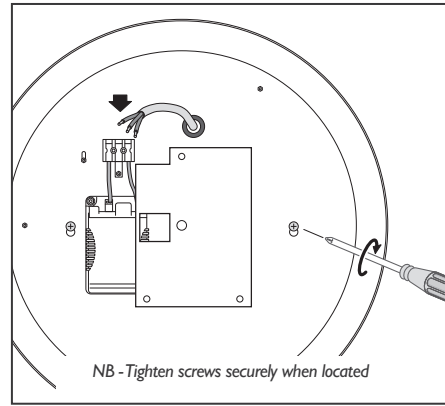
1



NB - PIR versions should not be mounted on surfaces in direct sunlight, or where vibration may be present, or opposite each other where the detection pattern will encroach on the detection pattern of other PIR luminaires.

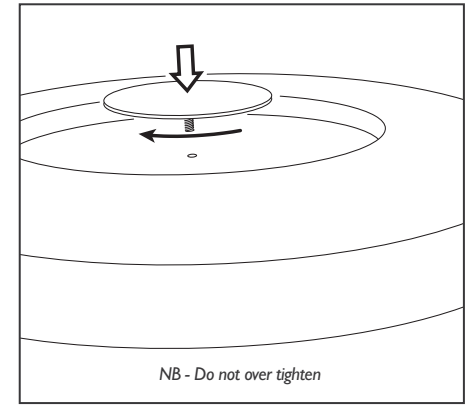
## Installation Cont.

2

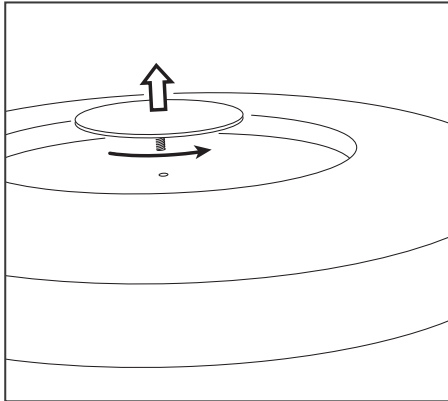


## Installation Cont.

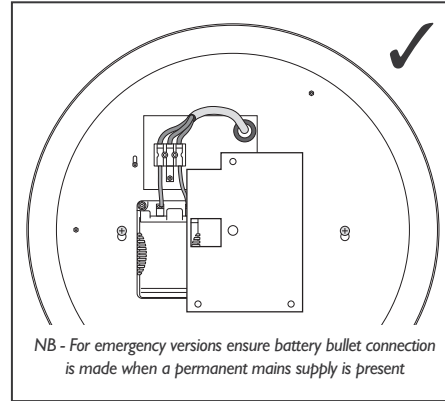
5



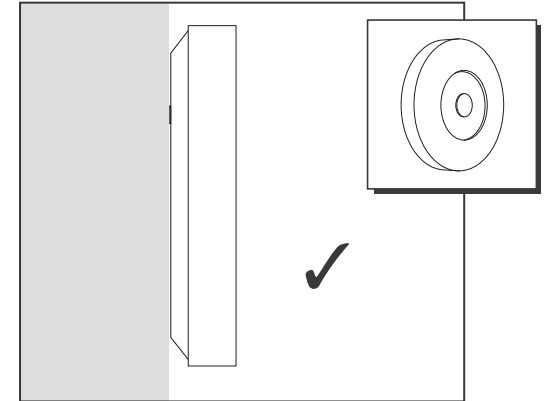
2



3

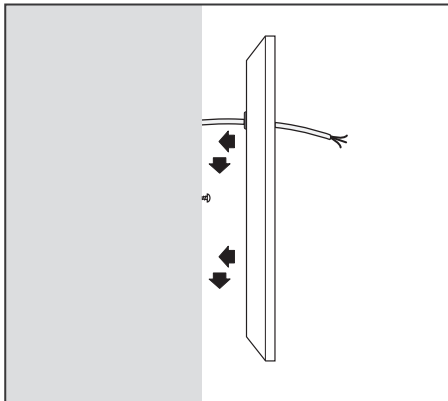


6

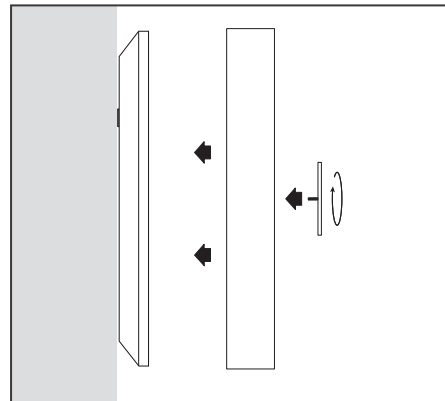


## Installation

1



4



## TFL Lamp Installation

1

