

IMPORTANT INFORMATION

SkyMod Grid Light SkyMod Linear Grid Light



Disconnect electricity supply before installation

To be installed by qualified personnel only.

When installing, we recommend wearing disposable gloves to avoid fingerprinting to the paint work of the luminaire.

Read leaflet fully before installation.

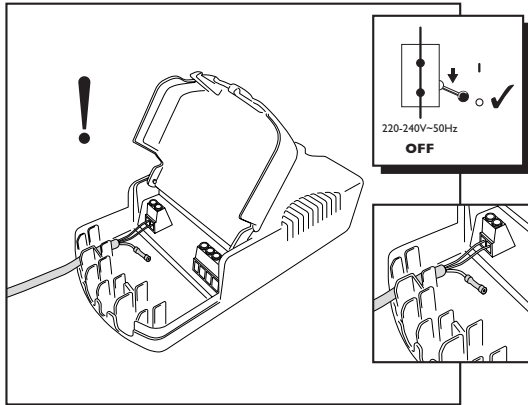
Hacel[®]
Fluent in Lighting

THE SILVERLINK, WALLSEND, NEWCASTLE UPON TYNE,
TYNE & WEAR, NE28 9ND

Technical: (0191) 280 9914
Email: technical@hacel.co.uk
Web: www.hacel.co.uk

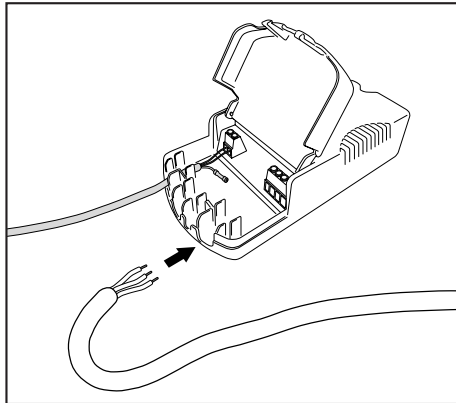
Installation

1



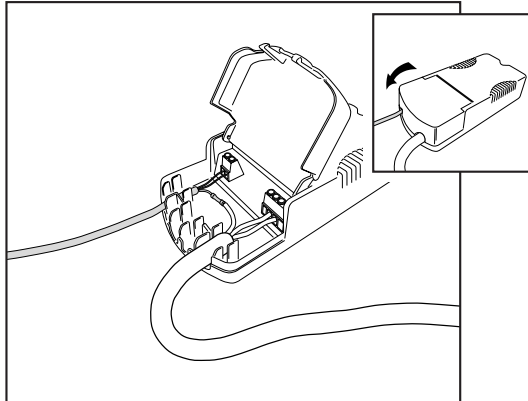
NB: An earth cable is supplied for earthing the luminaire head

2

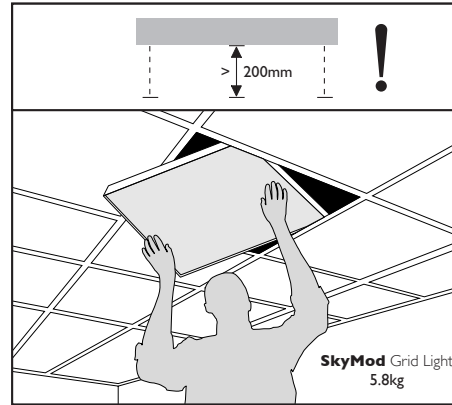


NB: For Emergency versions ensure battery bullet connection is made only when a permanent mains supply is present.

3

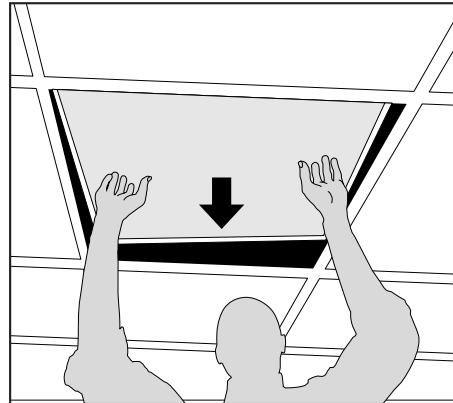


4

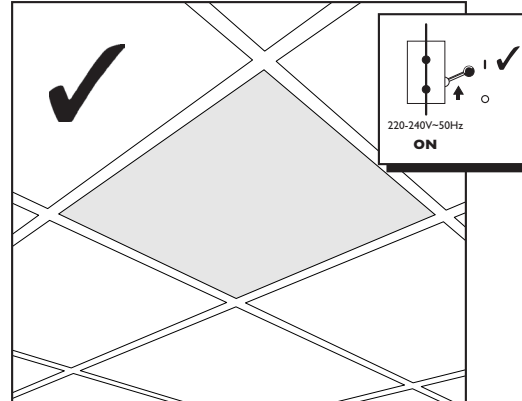


NB: Wearing latex gloves will prevent marking

5

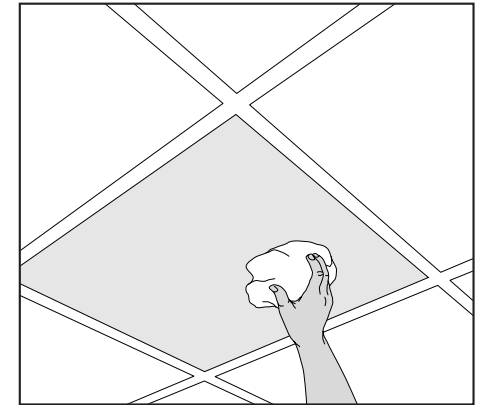


6



Cleaning refractor

1



NB: Clean refractor with damp lint free cloth