

IMPORTANT INFORMATION

Quba Solo, Duet Interior

Solo WL060, Duet WL061



Quba Solo WL060 *Shown*

Disconnect electricity supply before installation.

To be installed by qualified personnel only.

When installing, Hacer recommends wearing disposable gloves to avoid fingerprinting to the paint work of the luminaire.

Read leaflet fully before installation.

Hacer[®]
Fluent in Lighting

THE SILVERLINK, WALLSEND, NEWCASTLE UPON TYNE,
TYNE & WEAR, NE28 9ND

TECHNICAL: (0191) **280 9914**

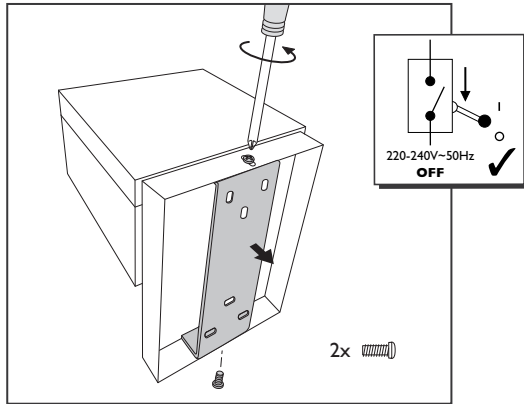
FAX:: (0191) **263 0946**

E-MAIL: technical@hacer.co.uk

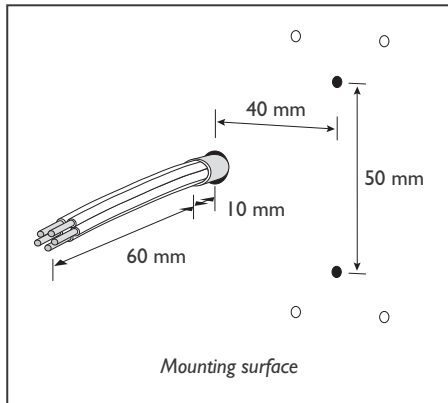
WEB: www.hacer.co.uk

Preparation

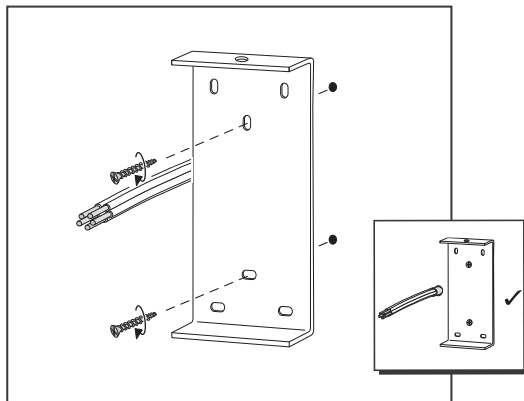
1



2

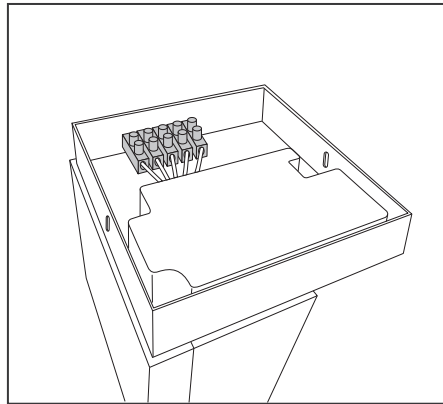


3

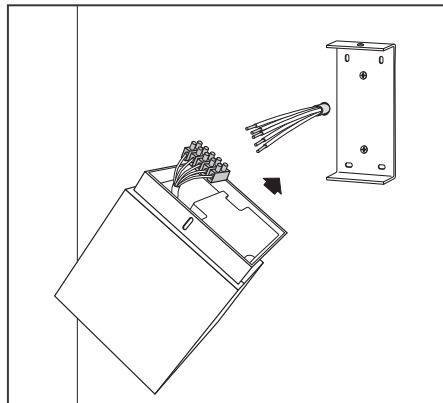


Installation (Interior)

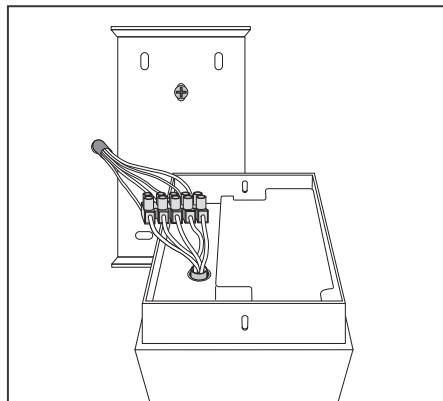
4



5



6



Installation (Interior) Cont.

7

