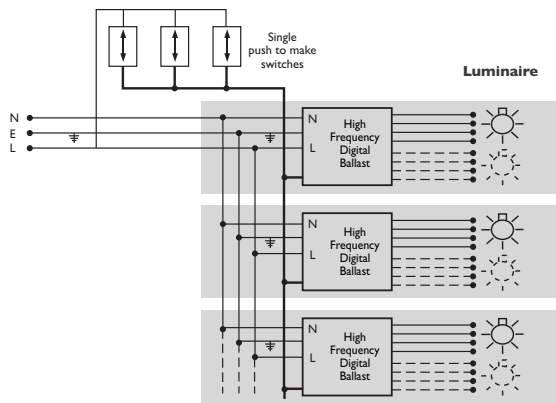
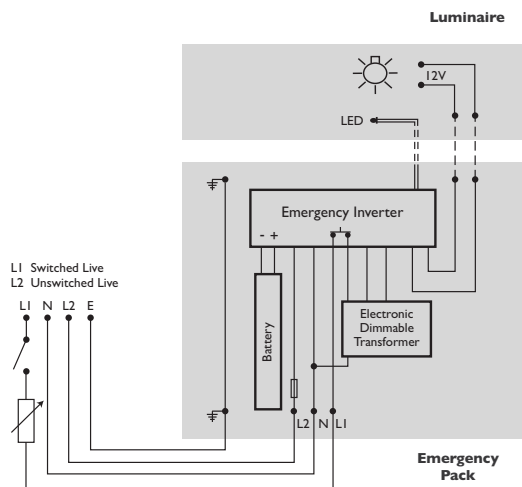


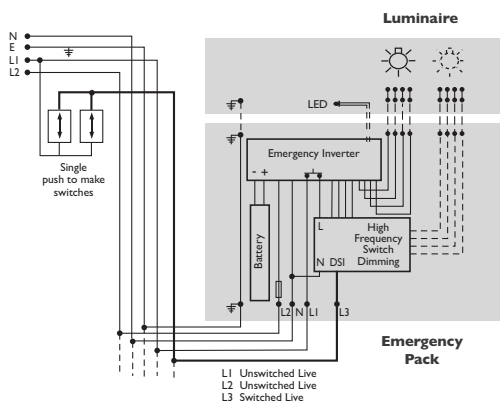
J



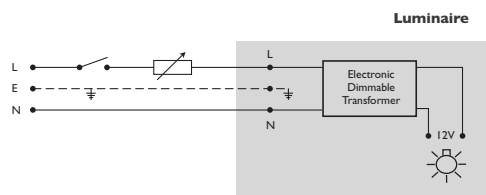
N



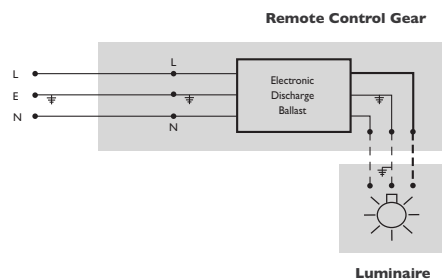
K



M

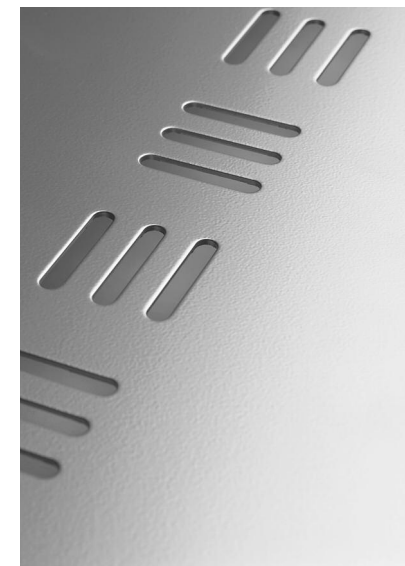


Q



IMPORTANT INFORMATION

Network



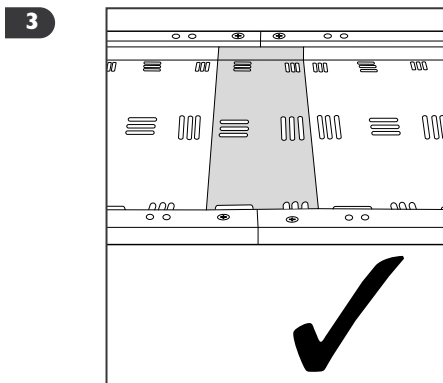
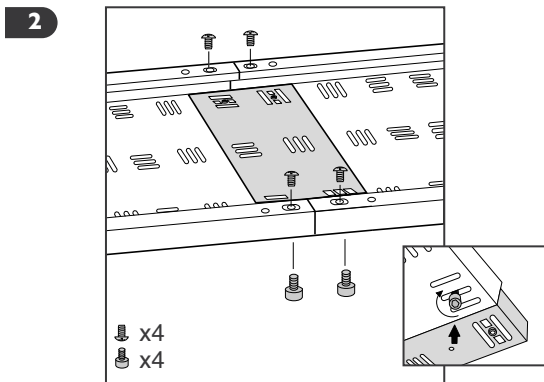
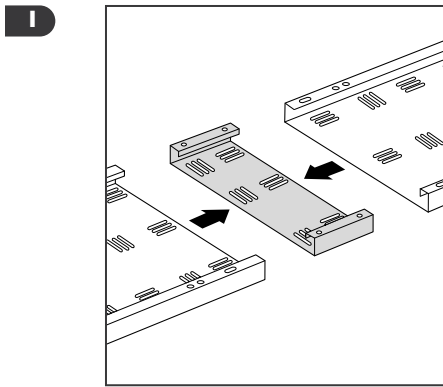
TECHNICAL (0191) 280 9914

Hacel[®]
Fluent in Lighting

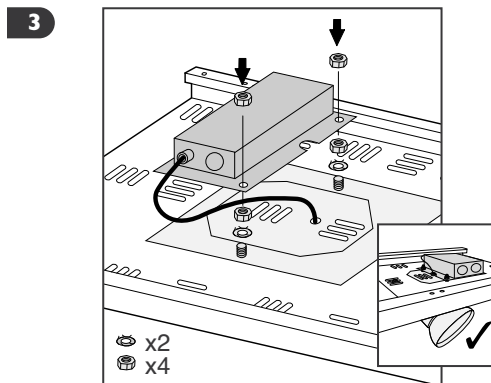
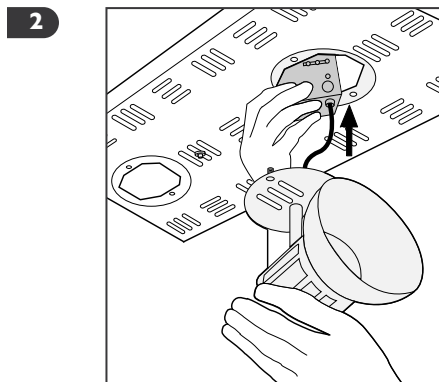
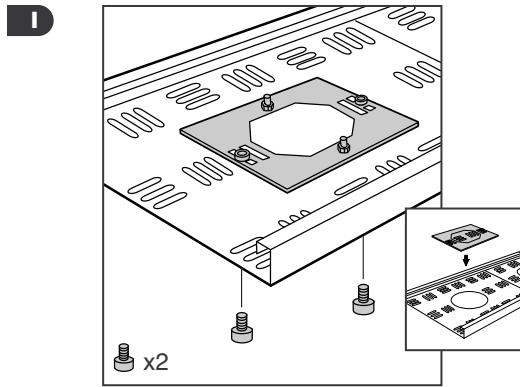
THE SILVERLINK, WALLSEND, NEWCASTLE UPON TYNE,
TYNE & WEAR, NE28 9ND

TECHNICAL: (0191) **280 9914**
FAX: (0191) **263 0946**
E-MAIL: technical@hacel.co.uk
WEB: www.hacel.co.uk

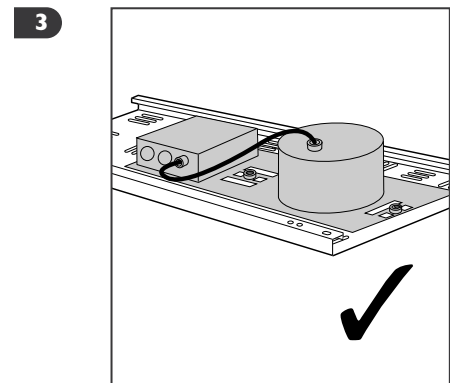
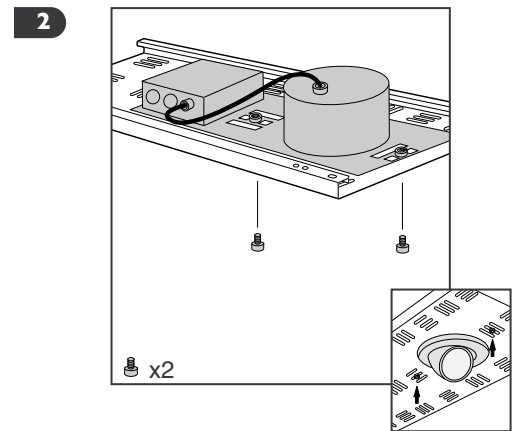
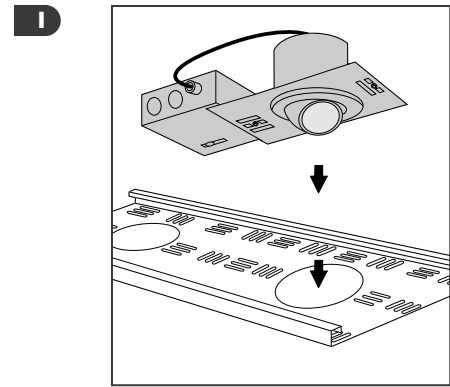
Coupler Module



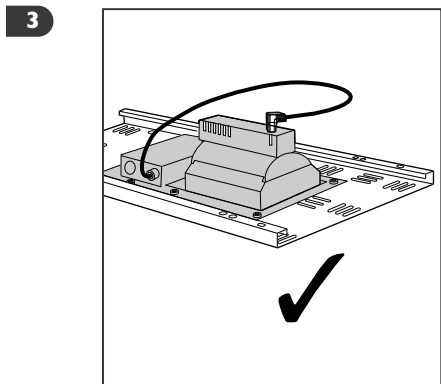
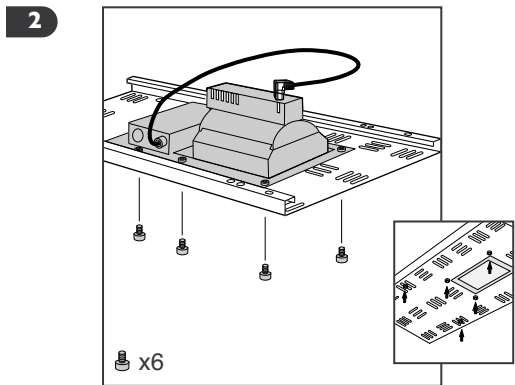
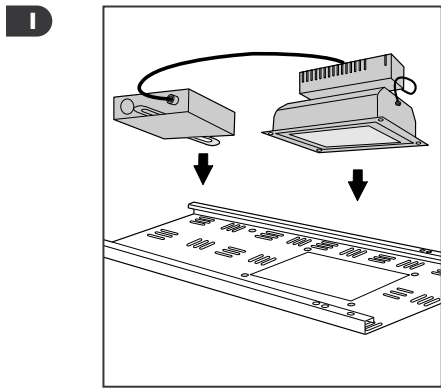
Power Spot Assembly



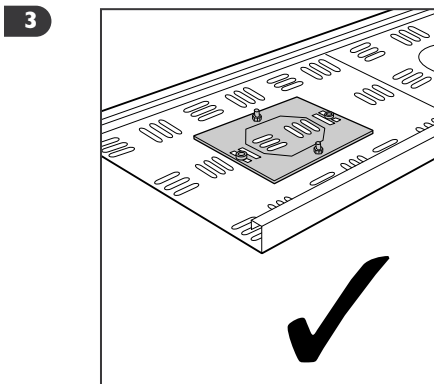
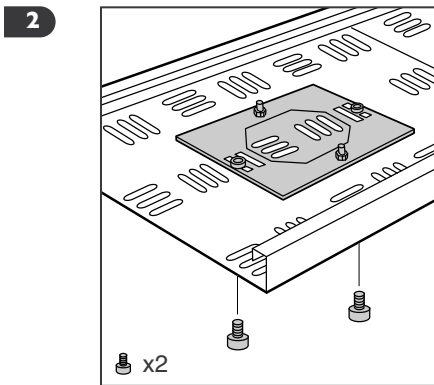
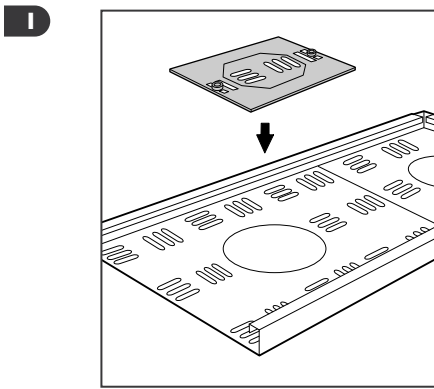
Downlighter Assembly



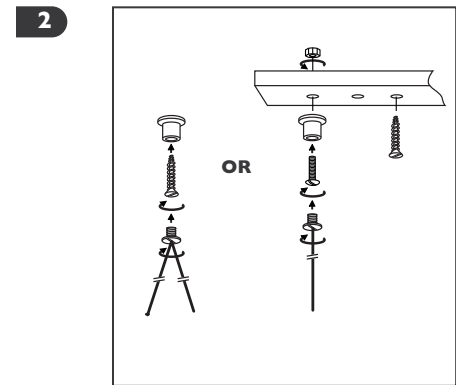
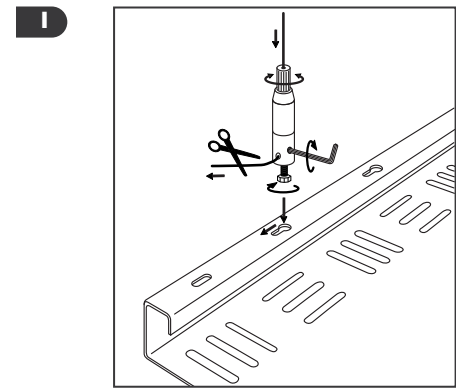
Luminaire Module Assembly



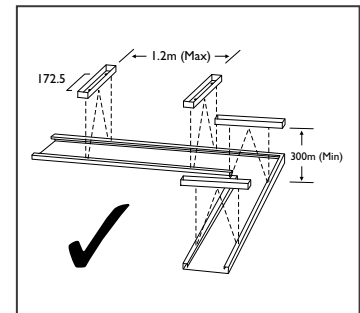
Blanking Port Assembly



Suspension Kit Assembly

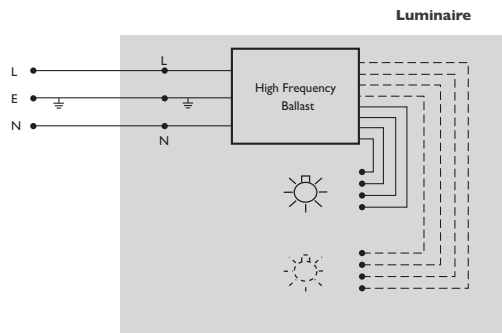


Suspension Kit Spacing

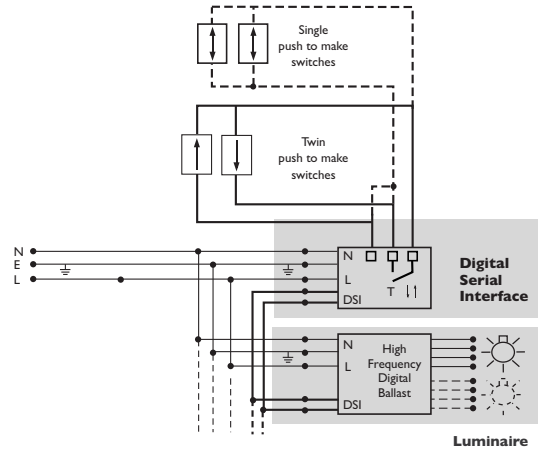


Wiring Diagrams

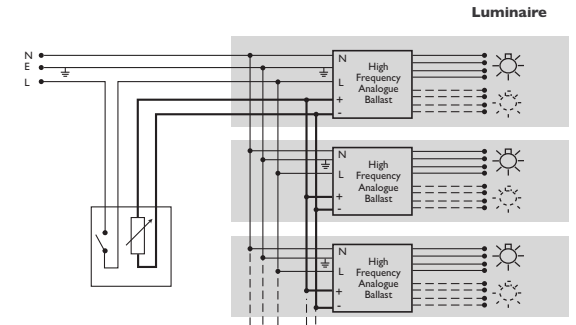
D



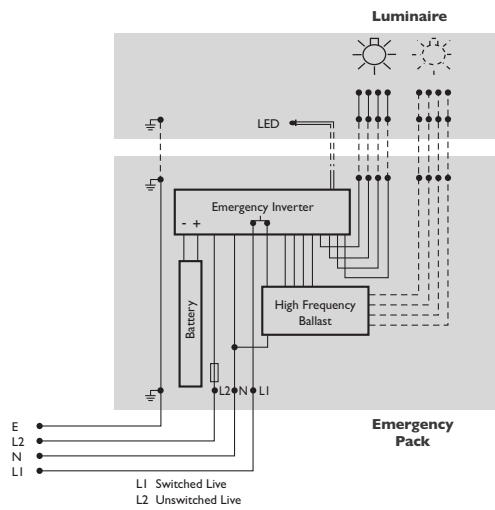
F



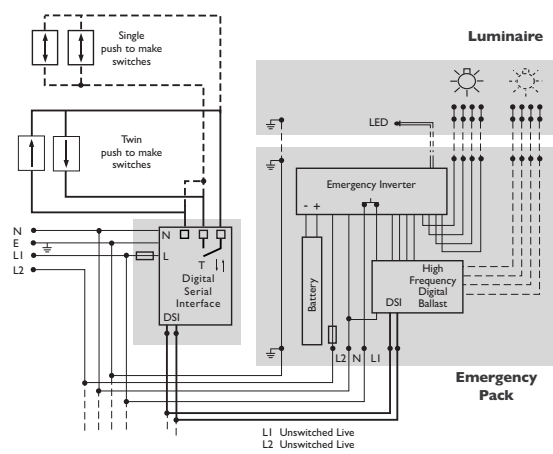
H



E



G



I

