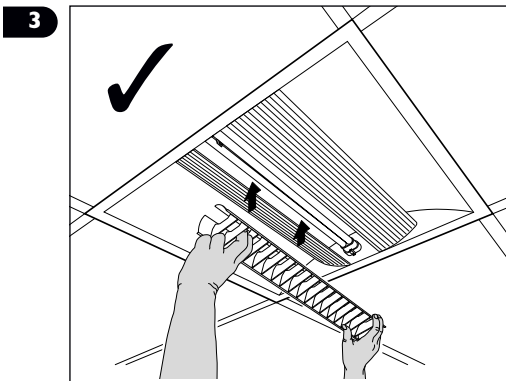
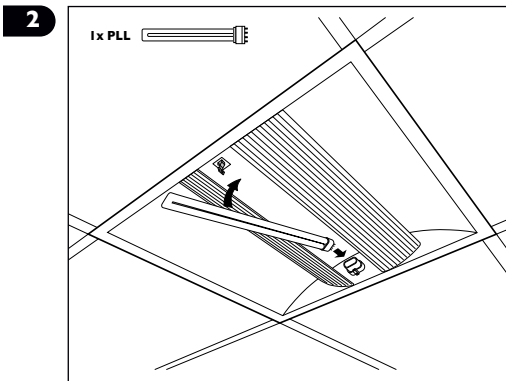
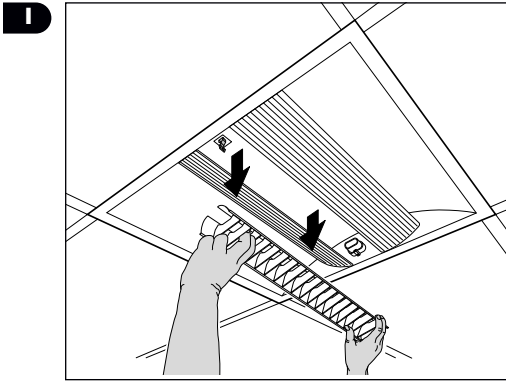
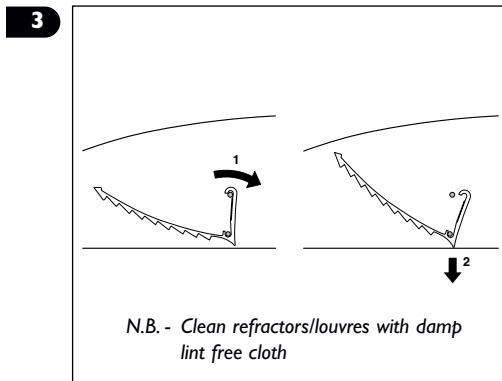
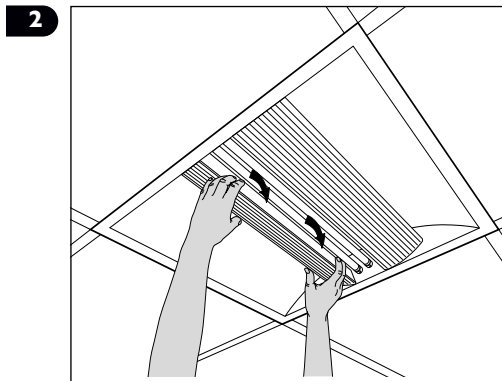
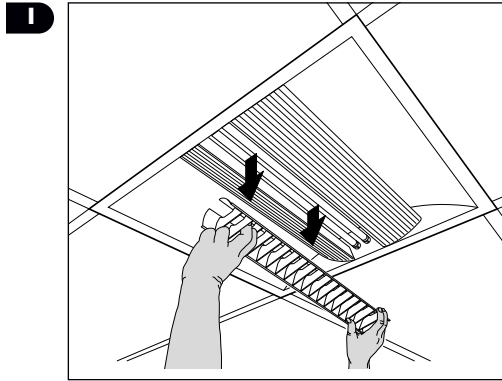


PLL Lamp installation



Cleaning refractors/louvres



IMPORTANT INFORMATION

iMod® Solo



Disconnect electricity supply before installation.

To be installed by qualified personnel only.

When installing, Hacer recommends wearing disposable gloves to avoid fingerprinting to the paint work of the luminaire.

Read leaflet fully before installation.

Lamps should be installed and used within the lamp manufacturers guidelines.

Hacer[®]
Fluent in Lighting

THE SILVERLINK, WALLSEND, NEWCASTLE UPON TYNE,
TYNE & WEAR, NE28 9ND

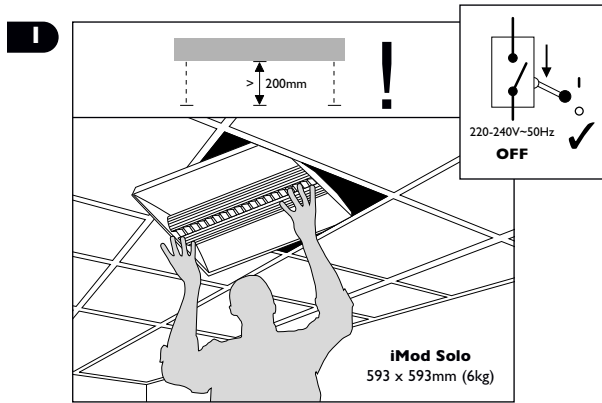
TECHNICAL: (0191) **280 9914**

FAX: (0191) **263 0946**

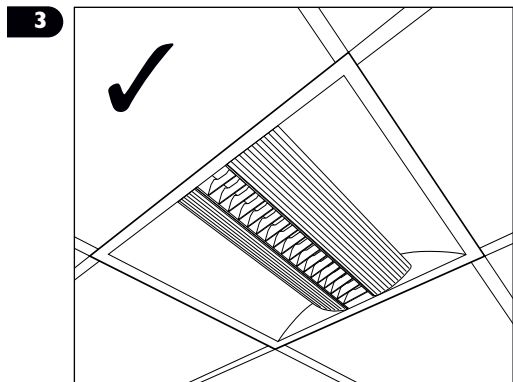
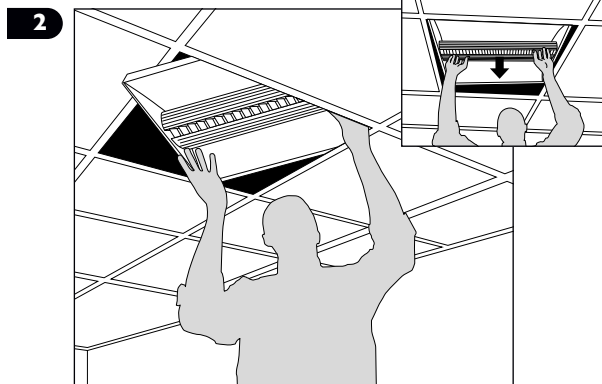
E-MAIL: technical@hacer.co.uk

WEB: www.hacer.co.uk

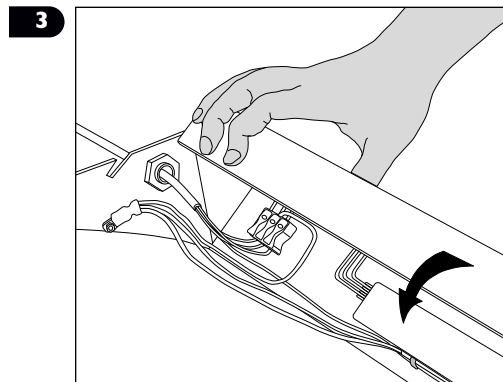
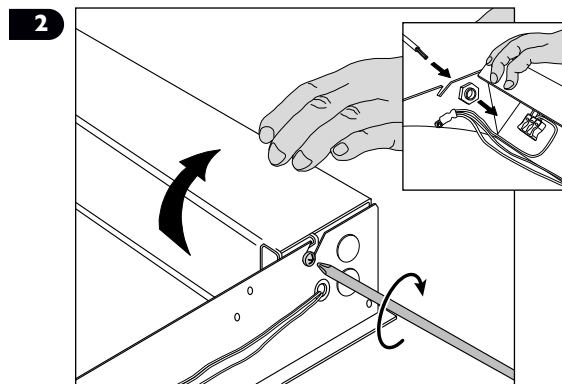
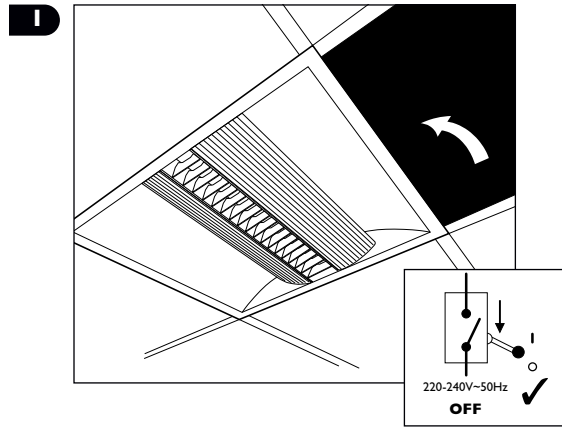
Installation



N.B. - Wearing latex gloves will prevent marking



Wiring preparation



TFL Lamp installation

