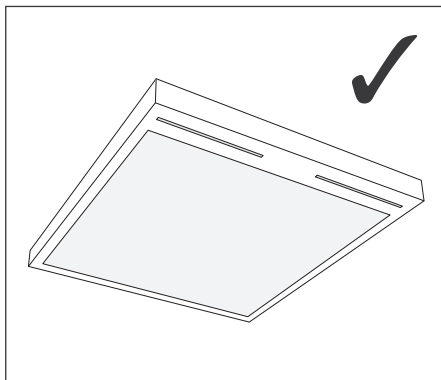


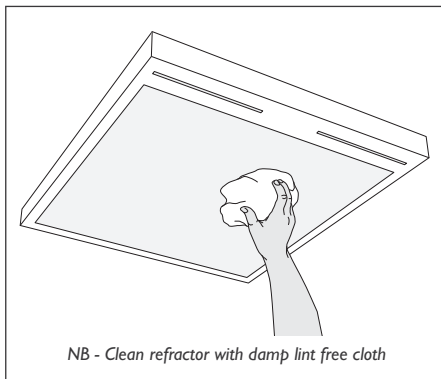
Installation Cont.

7



Cleaning refractor

1



NB - Clean refractor with damp lint free cloth

IMPORTANT INFORMATION

SkyMod Surface



Disconnect electricity supply before installation.

To be installed by qualified personnel only.

When installing, Hacel recommends wearing disposable gloves to avoid fingerprinting to the paint work of the luminaire.

Read leaflet fully before installation.

Lamps should be installed and used within the lamp manufacturers guidelines.

Hacel[®]
Fluent in Lighting

THE SILVERLINK, WALLSEND, NEWCASTLE UPON TYNE,
TYNE & WEAR, NE28 9ND

TECHNICAL: (0191) **280 9914**

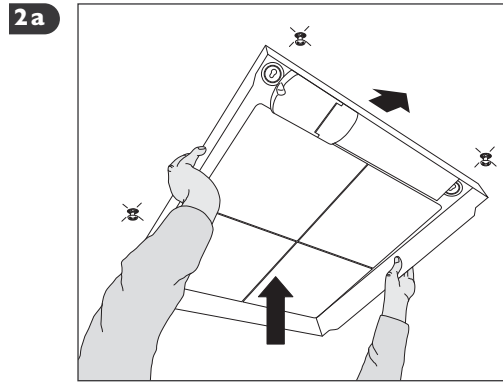
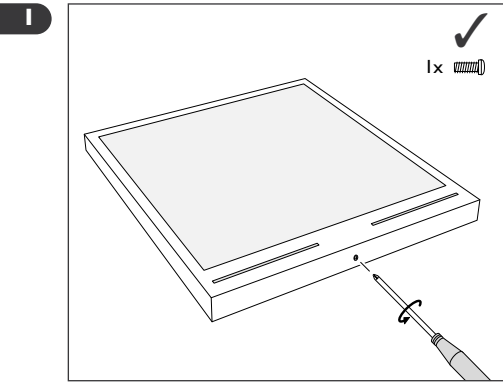
FAX:: (0191) **263 0946**

E-MAIL: technical@hacel.co.uk

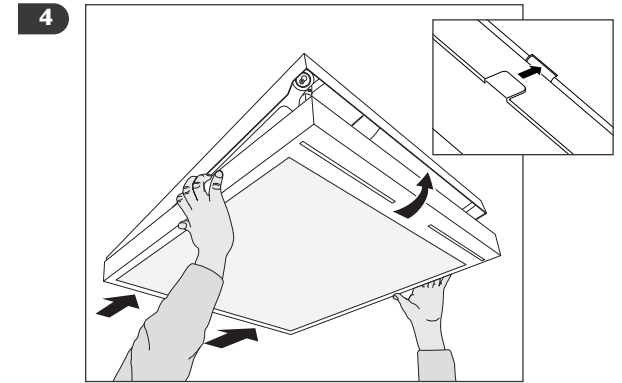
WEB: www.hacel.co.uk

10/2015 79_0145

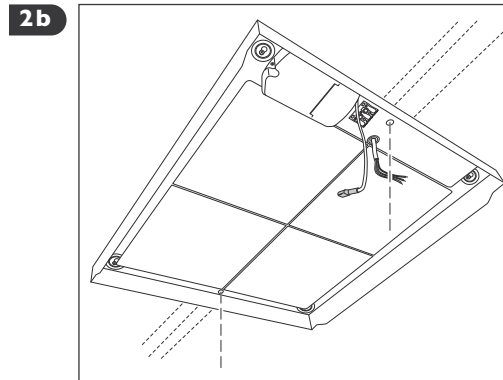
Preparation



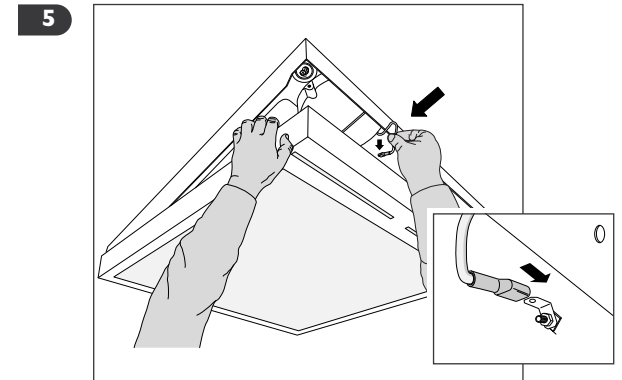
NB - Tighten screws securely when located



Installation (Trunking)



NB - Cover keyholes to stop insect entry



Installation (Surface)

