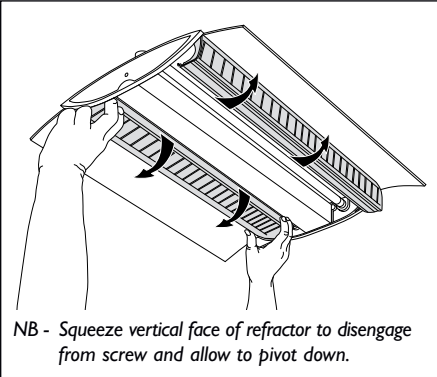
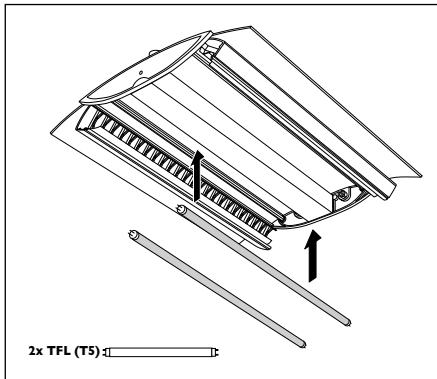


Lamp installation

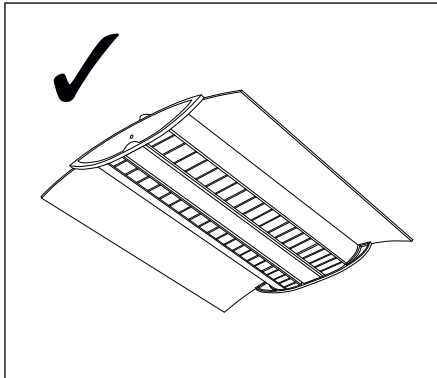
1



2

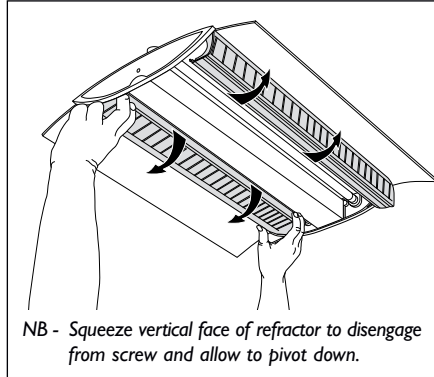


3

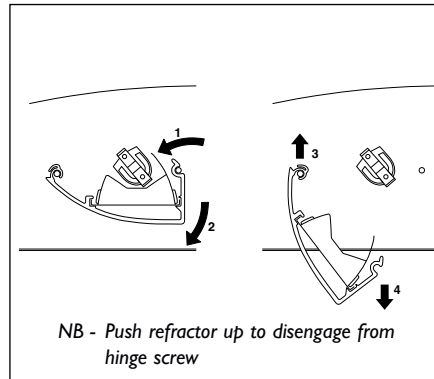


Cleaning refractors/louvres

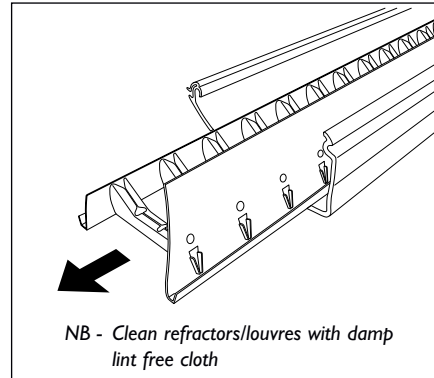
1



2



3



IMPORTANT INFORMATION

iMod Surface



Disconnect electricity supply before installation.

To be installed by qualified personnel only.

When installing, Hacel recommends wearing disposable gloves to avoid fingerprinting to the paint work of the luminaire.

Read leaflet fully before installation.

Lamps should be installed and used within the lamp manufacturers guidelines.

Hacel[®]
Fluent in Lighting

THE SILVERLINK, WALLSEND, NEWCASTLE UPON TYNE,
TYNE & WEAR, NE28 9ND

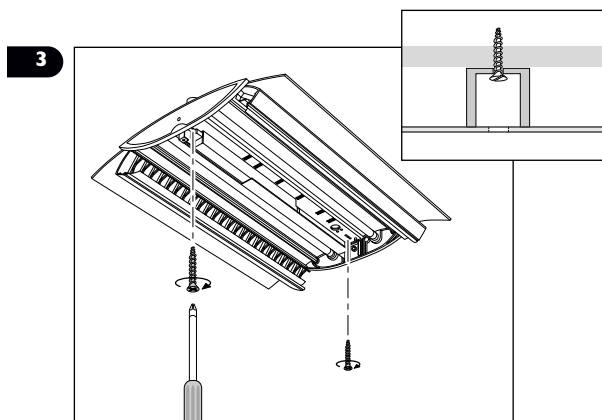
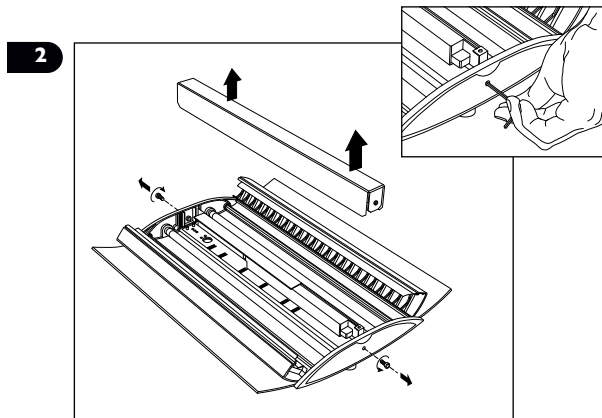
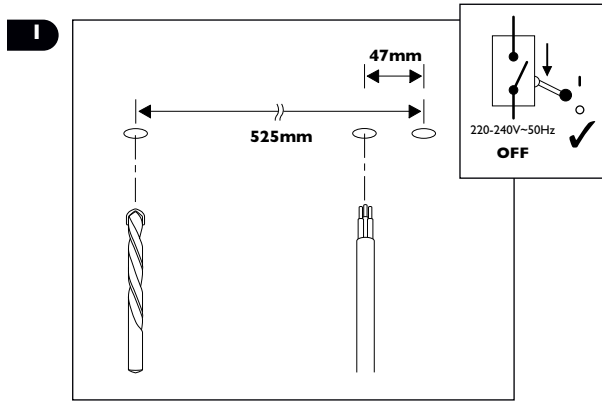
TECHNICAL: (0191) 280 9914

FAX:: (0191) 263 0946

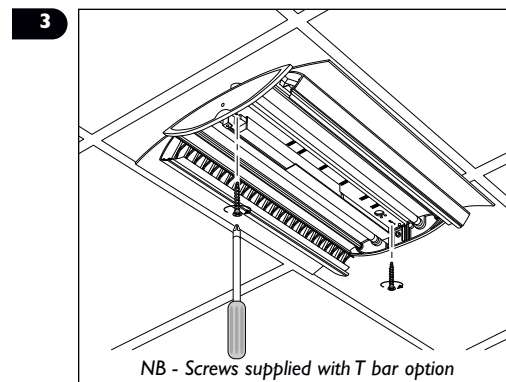
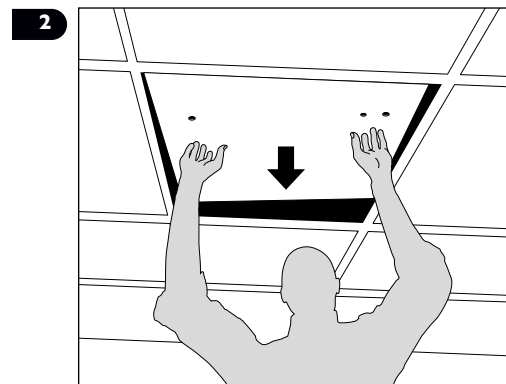
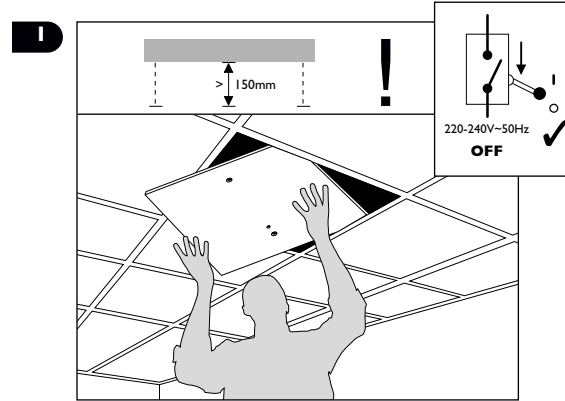
E-MAIL: technical@hacel.co.uk

WEB: www.hacel.co.uk

Installation



T bar installation



Wiring

