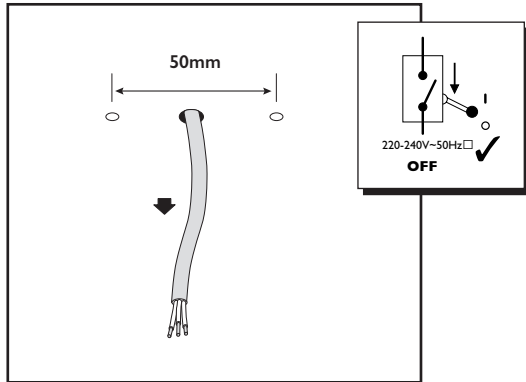
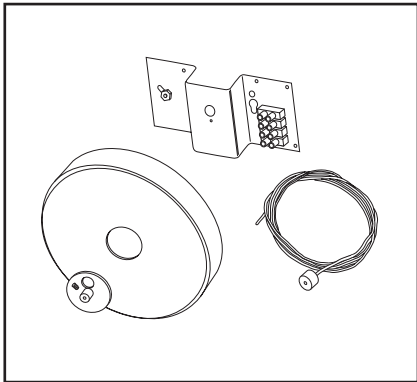


## Preparation

1

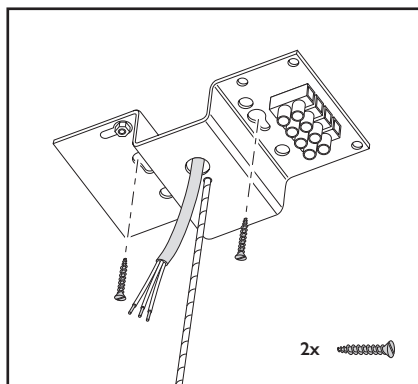


2



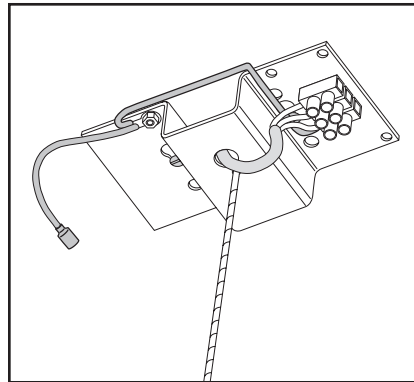
## Installation

1

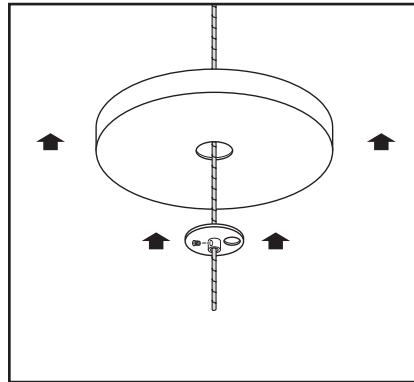


## Installation Cont.

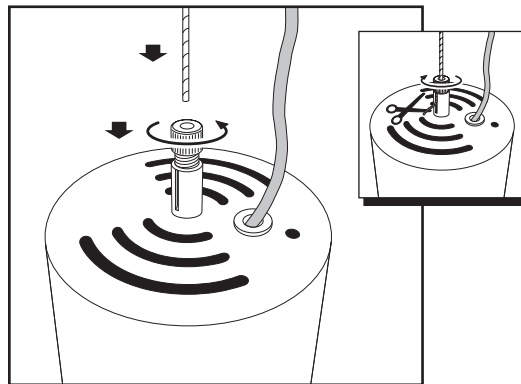
2



3

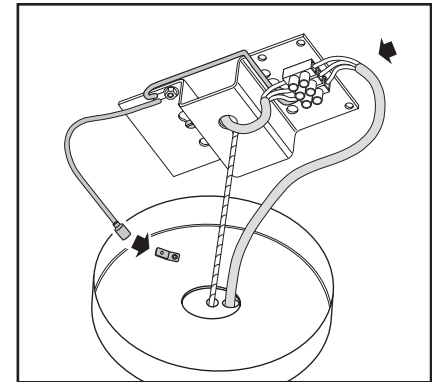


4

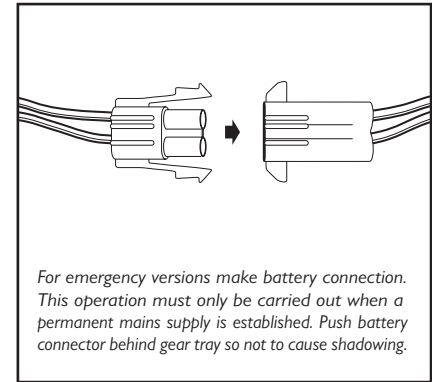


## Installation Cont.

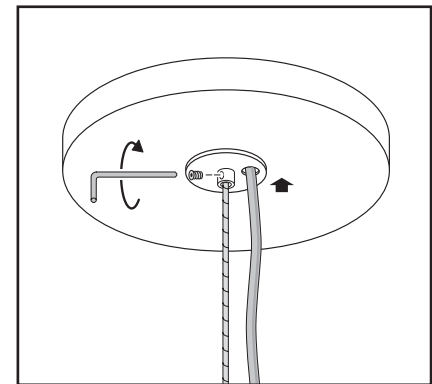
5



6

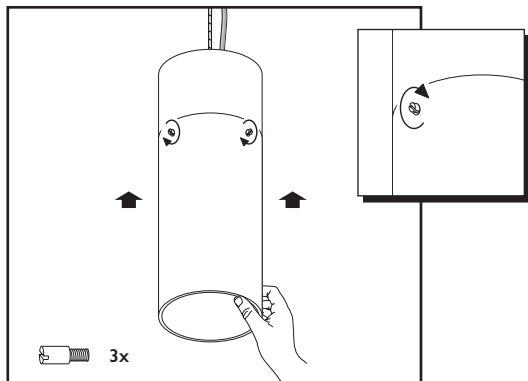


7

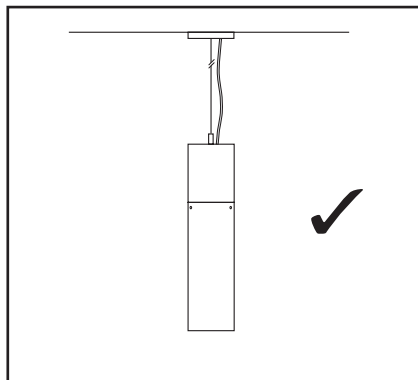


Installation Cont.

8



9



## IMPORTANT INFORMATION

### Vici® Pendant PN455/PN949



Disconnect electricity supply before installation.

To be installed by qualified personnel only.

When installing, Hacer recommends wearing disposable gloves to avoid fingerprinting to the paint work of the luminaire.

Read leaflet fully before installation.

**Hacer**<sup>®</sup>  
Fluent in Lighting

THE SILVERLINK, WALLSEND, NEWCASTLE UPON TYNE,  
TYNE & WEAR, NE28 9ND

Technical: (0191) 280 9914  
Email: [technical@hacer.co.uk](mailto:technical@hacer.co.uk)  
Web: [www.hacer.co.uk](http://www.hacer.co.uk)