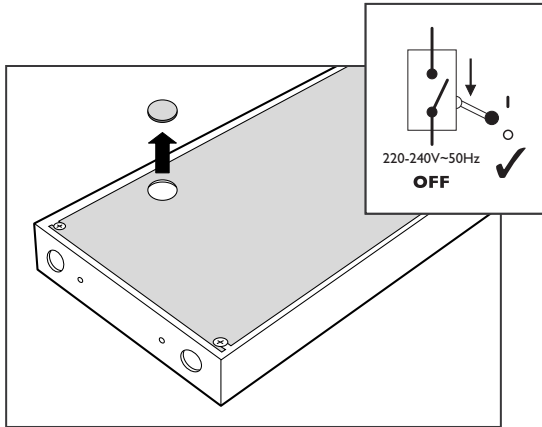
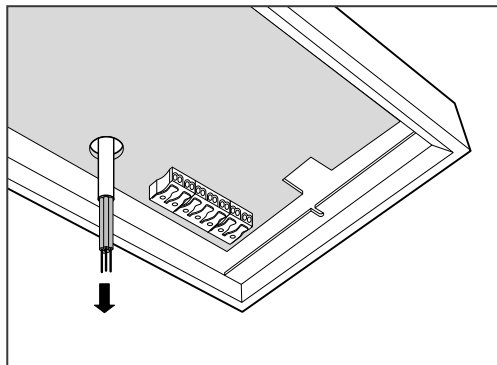


## Wiring in to module

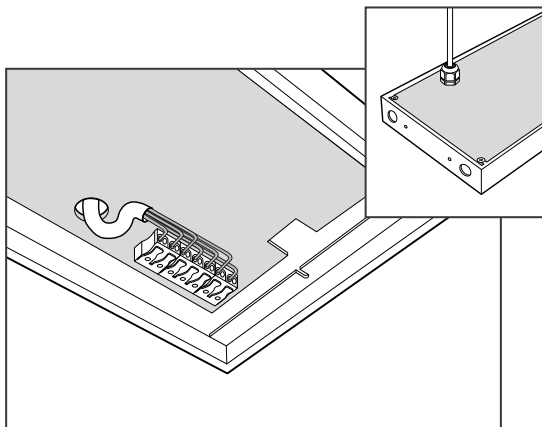
1



2

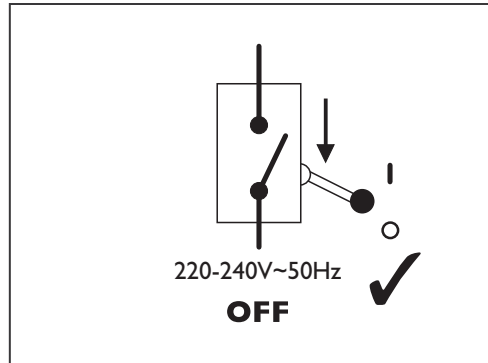


3

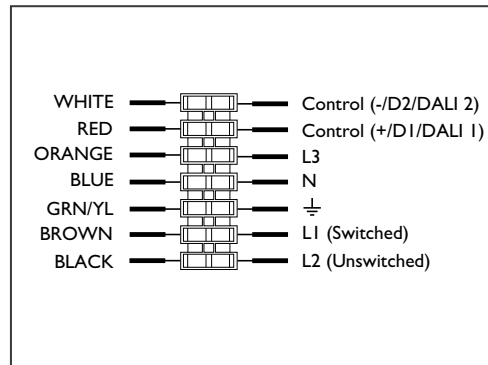


## Electrical connections

1



2



## IMPORTANT INFORMATION

### Linear Light4 Link/Solo



**Disconnect electricity supply before installation.**

To be installed by qualified personnel only.

When installing, Hacer recommends wearing disposable gloves to avoid fingerprinting to the paint work of the luminaire.

Read leaflet fully before installation.

Lamps should be installed and used within the lamp manufacturers guidelines.

**Hacer**<sup>®</sup>  
Fluent in Lighting

THE SILVERLINK, WALLSEND, NEWCASTLE UPON TYNE,  
TYNE & WEAR, NE28 9ND

TECHNICAL: (0191) 280 9914

FAX: (0191) 263 0946

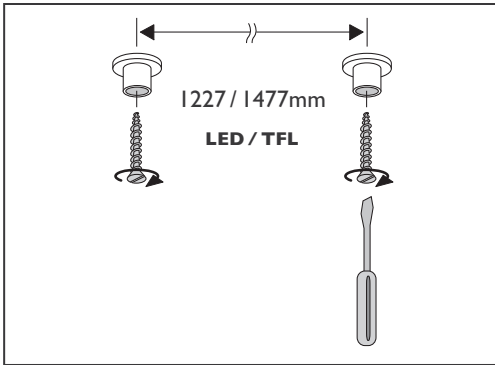
E-MAIL: [technical@hacer.co.uk](mailto:technical@hacer.co.uk)

WEB: [www.hacer.co.uk](http://www.hacer.co.uk)

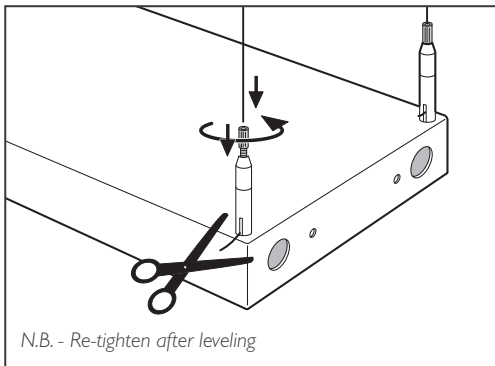
01/2016 79\_0404

## Suspended modules

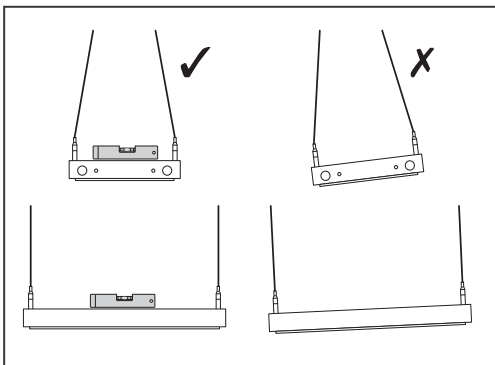
1



2

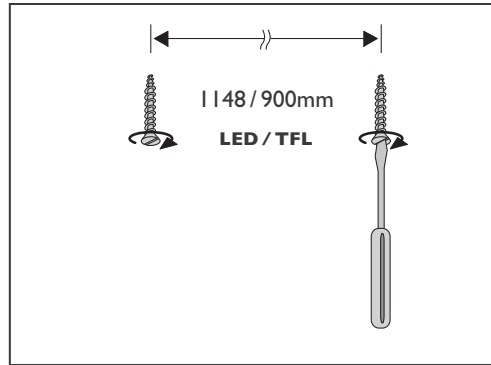


3

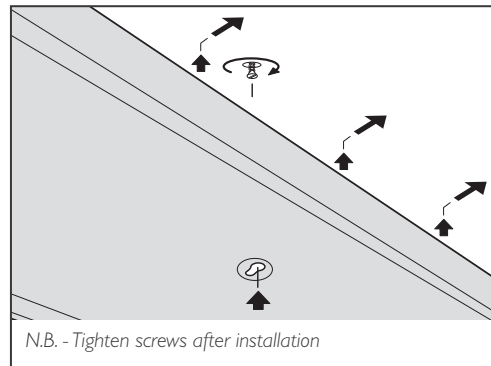


## Surface mounted modules

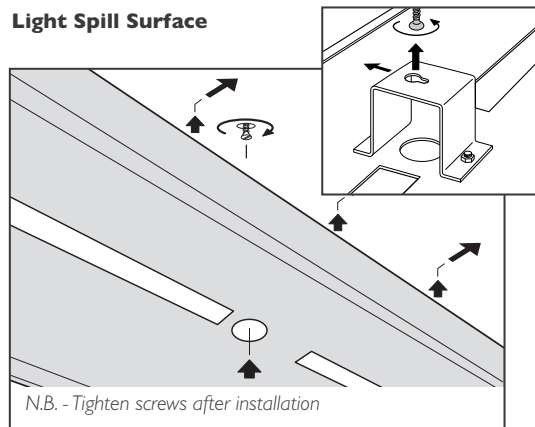
1



2 Surface

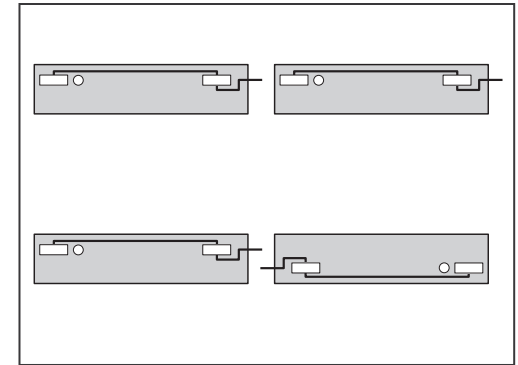


3 Light Spill Surface

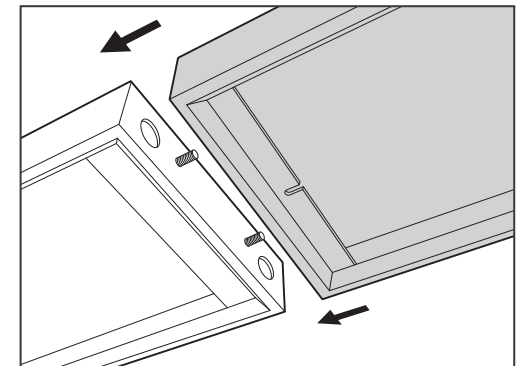


## Module to module

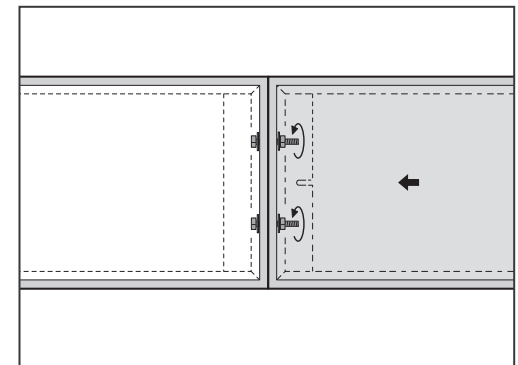
1



2

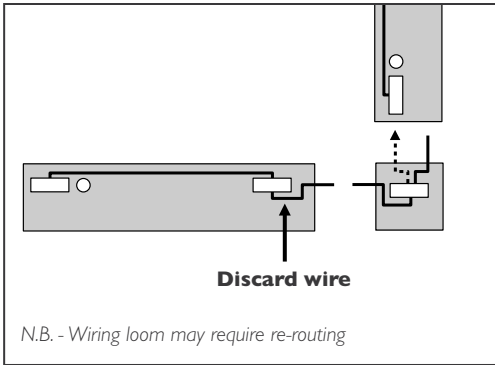


3



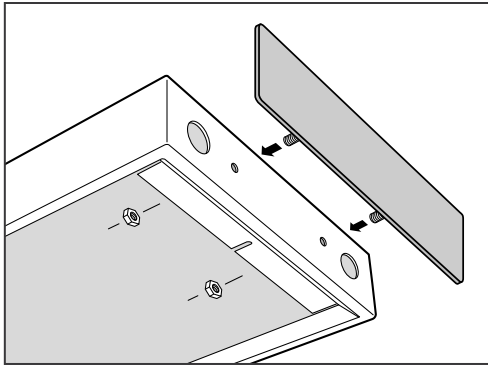
## Module to L, T and X connector

### 1 L Connector shown

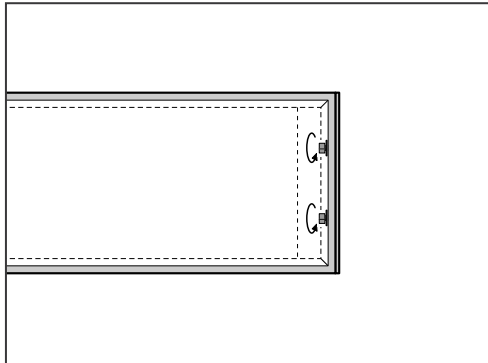


## Module to end cap

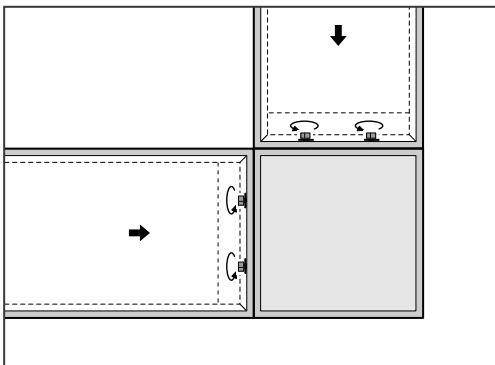
### 1



### 2

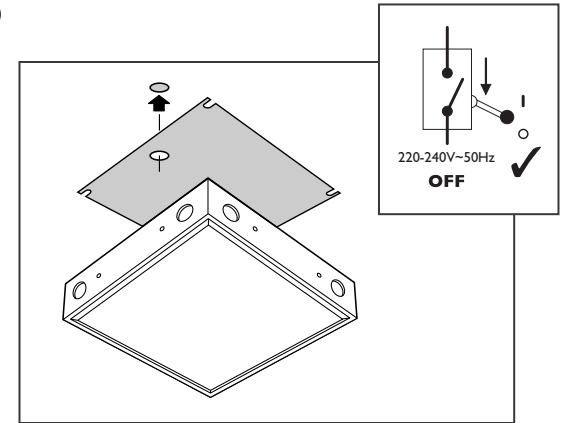


### 3

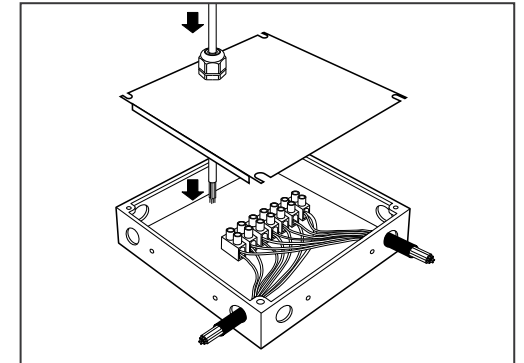


## Wiring in to L, T and X connector

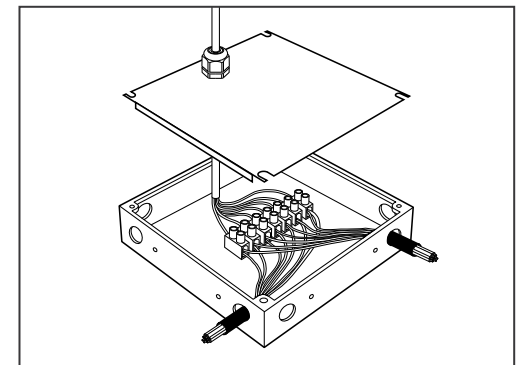
### 1



### 2

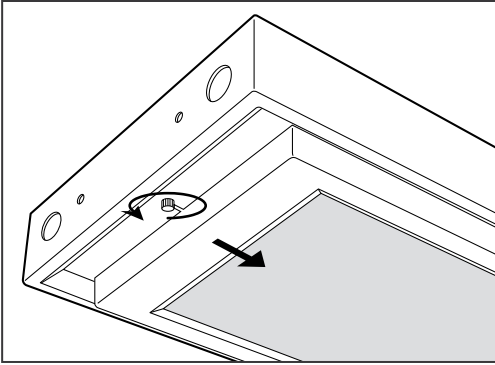


### 3

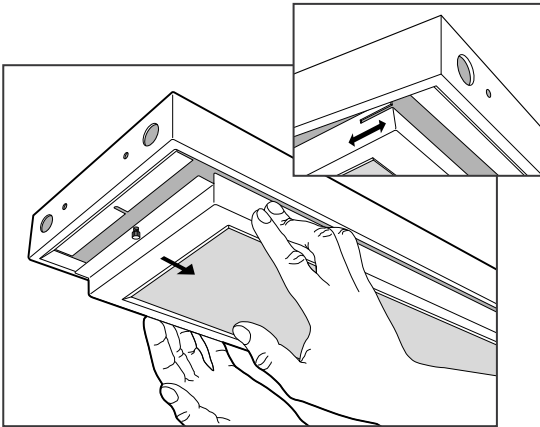


### Removing Fascia/Reflector

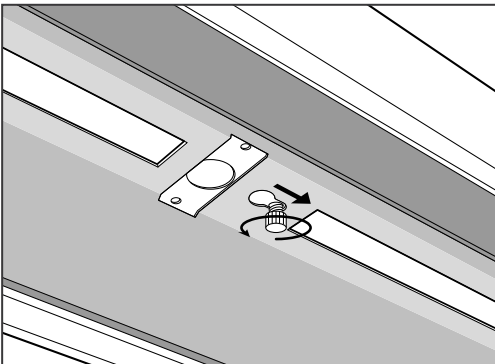
1



2

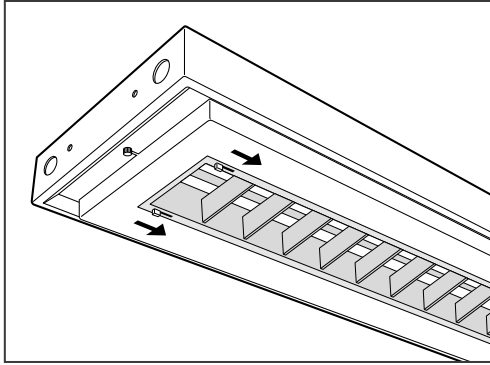


3

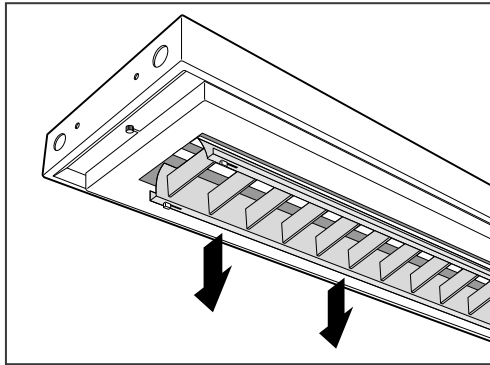


### Removing Louvre/Reflector

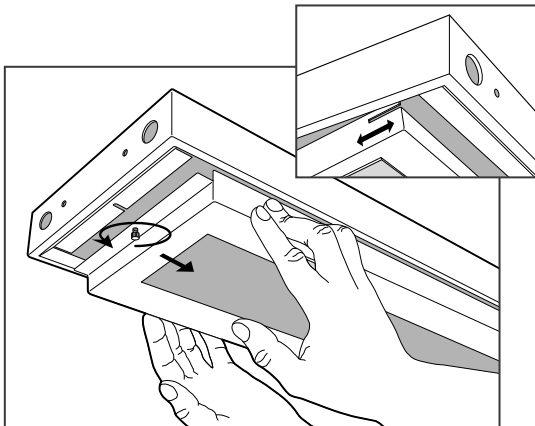
1



2

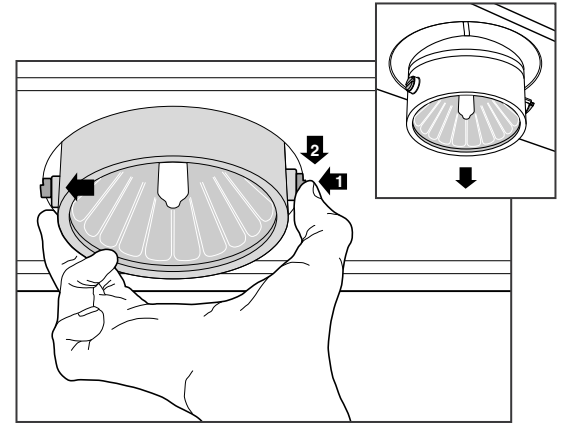


3

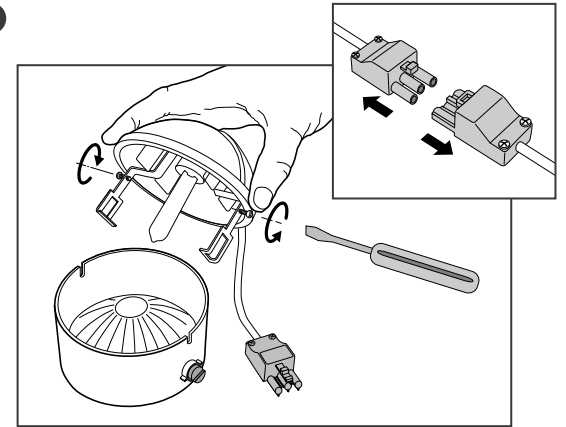


### Removing Elito head

1



2



3

