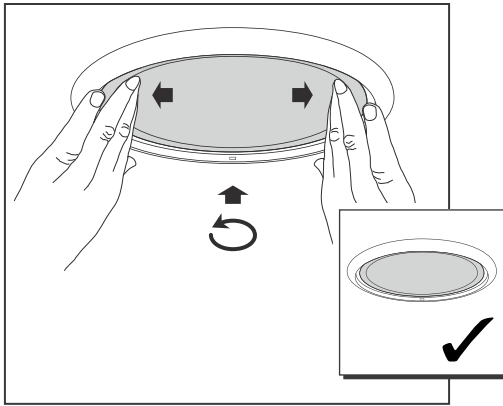


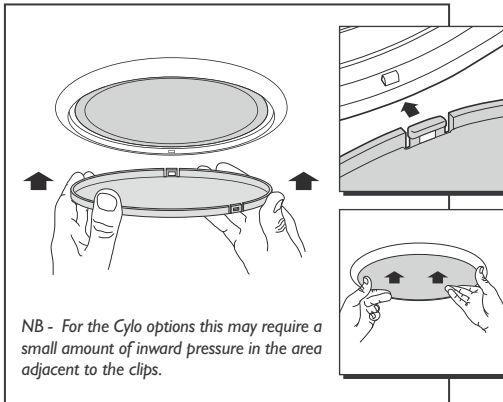
Installation Cont.

4

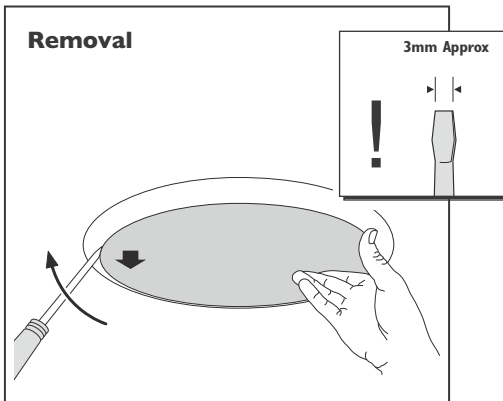


Attaching Diffuser Options

1

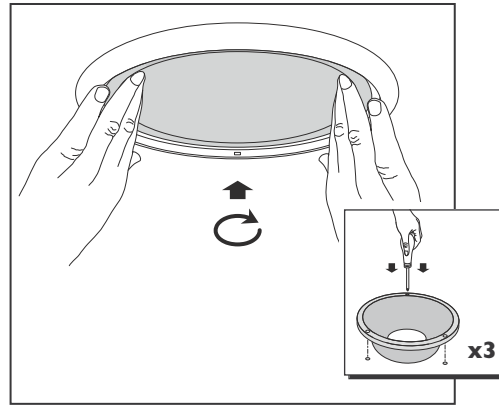


2

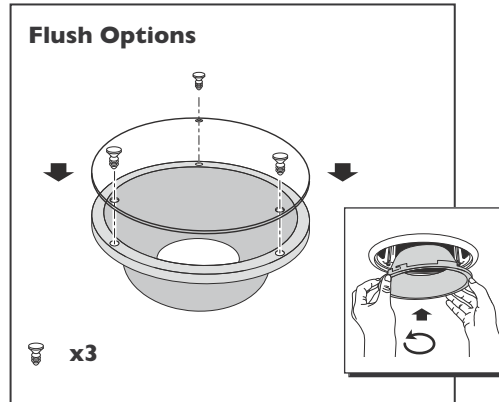


Attaching Flush/Floating Options

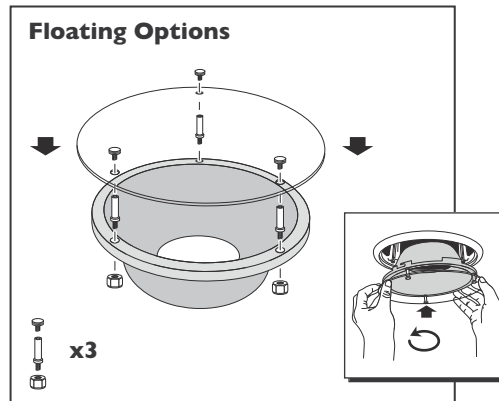
1



2a



2b



IMPORTANT INFORMATION

Soledo®



Disconnect electricity supply before installation.

To be installed by qualified personnel only.

When installing, we recommend wearing disposable gloves to avoid fingerprinting to the paint work of the luminaire.

Read leaflet fully before installation.

Lamps should be installed and used within the lamp manufacturers guidelines.

Hacel[®]
Fluent in Lighting

THE SILVERLINK, WALLSEND, NEWCASTLE UPON TYNE,
TYNE & WEAR, NE28 9ND

TECHNICAL: (0191) 280 9914

FAX: (0191) 263 0946

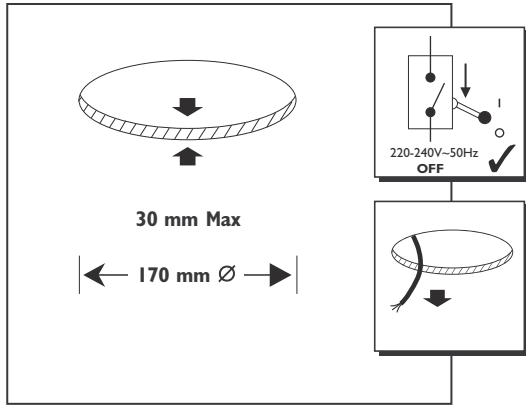
E-MAIL: technical@hacel.co.uk

WEB: www.hacel.co.uk

09/2015 77_0478

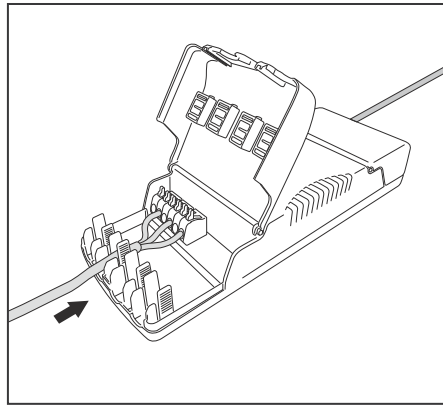
Preparation

1

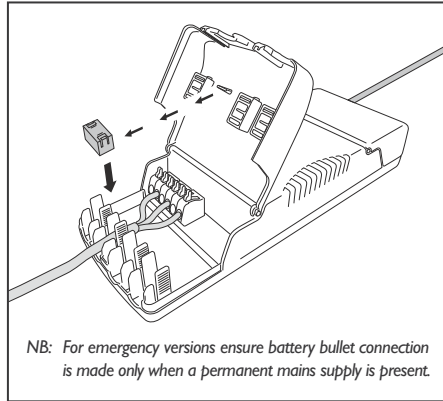


Wiring

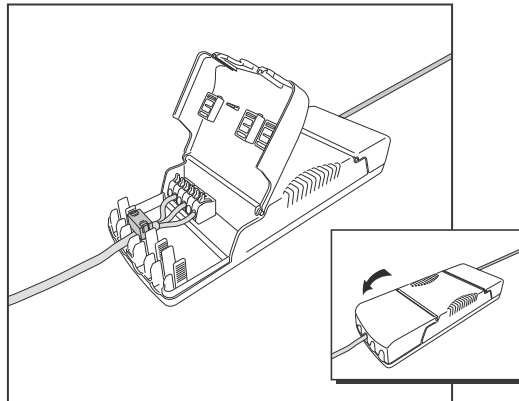
1



2

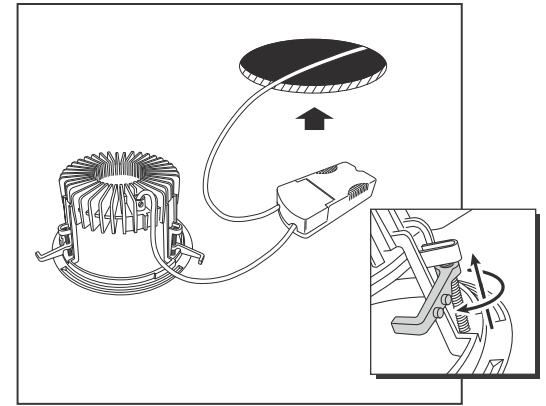


3

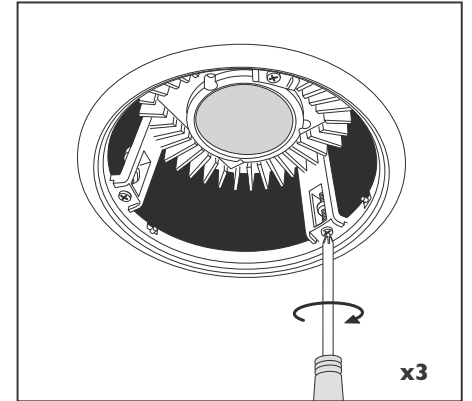


Installation

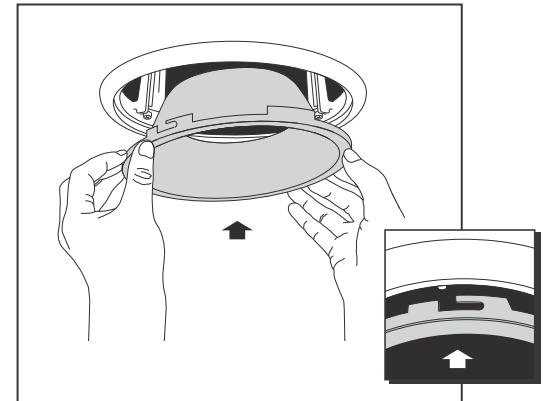
1



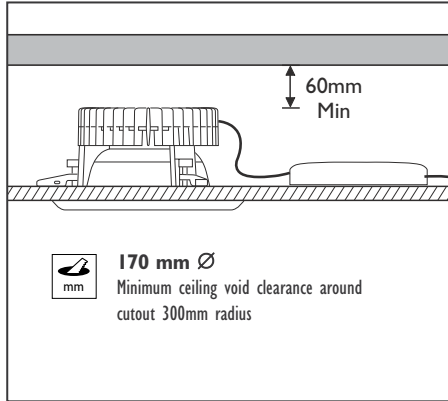
2



3



2



3

